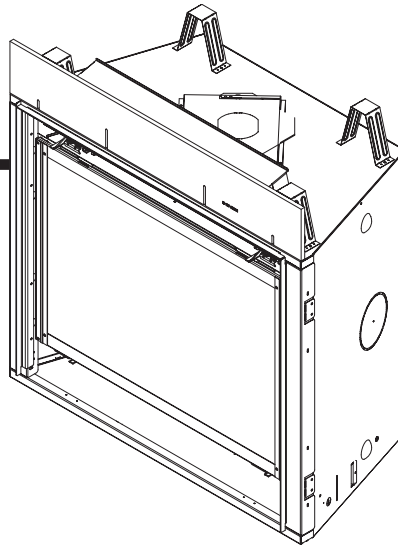


Models:
6000C
6000C-LP
6000C-IPI
6000C-IPILP
8000C
8000C-LP
8000C-IPI
8000C-IPILP



GAS-FIRED



NOTICE



DO NOT DISCARD THIS MANUAL

- Important operating and maintenance instructions included.
- Read, understand and follow these instructions for safe installation and operation.
- Leave this manual with party responsible for use and operation.

**DO NOT
DISCARD**

⚠ WARNING: If the information in these instructions is not followed exactly, a fire or explosion may result causing property damage, personal injury, or death.

- **DO NOT** store or use gasoline or other flammable vapors and liquids in the vicinity of this or any other appliance.
- **What to do if you smell gas**
 - **DO NOT** try to light any appliance.
 - **DO NOT** touch any electrical switch. **DO NOT** use any phone in your building.
 - Immediately call your gas supplier from a neighbor's phone. Follow the gas supplier's instructions.
 - If you cannot reach your gas supplier, call the fire department.
- Installation and service must be performed by a qualified installer, service agency, or the gas supplier.

This appliance may be installed as an OEM installation in manufactured home (USA only) or mobile home and must be installed in accordance with the manufacturer's instructions and the manufactured home construction and safety standard, *Title 24 CFR, Part 3280* or *Standard for Installation in Mobile Homes, CAN/CSA Z240MH*, in Canada.

This appliance is only for use with the type(s) of gas indicated on the rating plate.

⚠ WARNING



HOT SURFACES!

Glass and other surfaces are hot during operation AND cool down.

Hot glass will cause burns.

- **DO NOT** touch glass until it is cooled
 - NEVER allow children to touch glass
 - Keep children away
 - CAREFULLY SUPERVISE children in same room as fireplace.
 - Alert children and adults to hazards of high temperatures.
- High temperatures may ignite clothing or other flammable materials.**
- Keep clothing, furniture, draperies and other flammable materials away.

This appliance has been supplied with an integral barrier to prevent direct contact with the fixed glass panel. DO NOT operate the appliance with the barrier removed.

Contact your dealer or Hearth & Home Technologies if the barrier is not present or help is needed to properly install one.

In the Commonwealth of Massachusetts installation must be performed by a licensed plumber or gas fitter.

See Table of Contents for location of additional Commonwealth of Massachusetts requirements.



Installation and service of this appliance should be performed by qualified personnel. Hearth & Home Technologies suggests NFI certified or factory trained professionals, or technicians supervised by an NFI certified professional.

Read this manual before installing or operating this appliance.
Please retain this owner's manual for future reference.

A. Congratulations

Congratulations on selecting a Heat & Glo gas fireplace, an elegant and clean alternative to wood burning fireplaces. The Heat & Glo gas fireplace you have selected is designed to provide the utmost in safety, reliability, and efficiency.

As the owner of a new fireplace, you'll want to read and carefully follow all of the instructions contained in this owner's manual. Pay special attention to all cautions and warnings.

This owner's manual should be retained for future reference. We suggest that you keep it with your other important documents and product manuals.


The information contained in this owner's manual, unless noted otherwise, applies to all models and gas control systems.

Your new Heat & Glo gas fireplace will give you years of durable use and trouble-free enjoyment. Welcome to the Heat & Glo family of fireplace products!

| | |
|--|---|
| Homeowner Reference Information | <i>We recommend that you record the following pertinent information about your fireplace.</i> |
| Model Name: _____ | Date purchased/installed: _____ |
| Serial Number: _____ | Location on fireplace: _____ |
| Dealership purchased from: _____ | Dealer Phone: _____ |
| Notes: _____ | |
| _____ | |


Listing Label Information/Location

The model information regarding your specific fireplace can be found on the rating plate usually located in the control area of the fireplace.



Heat & Glo, a brand of Hearth & Home Technologies, Inc.
7571 215th Street West, Lakeville, MN 55044

GAS-FIRED



Not for use with solid fuel.
(Ne doit pas être utilisé avec un combustible solide).

Type of Gas (Sorte De Gaz): **NATURAL GAS** This appliance must be installed in accordance with local codes, if any; if not, follow ANSI Z223.1 in the USA or CAN/CGA B149 installation codes. *(Installer l'appareil selon les codes ou règlements locaux ou, en l'absence de tels règlements, selon les codes d'installation CAN/CGA-B149.)*

ANSI Z21XX-XXXX · CSA 2.XX-MXX · UL307B

Minimum Permissible Gas Supply for Purposes of Input Adjustment.

| | | |
|--------------------------------------|-------------|------------------|
| Approved Minimum (De Gaz) Acceptable | 0.0 in w.c. | (Po. Col. d'eau) |
| Maximum Pressure (Pression) | 0.0 in w.c. | (Po. Col. d'eau) |
| Maximum Manifold Pressure (Pression) | 0.0 in w.c. | (Po. Col. d'eau) |
| Minimum Manifold Pressure (Pression) | 0.0 in w.c. | (Po. Col. d'eau) |

Total Electrical Requirements: 000Vac, 00Hz., less than 00 Amperes

MADE IN USA

| | | |
|------------------|-------------------------|------------------|
| ALTITUDE: | 0-0000 FT. 0000-0000FT. | Model: XXXXXXXX |
| MAX. INPUT BTUH: | 00,000 00,000 | (Modele): _____ |
| MIN. INPUT BTUH: | 00,000 00,000 | Serial: XXXXXXXX |
| ORIFICE SIZE: | #XXXXX #XXXXX | (Serie): _____ |

Type of Gas →

Gas and Electric Information →

Model Number →

Serial Number →

▲ Safety Alert Key:

- **DANGER!** Indicates a hazardous situation which, if not avoided will result in death or serious injury.
- **WARNING!** Indicates a hazardous situation which, if not avoided could result in death or serious injury.
- **CAUTION!** Indicates a hazardous situation which, if not avoided, could result in minor or moderate injury.
- **NOTICE:** Used to address practices not related to personal injury.

Table of Contents

| | |
|--|---|
| A. Congratulations | 2 |
| B. Limited Lifetime Warranty | 5 |

1 Listing and Code Approvals

| | |
|---|---|
| A. Appliance Certification | 7 |
| B. Tempered Glass Specifications | 7 |
| C. BTU Specifications | 7 |
| D. High Altitude Installations | 7 |
| E. Non-Combustible Materials Specification | 8 |
| F. Combustible Materials Specification | 8 |
| G. Electrical Codes | 8 |
| H. Requirements for the Commonwealth of Massachusetts | 9 |

User Guide

2 Operating Instructions

| | |
|---|----|
| A. Gas Fireplace Safety | 10 |
| B. Your Fireplace | 10 |
| C. Fan Kit (optional) | 11 |
| D. Clear Space | 11 |
| E. Decorative Doors and Fronts | 11 |
| F. Fixed Glass Assembly | 11 |
| G. Remote Controls, Wall Controls and Wall Switches | 11 |
| H. IPI Battery Tray/Battery Installation | 12 |
| I. Control Module Operation | 12 |
| J. Before Lighting Fireplace | 12 |
| K. Lighting Instructions (IPI) | 13 |
| L. Lighting Instructions (Standing Pilot) | 14 |
| M. After Fireplace is Lit | 15 |
| N. Frequently Asked Questions | 15 |

3 Maintenance and Service

| | |
|---|----|
| A. Maintenance Tasks-Homeowner | 16 |
| B. Maintenance Tasks-Qualified Service Technician | 17 |
| C. Refractory, Grate and Valve Assembly Removal | 18 |
| D. Burner Identification/Verification | 19 |

Installer Guide

4 Getting Started

| | |
|---|----|
| A. Typical Appliance System | 20 |
| B. Design and Installation Considerations | 21 |
| C. Tools and Supplies Needed | 21 |
| D. Inspect Appliance and Components | 21 |

5 Framing and Clearances

| | |
|---|----|
| A. Selecting Appliance Location | 22 |
| B. Constructing the Appliance Chase | 23 |
| C. Clearances | 23 |
| D. Mantel and Wall Projections | 24 |

6 Termination Locations

| | |
|--|----|
| A. Vent Termination Minimum Clearances | 25 |
|--|----|

7 Vent Information and Diagrams

| | |
|----------------------------------|----|
| A. Approved Pipe | 27 |
| B. Vent Table Key | 27 |
| C. Use of Elbows | 27 |
| D. Measuring Standards | 27 |
| E. Vent Diagrams | 28 |

8 Vent Clearances and Framing

| | |
|---|----|
| A. Pipe Clearances to Combustibles | 39 |
| B. Wall Penetration Framing | 39 |
| C. Install the Ceiling Firestop | 40 |
| D. Install Attic Insulation Shield | 41 |
| E. Installing the Optional Heat-Zone® Gas Kit | 41 |

9 Appliance Preparation

| | |
|---|----|
| A. Top Vent | 42 |
| B. Rear Vent | 43 |
| C. Installing the Non-combustible Board | 44 |
| D. Securing and Leveling the Appliance | 44 |

10 Installing Vent Pipe (DVP and SLP Pipe)

| | |
|--|----|
| A. Assemble Vent Sections (DVP Pipe Only) | 45 |
| B. Assemble Vent Sections (SLP Pipe Only) | 46 |
| C. Assemble Slip Sections | 46 |
| D. Secure the Vent Sections | 47 |
| E. Disassemble Vent Sections | 47 |
| F. Install Decorative Ceiling Components (SLP only) | 48 |
| G. Install Metal Roof Flashing | 49 |
| H. Assemble and Install Storm Collar | 49 |
| I. Install Vertical Termination Cap | 50 |
| J. Install Decorative Wall Components (SLP only) | 50 |
| K. Heat Shield Requirements for Horizontal Termination | 50 |
| L. Install Horizontal Termination Cap (DVP and SLP Pipe) | 51 |

11 Gas Information

| | |
|--|----|
| A. Fuel Conversion | 52 |
| B. Gas Pressure | 52 |
| C. Gas Connection | 52 |
| D. High Altitude Installations | 52 |

12 Electrical Information

| | |
|---|----|
| A. Wiring Requirements | 53 |
| B. IntelliFire Plus™ Ignition System Wiring | 53 |
| C. Standing Pilot Ignition System Wiring | 53 |
| D. Optional Accessories Requirements | 53 |
| E. Electrical Service and Repair | 55 |

| | |
|--|----|
| F. Junction Box Installation | 55 |
| G. Wall Switch Installation for Fan (Optional) | 55 |

13 Finishing

| | |
|--|----|
| A. Mantel and Wall Projections | 56 |
| B. Facing Material | 56 |
| C. Doors | 57 |
| D. Elevated Hearth Systems | 60 |

14 Appliance Setup

| | |
|--|----|
| A. Remove Fixed Glass Assembly | 61 |
| B. Remove the Shipping Materials | 61 |
| C. Clean the Appliance | 61 |
| D. Accessories | 61 |
| → E. Burner Top Installation | 61 |
| F. Ember Placement | 61 |
| G. Install the Log Assembly | 62 |
| H. Fixed Glass Assembly | 66 |
| I. Install Trim and/or Surround | 66 |
| J. Air Shutter Setting | 66 |

15 Troubleshooting

| | |
|--|----|
| A. Standing Pilot Ignition System | 67 |
| B. IntelliFire Plus™ Ignition System | 69 |

16 Reference Materials

| | |
|--|----|
| A. Appliance Dimension Diagram | 70 |
| → B. Vent Components Diagrams | 72 |
| → C. Service Parts | 81 |
| D. Contact Information | 86 |

→ = Contains updated information.

B. Limited Lifetime Warranty

Hearth & Home Technologies Inc. LIMITED LIFETIME WARRANTY

Hearth & Home Technologies Inc., on behalf of its hearth brands ("HHT"), extends the following warranty for HHT gas, wood, pellet, coal and electric hearth appliances that are purchased from an HHT authorized dealer.

WARRANTY COVERAGE:

HHT warrants to the original owner of the HHT appliance at the site of installation, and to any transferee taking ownership of the appliance at the site of installation within two years following the date of original purchase, that the HHT appliance will be free from defects in materials and workmanship at the time of manufacture. After installation, if covered components manufactured by HHT are found to be defective in materials or workmanship during the applicable warranty period, HHT will, at its option, repair or replace the covered components. HHT, at its own discretion, may fully discharge all of its obligations under such warranties by replacing the product itself or refunding the verified purchase price of the product itself. The maximum amount recoverable under this warranty is limited to the purchase price of the product. This warranty is subject to conditions, exclusions and limitations as described below.

WARRANTY PERIOD:

Warranty coverage begins on the date of original purchase. In the case of new home construction, warranty coverage begins on the date of first occupancy of the dwelling or six months after the sale of the product by an independent, authorized HHT dealer/ distributor, whichever occurs earlier. The warranty shall commence no later than 24 months following the date of product shipment from HHT, regardless of the installation or occupancy date. The warranty period for parts and labor for covered components is produced in the following table.

The term "Limited Lifetime" in the table below is defined as: 20 years from the beginning date of warranty coverage for gas appliances, and 10 years from the beginning date of warranty coverage for wood, pellet, and coal appliances. These time periods reflect the minimum expected useful lives of the designated components under normal operating conditions.

| Warranty Period | | HHT Manufactured Appliances and Venting | | | | | | | Components Covered |
|------------------|---------|---|------|--------|----------|------|----------|---------|--|
| Parts | Labor | Gas | Wood | Pellet | EPA Wood | Coal | Electric | Venting | |
| 1 Year | | X | X | X | X | X | X | X | All parts and material except as covered by Conditions, Exclusions, and Limitations listed |
| 2 years | | | | X | X | X | | | Igniters, electronic components, and glass |
| | | X | X | X | X | X | | | Factory-installed blowers |
| | | | | X | | | | | Molded refractory panels |
| 3 years | | | | X | | | | | Firepots and burnpots |
| 5 years | 1 year | | | X | X | | | | Castings and baffles |
| 7 years | 3 years | | X | X | X | | | | Manifold tubes, HHT chimney and termination |
| 10 years | 1 year | X | | | | | | | Burners, logs and refractory |
| Limited Lifetime | 3 years | X | X | X | X | X | | | Firebox and heat exchanger |
| 90 Days | | X | X | X | X | X | X | X | All replacement parts beyond warranty period |

See conditions, exclusions, and limitations on next page.

B. Limited Lifetime Warranty (*continued*)

WARRANTY CONDITIONS:

- This warranty only covers HHT appliances that are purchased through an HHT authorized dealer or distributor. A list of HHT authorized dealers is available on the HHT branded websites.
- This warranty is only valid while the HHT appliance remains at the site of original installation.
- Contact your installing dealer for warranty service. If the installing dealer is unable to provide necessary parts, contact the nearest HHT authorized dealer or supplier. Additional service fees may apply if you are seeking warranty service from a dealer other than the dealer from whom you originally purchased the product.
- Check with your dealer in advance for any costs to you when arranging a warranty call. Travel and shipping charges for parts are not covered by this warranty.

WARRANTY EXCLUSIONS:

This warranty does not cover the following:

- Changes in surface finishes as a result of normal use. As a heating appliance, some changes in color of interior and exterior surface finishes may occur. This is not a flaw and is not covered under warranty.
- Damage to printed, plated, or enameled surfaces caused by fingerprints, accidents, misuse, scratches, melted items, or other external sources and residues left on the plated surfaces from the use of abrasive cleaners or polishes.
- Repair or replacement of parts that are subject to normal wear and tear during the warranty period. These parts include: paint, wood, pellet and coal gaskets, firebricks, grates, flame guides, light bulbs, batteries and the discoloration of glass.
- Minor expansion, contraction, or movement of certain parts causing noise. These conditions are normal and complaints related to this noise are not covered by this warranty.
- Damages resulting from: (1) failure to install, operate, or maintain the appliance in accordance with the installation instructions, operating instructions, and listing agent identification label furnished with the appliance; (2) failure to install the appliance in accordance with local building codes; (3) shipping or improper handling; (4) improper operation, abuse, misuse, continued operation with damaged, corroded or failed components, accident, or improperly/incorrectly performed repairs; (5) environmental conditions, inadequate ventilation, negative pressure, or drafting caused by tightly sealed constructions, insufficient make-up air supply, or handling devices such as exhaust fans or forced air furnaces or other such causes; (6) use of fuels other than those specified in the operating instructions; (7) installation or use of components not supplied with the appliance or any other components not expressly authorized and approved by HHT; (8) modification of the appliance not expressly authorized and approved by HHT in writing; and/or (9) interruptions or fluctuations of electrical power supply to the appliance.
- Non-HHT venting components, hearth components or other accessories used in conjunction with the appliance.
- Any part of a pre-existing fireplace system in which an insert or a decorative gas appliance is installed.
- HHT's obligation under this warranty does not extend to the appliance's capability to heat the desired space. Information is provided to assist the consumer and the dealer in selecting the proper appliance for the application. Consideration must be given to appliance location and configuration, environmental conditions, insulation and air tightness of the structure.

This warranty is void if:

- The appliance has been over-fired or operated in atmospheres contaminated by chlorine, fluorine, or other damaging chemicals. Over-firing can be identified by, but not limited to, warped plates or tubes, rust colored cast iron, bubbling, cracking and discoloration of steel or enamel finishes.
- The appliance is subjected to prolonged periods of dampness or condensation.
- There is any damage to the appliance or other components due to water or weather damage which is the result of, but not limited to, improper chimney or venting installation.

LIMITATIONS OF LIABILITY:

- The owner's exclusive remedy and HHT's sole obligation under this warranty, under any other warranty, express or implied, or in contract, tort or otherwise, shall be limited to replacement, repair, or refund, as specified above. In no event will HHT be liable for any incidental or consequential damages caused by defects in the appliance. Some states do not allow exclusions or limitation of incidental or consequential damages, so these limitations may not apply to you. This warranty gives you specific rights; you may also have other rights, which vary from state to state. EXCEPT TO THE EXTENT PROVIDED BY LAW, HHT MAKES NO EXPRESS WARRANTIES OTHER THAN THE WARRANTY SPECIFIED HEREIN. THE DURATION OF ANY IMPLIED WARRANTY IS LIMITED TO DURATION OF THE EXPRESSED WARRANTY SPECIFIED ABOVE.

1 Listing and Code Approvals

A. Appliance Certification

MODELS: 6000C, 6000C-IPI, 8000C, 8000C-IPI
LABORATORY: Underwriters Laboratories, Inc. (UL)
TYPE: Direct Vent Gas Appliance Heater
STANDARD: ANSI Z21.88b-2008 • CSA 2.33a-2008

This product is listed to ANSI standards for “Vented Gas Appliance Heaters” and applicable sections of “Gas Burning Heating Appliances for Manufactured Homes and Recreational Vehicles”, and “Gas Fired Appliances for Use at High Altitudes”.

NOTICE: *This installation must conform with local codes. In the absence of local codes you must comply with the National Fuel Gas Code, ANSI Z223.1-latest edition in the U.S.A. and the CAN/CGA B149 Installation Codes in Canada.*

NOT INTENDED FOR USE AS A PRIMARY HEAT SOURCE.
 This appliance is tested and approved as either supplemental room heat or as a decorative appliance. It should not be factored as primary heat in residential heating calculations.

B. Tempered Glass Specifications

Hearth & Home Technologies appliances manufactured with tempered glass may be installed in hazardous locations such as bathtub enclosures as defined by the Consumer Product Safety Commission (CPSC). The tempered glass has been tested and certified to the requirements of **ANSI Z97.1** and **CPSC 16 CFR 1202** (Safety Glazing Certification Council **SGCC# 1595** and **1597**. Architectural Testing, Inc. Reports **02-31919.01** and **02-31917.01**).

This statement is in compliance with **CPSC 16 CFR Section 1201.5** “Certification and labeling requirements” which refers to **15 U.S. Code (USC) 2063** stating “...Such certificate shall accompany the product or shall otherwise be furnished to any distributor or retailer to whom the product is delivered.”

Some local building codes require the use of tempered glass with permanent marking in such locations. Glass meeting this requirement is available from the factory. Please contact your dealer or distributor to order.

C. BTU Specifications

| Models (U.S. or Canada) | Maximum Input BTU/h | Minimum Input BTU/h | Orifice Size (DMS) | |
|------------------------------|--------------------------|------------------------|--------------------------|----|
| 6000C (NG) 6000C-IPI (NG) | US (0-2000 FT) | 30,000 | 16,000 | 37 |
| | CANADA (2000-4500 FT) | 27,000 | 14,400 | 38 |
| 6000C-LP 6000C-IPILP | US (0-2000 FT) | 29,000 | 17,000 | 52 |
| | CANADA (2000-4500 FT) | 26,100 | 15,300 | 53 |
| 8000C (NG) 8000C-IPI (NG) | US (0-2000 FT) | 35,000 | 19,000 | 33 |
| | CANADA (2000-4500 FT) | 31,500 | 17,100 | 34 |
| 8000C-LP 8000C-IPILP | US (0-2000 FT) | 34,000 | 17,000 | 50 |
| | CANADA (2000-4500 FT) | 30,600 | 15,300 | 51 |

D. High Altitude Installations

NOTICE: *If the heating value of the gas has been reduced, these rules do not apply. Check with your local gas utility or authorities having jurisdiction.*

When installing above 2000 feet elevation:

- In the USA: Reduce input rate 4% for each 1000 feet above 2000 feet.
- In CANADA: Reduce input rate 10% for elevations between 2000 feet and 4500 feet. Above 4500 feet, consult local gas utility.

Check with your local gas utility to determine proper orifice size.

E. Non-Combustible Materials Specification

Material which will not ignite and burn. Such materials are those consisting entirely of steel, iron, brick, tile, concrete, slate, glass or plasters, or any combination thereof.

Materials that are reported as passing **ASTM E 136, Standard Test Method for Behavior of Materials in a Vertical Tube Furnace at 750 °C** and **UL763** shall be considered non-combustible materials.

F. Combustible Materials Specification

Materials made of or surfaced with wood, compressed paper, plant fibers, plastics, or other material that can ignite and burn, whether flame proofed or not, or plastered or unplastered shall be considered combustible materials.

G. Electrical Codes

NOTICE: *This appliance must be electrically wired and grounded in accordance with local codes or, in the absence of local codes, with **National Electric Code ANSI/NFPA 70-latest edition** or the **Canadian Electric Code CSA C22.1**.*

- A 110-120 VAC circuit for this product must be protected with ground-fault circuit-interrupter protection, in compliance with the applicable electrical codes, when it is installed in locations such as in bathrooms or near sinks.

Note: The following requirements reference various Massachusetts and national codes not contained in this document.

H. Requirements for the Commonwealth of Massachusetts

For all side wall horizontally vented gas fueled equipment installed in every dwelling, building or structure used in whole or in part for residential purposes, including those owned or operated by the Commonwealth and where the side wall exhaust vent termination is less than seven (7) feet above finished grade in the area of the venting, including but not limited to decks and porches, the following requirements shall be satisfied:

Installation of Carbon Monoxide Detectors

At the time of installation of the side wall horizontal vented gas fueled equipment, the installing plumber or gas fitter shall observe that a hard wired carbon monoxide detector with an alarm and battery back-up is installed on the floor level where the gas equipment is to be installed. In addition, the installing plumber or gas fitter shall observe that a battery operated or hard wired carbon monoxide detector with an alarm is installed on each additional level of the dwelling, building or structure served by the side wall horizontal vented gas fueled equipment. It shall be the responsibility of the property owner to secure the services of qualified licensed professionals for the installation of hard wired carbon monoxide detectors.

In the event that the side wall horizontally vented gas fueled equipment is installed in a crawl space or an attic, the hard wired carbon monoxide detector with alarm and battery back-up may be installed on the next adjacent floor level.

In the event that the requirements of this subdivision can not be met at the time of completion of installation, the owner shall have a period of thirty (30) days to comply with the above requirements; provided, however, that during said thirty (30) day period, a battery operated carbon monoxide detector with an alarm shall be installed.

Approved Carbon Monoxide Detectors

Each carbon monoxide detector as required in accordance with the above provisions shall comply with NFPA 720 and be ANSI/UL 2034 listed and IAS certified.

Signage

A metal or plastic identification plate shall be permanently mounted to the exterior of the building at a minimum height of eight (8) feet above grade directly in line with the exhaust vent terminal for the horizontally vented gas fueled heating appliance or equipment. The sign shall read, in print size no less than one-half (1/2) in. in size, "**GAS VENT DIRECTLY BELOW. KEEP CLEAR OF ALL OBSTRUCTIONS**".

Inspection

The state or local gas inspector of the side wall horizontally vented gas fueled equipment shall not approve the installation unless, upon inspection, the inspector observes carbon monoxide detectors and signage installed in accordance with the provisions of 248 CMR 5.08(2)(a)1 through 4.

Exemptions

The following equipment is exempt from 248 CMR 5.08(2)(a)1 through 4:

- The equipment listed in Chapter 10 entitled "Equipment Not Required To Be Vented" in the most current edition of NFPA 54 as adopted by the Board; and
- Product Approved side wall horizontally vented gas fueled equipment installed in a room or structure separate from the dwelling, building or structure used in whole or in part for residential purposes.

MANUFACTURER REQUIREMENTS

Gas Equipment Venting System Provided

When the manufacturer of Product Approved side wall horizontally vented gas equipment provides a venting system design or venting system components with the equipment, the instructions provided by the manufacturer for installation of the equipment and the venting system shall include:

- Detailed instructions for the installation of the venting system design or the venting system components; and
- A complete parts list for the venting system design or venting system.

Gas Equipment Venting System NOT Provided

When the manufacturer of a Product Approved side wall horizontally vented gas fueled equipment does not provide the parts for venting the flue gases, but identifies "special venting systems", the following requirements shall be satisfied by the manufacturer:

- The referenced "special venting system" instructions shall be included with the appliance or equipment installation instructions; and
- The "special venting systems" shall be Product Approved by the Board, and the instructions for that system shall include a parts list and detailed installation instructions.

A copy of all installation instructions for all Product Approved side wall horizontally vented gas fueled equipment, all venting instructions, all parts lists for venting instructions, and/or all venting design instructions shall remain with the appliance or equipment at the completion of the installation.

See Gas Connection section for additional Commonwealth of Massachusetts requirements.

A. Gas Fireplace Safety

⚠ WARNING



HOT SURFACES!

Glass and other surfaces are hot during operation AND cool down.

Hot glass will cause burns.

- DO NOT touch glass until it is cooled
- NEVER allow children to touch glass
- Keep children away

- CAREFULLY SUPERVISE children in same room as fireplace.
- Alert children and adults to hazards of high temperatures.

High temperatures may ignite clothing or other flammable materials.

- Keep clothing, furniture, draperies and other flammable materials away.

This appliance has been supplied with an integral barrier to prevent direct contact with the fixed glass panel. DO NOT operate the appliance with the barrier removed.

Contact your dealer or Hearth & Home Technologies if the barrier is not present or help is needed to properly install one.

If you expect that small children or vulnerable adults may come into contact with this fireplace, the following precautions are recommended:

- Install a physical barrier such as:
 - A decorative firescreen.
 - Adjustable safety gate.
- Install a switch lock or a wall/remote control with child protection lockout feature.

- Keep remote controls out of reach of children.
- Never leave children alone near a hot fireplace, whether operating or cooling down.
- Teach children to NEVER touch the fireplace.
- Consider not using the fireplace when children will be present.

Contact your dealer for more information, or visit: www.hpba.org/safety-information.

To prevent unintended operation when not using your fireplace for an extended period of time (summer months, vacations, trips, etc):

- Remove batteries from remote controls.
- Turn off wall controls.
- Unplug 6 volt transformer plug and remove batteries on IPI models.
- Turn off gas controls valve on standing pilot models.

When lighting the pilot light on fireplaces with a standing pilot, remove the fixed glass assembly so you can detect presence of residual gas build-up. See Standing Pilot Lighting instructions and Maintenance Tasks.

B. Your Fireplace

WARNING! DO NOT operate fireplace before reading and understanding operating instructions. Failure to operate fireplace according to operating instructions could cause fire or injury.

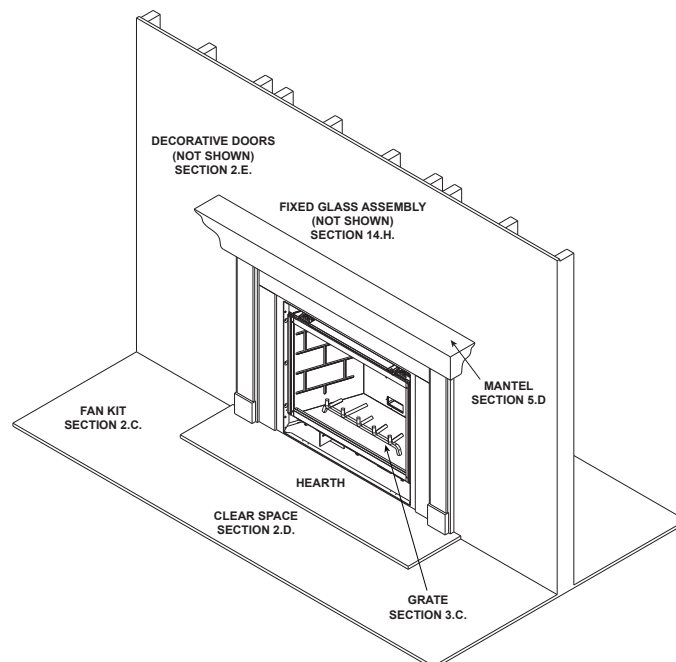


Figure 2.1 General Operating Parts

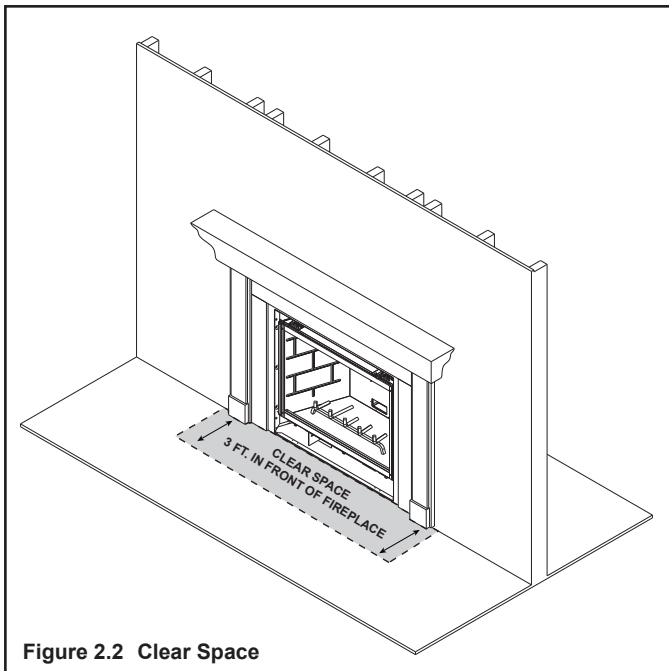
C. Fan Kit (optional)

If desired, a fan kit may be added. Contact your dealer to order the correct fan kit.

D. Clear Space

WARNING! DO NOT place combustible objects in front of the fireplace or block louvers. High temperatures may start a fire. See Figure 2.2.

Avoid placing candles and other heat-sensitive objects on mantel or hearth. Heat may damage these objects.



G. Remote Controls, Wall Controls and Wall Switches

Follow the instructions supplied with the control installed to operate your fireplace:

For safety:

- Install a switch lock or a wall/remote control with child protection lockout feature.
- Keep remote controls out of reach of children.

See your dealer if you have questions.

E. Decorative Doors and Fronts

WARNING! Risk of Fire! Install **ONLY** doors or fronts approved by Hearth & Home Technologies. Unapproved doors or fronts may cause fireplace to overheat.

This fireplace has been supplied with an integral barrier to prevent direct contact with the fixed glass panel. DO NOT operate the fireplace with the barrier removed.

Contact your dealer or Hearth & Home Technologies if the barrier is not present or help is needed to properly install one.

For more information refer to the instructions supplied with your decorative door or front.

F. Fixed Glass Assembly

See Section 14.H.

H. IPI Battery Tray/Battery Installation

The IntelliFire Plus™ system has a battery backup option. Battery longevity and performance will be affected by the service temperatures of this appliance.

NOTICE: Batteries should only be used as a power source in the event of an emergency such as an outage.

I. Control Module Operation

1. The control module has an ON/OFF/REMOTE selector switch that must be set. See Figure 2.3.

OFF Position: Appliance will ignore all power inputs and will not respond to any commands from a wall switch or remote. The unit should be in the OFF position during installation, service, battery installation, and in the event that the control goes into LOCK-OUT mode as a result of an error code.

ON Position: Appliance will ignite and run continuously in the HI flame setting, with no adjustment in flame output. This mode of operation is primarily used for initial installation or power outage operation with battery backup.

REMOTE Position: Appliance will initiate commands from an optional wired wall switch and/or the wireless remote (RC300).

2. If using a wired wall switch with the module in REMOTE mode, the flame output can be adjusted with the HI/LO selector switch on the module. See Figure 2.3. Note that the flame HI/LO selector switch will become inactive once an optional remote control (RC200/RC300) is programmed to the control module. Note that the control module will always ignite the fireplace on HI and remain so for the initial 10 seconds of operation. If the HI/LO is switched to the LO position, the flame output will automatically drop to the lowest setting after the flame has been established for 10 sec. After this 10 second period, the flame can be adjusted from HI to LO with the switch.
3. The control module has safety feature that automatically shuts down the fireplace after 9 hours of continuous operation without receiving a command from the remote.
4. If you intend to use both a wired wall switch and the RC300 remote control to operate your fireplace, the wall switch will override any commands given by the remote.

5. Module Reset

This module may lock-out under certain conditions. When this occurs, the appliance will not ignite or respond to commands. The module will go into lock-out mode by emitting three audible beeps, then continuously displaying a RED/GREEN error code at its status indicator LED.

- Check battery tray. Remove batteries if installed. Batteries should only be installed for use during power outages. See Section H.

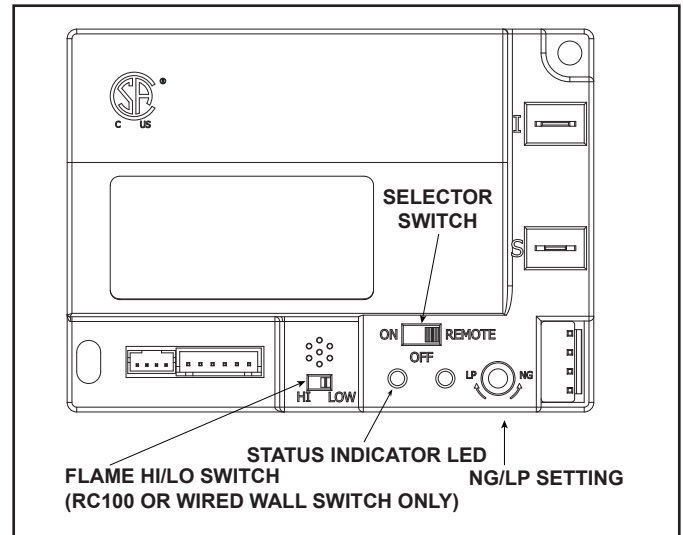


Figure 2.3 Control Module

- Locate the module selector switch. (See Figure 2.3).
- Set the module selector switch to the OFF position.
- Wait five (5) minutes to allow possible accumulated gas to clear.
- Set the module selector switch to the ON or REMOTE position.
- Start the appliance.

WARNING! Risk of Explosion! DO NOT reset the module more than one time within a five minute time period. Gas may accumulate in firebox. Call a qualified service technician.

Nine Hour Safety Shutdown Feature

This appliance has a safety feature that automatically shuts down the fireplace after 9 hours of continuous operation without receiving a command from the remote.

J. Before Lighting Fireplace

Before operating this fireplace for the first time, **have a qualified service technician:**

- Verify all shipping materials have been removed from inside and/or underneath the firebox.
- Review proper placement of logs, ember material and/or other decorative materials.
- Ensure plastic finishing strips have been removed after use for incorporating finishing materials.
- Check the wiring.
- Check the air shutter adjustment.
- Ensure that there are no gas leaks.
- Ensure that the glass is sealed and in the proper position and that the integral barrier is in place.

WARNING! Risk of Fire or Asphyxiation! DO NOT operate fireplace with fixed glass assembly removed.

K. Lighting Instructions (IPI)

FOR YOUR SAFETY READ BEFORE LIGHTING

WARNING: If you do not follow these instructions exactly, a fire or explosion may result causing property damage, personal injury or loss of life.

- A.** This appliance is equipped with an intermittent pilot ignition (IPI) device which automatically lights the burner. **DO NOT** try to light the burner by hand.
- B. BEFORE LIGHTING**, smell all around the appliance area for gas. Be sure to smell next to the floor because some gas is heavier than air and will settle on the floor.
- WHAT TO DO IF YOU SMELL GAS**
- **DO NOT** try to light any appliance.
 - **DO NOT** touch any electric switch; do not use any phone in your building.
- C. DO NOT** use this appliance if any part has been under water. Immediately call a qualified service technician to inspect the appliance and to replace any part of the control system and any gas control which has been under water.

WARNING:

DO NOT CONNECT LINE VOLTAGE (110/120 VAC OR 220/240 VAC) TO THE CONTROL VALVE.

Improper installation, adjustment, alteration, service or maintenance can cause injury or property damage. Refer to the owner's information manual provided with this appliance.

This appliance needs fresh air for safe operation and must be installed so there are provisions for adequate combustion and ventilation air.

If not installed, operated, and maintained in accordance with the manufacturer's instructions, this product could expose you to substances in fuel or fuel combustion which are known to the State of California to cause cancer, birth defects, or other reproductive harm.

Keep burner and control compartment clean. See installation and operating instructions accompanying appliance.

For additional information on operating your
Hearth & Home Technologies fireplace, please refer to www.fireplaces.com.

CAUTION:

Hot while in operation. **DO NOT** touch. Keep children, clothing, furniture, gasoline and other liquids having flammable vapors away.

DO NOT operate the appliance with fixed glass assembly removed, cracked or broken. Replacement of the fixed glass assembly should be done by a licensed or qualified service person.

NOT FOR USE WITH SOLID FUEL

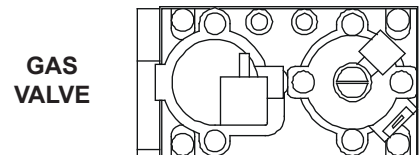
For use with natural gas and propane. A conversion kit, as supplied by the manufacturer, shall be used to convert this appliance to the alternate fuel.

Also Certified for Installation in a Bedroom or a Bedsitting Room.

For assistance or additional information, consult a qualified installer, service agency or the gas supplier.

LIGHTING INSTRUCTIONS (IPI)

1. This appliance is equipped with an ignition device which automatically lights the burner. **DO NOT** try to light the burner by hand.



2. Wait five (5) minutes to clear out any gas. Then smell for gas, including near the floor. If you smell gas, **STOP!** Follow "B" in the Safety Information located on the left side of this label. If you do not smell gas, go to next step.
3. To light the burner:
Equipped with wall switch: Turn ON/OFF switch to ON.
Equipped with remote or wall control: Press ON or FLAME button.
Equipped with thermostat: Set temperature to desired setting.
4. If the appliance does not light after three tries, call your service technician or gas supplier.

TO TURN OFF GAS TO APPLIANCE

1. Equipped with wall switch: Turn ON/OFF switch to OFF.
Equipped with remote or wall control: Press OFF button.
Equipped with thermostat: Set temperature to lowest setting.
2. Service technician should turn off electric power to the control when performing service.

593-913G

Final inspection by _____

L. Lighting Instructions (Standing Pilot)

FOR YOUR SAFETY READ BEFORE LIGHTING

WARNING: If you do not follow these instructions exactly, a fire or explosion may result causing property damage, personal injury or loss of life.

- A.** This appliance has a pilot which must be lighted by hand. When lighting the pilot, follow these instructions exactly.
- B. BEFORE LIGHTING,** smell all around the appliance area for gas. Be sure to smell next to the floor because some gas is heavier than air and will settle on the floor.
- WHAT TO DO IF YOU SMELL GAS**
- **DO NOT** try to light any appliance.
 - **DO NOT** touch any electric switch; do not use any phone in your building.
 - Immediately call your gas supplier from a neighbor's phone. Follow the gas supplier's instructions.
- C.** If you cannot reach your gas supplier, call the fire department.
- C.** Use only your hand to push in or turn the gas control knob. Never use tools. If the knob will not push in or turn by hand, **DO NOT** try to repair it, call a qualified service technician. Force or attempted repair may result in a fire or explosion.
- D. DO NOT** use this appliance if any part has been under water. Immediately call a qualified service technician to inspect the appliance and to replace any part of the control system and any gas control which has been under water.

WARNING:

DO NOT CONNECT 110 VAC TO THE CONTROL VALVE.

Improper installation, adjustment, alteration, service or maintenance can cause injury or property damage. Refer to the owner's information manual provided with this appliance.

This appliance needs fresh air for safe operation and must be installed so there are provisions for adequate combustion and ventilation air.

If not installed, operated, and maintained in accordance with the manufacturer's instructions, this product could expose you to substances in fuel or fuel combustion which are known to the State of California to cause cancer, birth defects, or other reproductive harm.

Keep burner and control compartment clean. See installation and operating instructions accompanying appliance.

For additional information on operating your
Hearth & Home Technologies fireplace, please refer to www.fireplaces.com.

CAUTION:

Hot while in operation. **DO NOT** touch. Keep children, clothing, furniture, gasoline and other liquids having flammable vapors away.

DO NOT operate the appliance with fixed glass assembly removed, cracked or broken. Replacement of the fixed glass assembly should be done by a licensed or qualified service person.

NOT FOR USE WITH SOLID FUEL

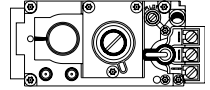
For use with natural gas and propane. A conversion kit, as supplied by the manufacturer, shall be used to convert this appliance to the alternate fuel.

Also Certified for Installation in a Bedroom or a Bedsitting Room.

For assistance or additional information, consult a qualified installer, service agency or the gas supplier.

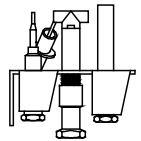
LIGHTING INSTRUCTIONS

1. Open control access panel.
2. Turn off all electric power to the appliance.
3. Push in gas control knob slightly and turn clockwise to "OFF".



Note: Knob cannot be turned from "PILOT" to "OFF" unless knob is pushed in slightly. **DO NOT** force.

4. Open the fixed glass assembly. You may need to remove the decorative front.
5. Wait five (5) minutes to clear out any gas. Then smell for gas, including near the floor. If you smell gas, STOP! Follow "B" in the Safety Information located on the left side of this label. If you don't smell gas, go to next step.
6. Find the pilot. The pilot is inside combustion chamber next to the main burner.
7. Turn knob on gas control counterclockwise to "PILOT".
8. Push in control knob all the way and hold in. Immediately depress red or black piezo button. It may require several depressions of the red or black piezo button until PILOT lights. If PILOT light does not light after 10 seconds, return to step 3. Continue to hold the control knob in for about one minute after the pilot is lit. Release knob and it will pop back out. Pilot should remain lit. If it goes out, repeat steps 3 through 6.



- If knob does not pop up when released, stop and immediately call your service technician or gas supplier.
 - If the pilot will not stay lit after several tries, turn the gas control knob to "OFF" and call your service technician or gas supplier.
9. Reinstall fixed glass assembly. Reinstall decorative front.
 10. Turn gas control knob counterclockwise to "ON". Close access panel.
 11. Turn on all electric power to the appliance.
 12. To light burner, turn the wall control or on/off switch to "ON".

TO TURN OFF GAS TO APPLIANCE

1. Turn off all electric power to the appliance if service is to be performed.
2. Open control access panel.
3. Move switch to "OFF" position.
4. Push in gas control knob slightly and turn clockwise to "OFF". **DO NOT** force.
5. Close control access panel.

Final inspection by _____

M. After Fireplace is Lit

Initial Break-in Procedure

- The fireplace should be run three to four hours continuously on high.
- Turn the fireplace off and allow it to completely cool.
- Remove fixed glass assembly. See Section 14.H.
- Clean fixed glass assembly. See Section 3.
- Replace the fixed glass assembly and run continuously on high an additional 12 hours.

This cures the materials used to manufacture the fireplace.

NOTICE! Open windows for air circulation during fireplace break-in.

- *Some people may be sensitive to smoke and odors.*
- *Smoke detectors may activate.*

N. Frequently Asked Questions

| ISSUE | SOLUTIONS |
|---|---|
| Condensation on the glass | This is a result of gas combustion and temperature variations. As the appliance warms, this condensation will disappear. |
| Blue flames | This is a result of normal operation and the flames will begin to yellow as the appliance is allowed to burn for 20 to 40 minutes. |
| Odor from appliance | When first operated, this appliance may release an odor for the first several hours. This is caused by the curing of the paint and the burning off of any oils remaining from manufacturing. Odor may also be released from finishing materials and adhesives used around the appliance. |
| Film on the glass | This is a normal result of the curing process of the paint and logs. Glass should be cleaned within 3 to 4 hours of initial burning to remove deposits left by oils from the manufacturing process. A non-abrasive cleaner such as gas fireplace glass cleaner may be necessary. See your dealer. |
| Metallic noise | Noise is caused by metal expanding and contracting as it heats up and cools down, similar to the sound produced by a furnace or heating duct. This noise does not affect the operation or longevity of the appliance. |
| Is it normal to see the pilot flame burn continually? | In an intermittent pilot ignition system (IPI), the pilot flame should turn off when appliance is turned off. Some optional control systems available with IPI models may allow pilot flame to remain lit. In a standing pilot system the pilot will always stay on. |

3 Maintenance and Service

Any safety screen or guard removed for servicing must be replaced prior to operating the fireplace.

When properly maintained, your fireplace will give you many years of trouble-free service. We recommend annual service by a qualified service technician.

A. Maintenance Tasks-Homeowner

Installation and repair should be done by a qualified service technician only. The fireplace should be inspected before use and at least annually by a professional service person.

The following tasks may be performed annually by the homeowner. If you are uncomfortable performing any of the listed tasks, please call your dealer for a service appointment.

More frequent cleaning may be required due to lint from carpeting or other factors. Control compartment, burner and circulating air passageway of the fireplace must be kept clean.

CAUTION! Risk of Burns! *The fireplace should be turned off and cooled before servicing.*

Glass Cleaning

Frequency: Seasonally

By: Homeowner

Tools Needed: Protective gloves, glass cleaner, drop cloth and a stable work surface.

CAUTION! Handle fixed glass assembly with care. *Glass is breakable.*

- Avoid striking, scratching or slamming glass
- Avoid abrasive cleaners
- **DO NOT** clean glass while it is hot
- Prepare a work area large enough to accommodate fixed glass assembly and door frame by placing a drop cloth on a flat, stable surface.

Note: Fixed glass assembly and gasketing may have residue that can stain carpeting or floor surfaces.

- Remove door or decorative front from fireplace and set aside on work surface.
- See Section 14.H for instructions to remove fixed glass assembly.
- Clean glass with a non-abrasive commercially available cleaner.
 - Light deposits: Use a soft cloth with soap and water
 - Heavy deposits: Use commercial fireplace glass cleaner (consult with your dealer)
- Carefully set fixed glass assembly in place on fireplace. Hold glass in place with one hand and secure glass latches with the other hand.
- Reinstall door or decorative front.

Doors, Surrounds, Fronts

Frequency: Annually

By: Homeowner

Tools needed: Protective gloves, stable work surface

- Assess condition of screen and replace as necessary.
- Inspect for scratches, dents or other damage and repair as necessary.
- Check that louvers are not blocked.
- Vacuum and dust surfaces.

Remote Control

Frequency: Seasonally

By: Homeowner

Tools needed: Replacement batteries and remote control instructions.

- Locate remote control transmitter and receiver.
- Verify operation of remote. Refer to remote control operation instructions for proper calibration and setup procedure.
- Place batteries as needed in remote transmitters and battery-powered receivers.
- Place remote control out of reach of children.

If not using your fireplace for an extended period of time (summer months, vacations/trips, etc), to prevent unintended operation:

- Remove batteries from remote controls.
- Unplug 6 volt transformer plug on IPI models.
- Unplug battery backup from control module.

Venting

Frequency: Seasonally

By: Homeowner

Tools needed: Protective gloves and safety glasses.

- Inspect venting and termination cap for blockage or obstruction such plants, bird nests, leaves, snow, debris, etc.
- Verify termination cap clearance to subsequent construction (building additions, decks, fences, or sheds). See Section 6.
- Inspect for corrosion or separation.
- Verify weather stripping, sealing and flashing remains intact.
- Inspect draft shield to verify it is not damaged or missing.

B. Maintenance Tasks-Qualified Service Technician

The following tasks must be performed by a qualified service technician.

Gasket Seal and Glass Assembly Inspection

Frequency: Annually

By: Qualified Service Technician

Tools needed: Protective gloves, drop cloth and a stable work surface.

- Inspect gasket seal and its condition.
- Inspect fixed glass assembly for scratches and nicks that can lead to breakage when exposed to heat.
- Confirm there is no damage to glass or glass frame. Replace as necessary.
- Verify that fixed glass assembly is properly retained and attachment components are intact and not damaged. Replace as necessary.

Logs

Frequency: Annually

By: Qualified Service Technician

Tools needed: Protective gloves.

- Inspect for damaged or missing logs. Replace as necessary. Refer to Section 14 for log placement instructions.
- Verify correct log placement and no flame impingement causing sooting. Correct as necessary.

Firebox

Frequency: Annually

By: Qualified Service Technician

Tools needed: Protective gloves, sandpaper, steel wool, cloths, mineral spirits, primer and touch-up paint.

- Inspect for paint condition, warped surfaces, corrosion or perforation. Sand and repaint as necessary.

- Replace fireplace if firebox has been perforated.

Control Compartment and Firebox Top

Frequency: Annually

By: Qualified Service Technician

Tools needed: Protective gloves, vacuum cleaner, dust cloths

- Vacuum and wipe out dust, cobwebs, debris or pet hair. Use caution when cleaning these areas. Screw tips that have penetrated the sheet metal are sharp and should be avoided.
- Remove all foreign objects.
- Verify unobstructed air circulation.

Burner Ignition and Operation

Frequency: Annually

By: Qualified Service Technician

Tools needed: Protective gloves, vacuum cleaner, whisk broom, flashlight, voltmeter, indexed drill bit set, and a manometer.

- Verify burner is properly secured and aligned with pilot or igniter.
- Clean off burner top, inspect for plugged ports, corrosion or deterioration. Replace burner if necessary.
- Replace Glowing embers with new dime-size pieces. **DO NOT** block ports or obstruct lighting paths. Refer to Section 14 for proper ember placement.
- Verify batteries have been removed from battery back-up IPI systems to prevent premature battery failure or leaking.
- Check for smooth lighting and ignition carryover to all ports. Verify that there is no ignition delay.
- Inspect for lifting or other flame problems.
- Verify air shutter setting is correct. See Section 14 for required air shutter setting. Verify air shutter is clear of dust and debris.
- Inspect orifice for soot, dirt and corrosion. Verify orifice size is correct. See Service Parts List for proper orifice sizing.
- Verify manifold and inlet pressures. Adjust regulator as required.
- Inspect pilot flame pattern and strength. See Figures 3.1 and 3.2 for proper pilot flame pattern. Clean or replace orifice spud as necessary.
- Inspect thermocouple/thermopile or IPI flame sensing rod for soot, corrosion and deterioration. Polish with fine steel wool or replace as required.
- Verify thermocouple/thermopile millivolt output. Replace pilot as necessary. (Standing pilot only)
- Verify that there is not a short in flame sense circuit by checking continuity between pilot hood and flame sensing rod. Replace pilot as necessary. (IPI only)



Figure 3.1 IPI Pilot Flame Patterns

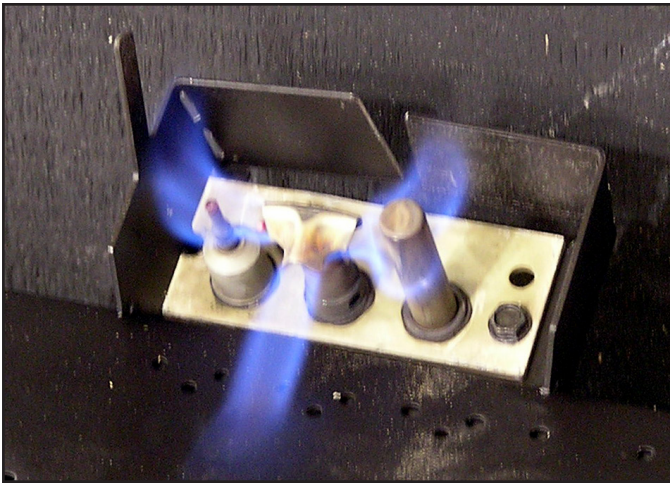


Figure 3.2 Standing Pilot Flame Patterns

C. Refractory, Grate and Valve Assembly Removal

It may become necessary to remove the refractory, grate and valve assemblies. This task should be performed by a qualified service technician. The grate and base refractory **do not** need to be removed to service the burner assembly.

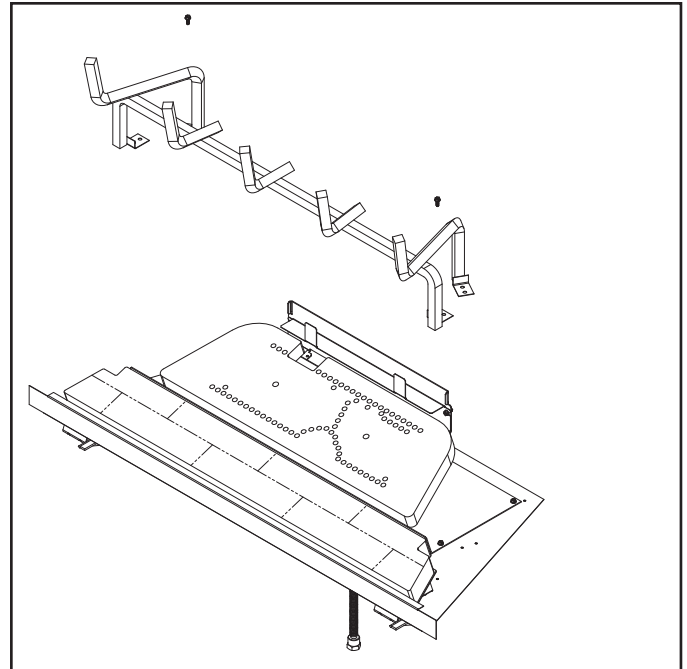


Figure 3.3 Grate Removal

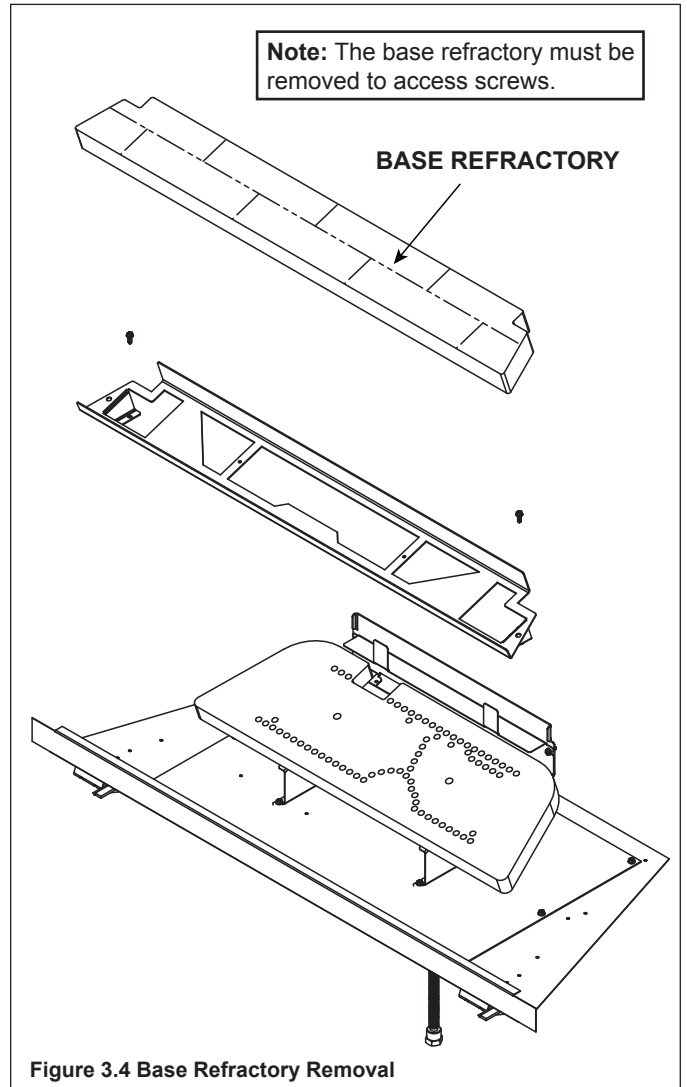


Figure 3.4 Base Refractory Removal

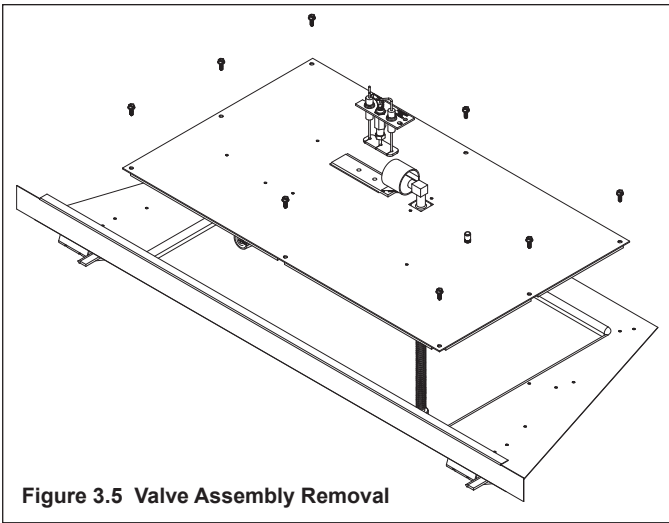


Figure 3.5 Valve Assembly Removal

D. Burner Identification/Verification

The burner may be accessed for identification and verification purposes. This task should be performed by a qualified service technician. The base refractory, valve plate and grate do not need to be removed to access the burner assembly. The logs and fiber burner top need to be removed to access the burner. Disconnect the pilot from the burner before removal. See Figure 3.6 for burner identification chart. Notch patterns are located on bottom side of burner.

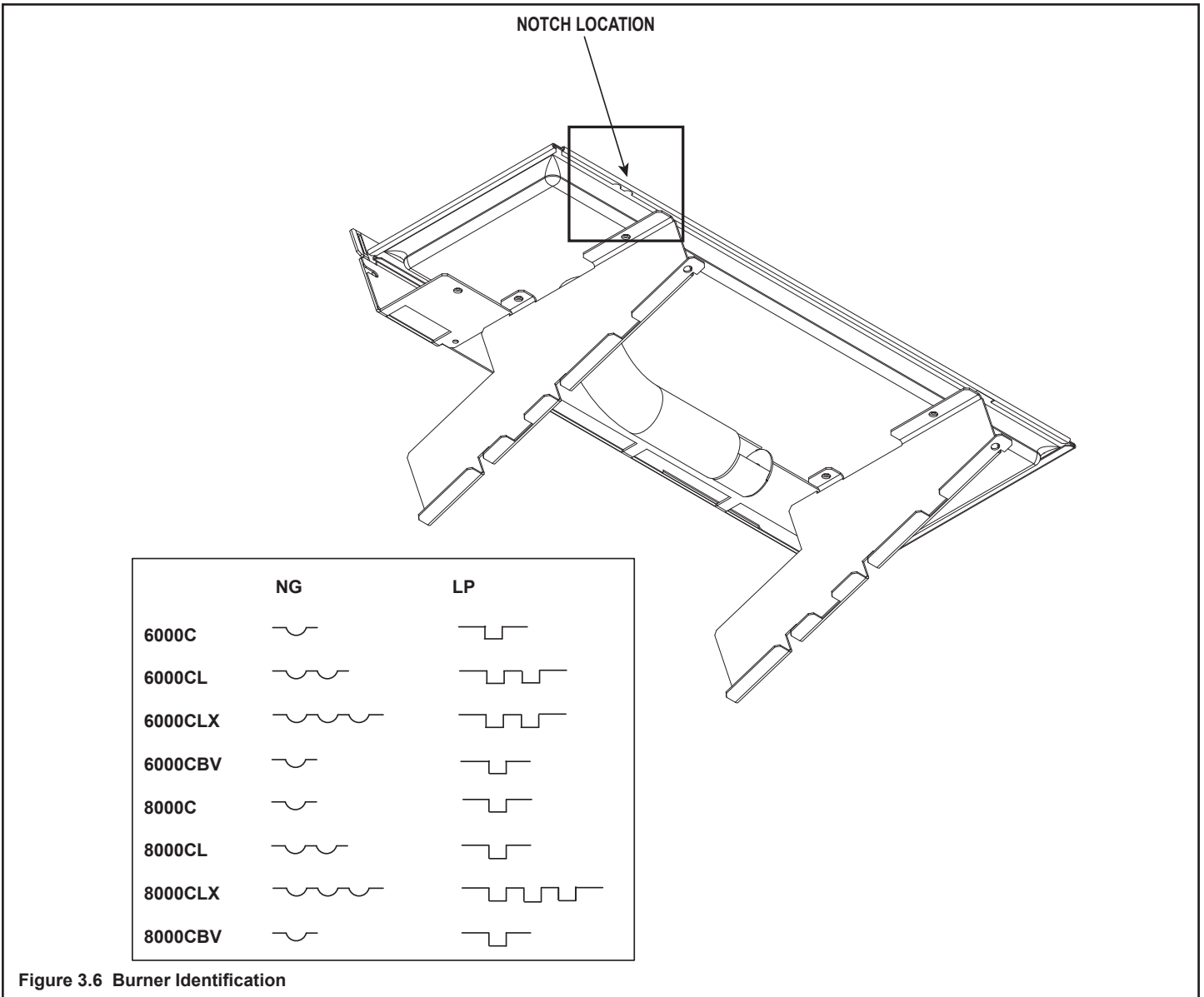


Figure 3.6 Burner Identification

4 Getting Started

Installer Guide

A. Typical Appliance System

NOTICE: Illustrations and photos reflect typical installations and are for design purposes only. Illustrations/diagrams are not drawn to scale. Actual product may vary from pictures in manual

Note: Dual venting configurations **ARE NOT** allowed. Appliance **MUST** be vented **EITHER** vertically **OR** horizontally.

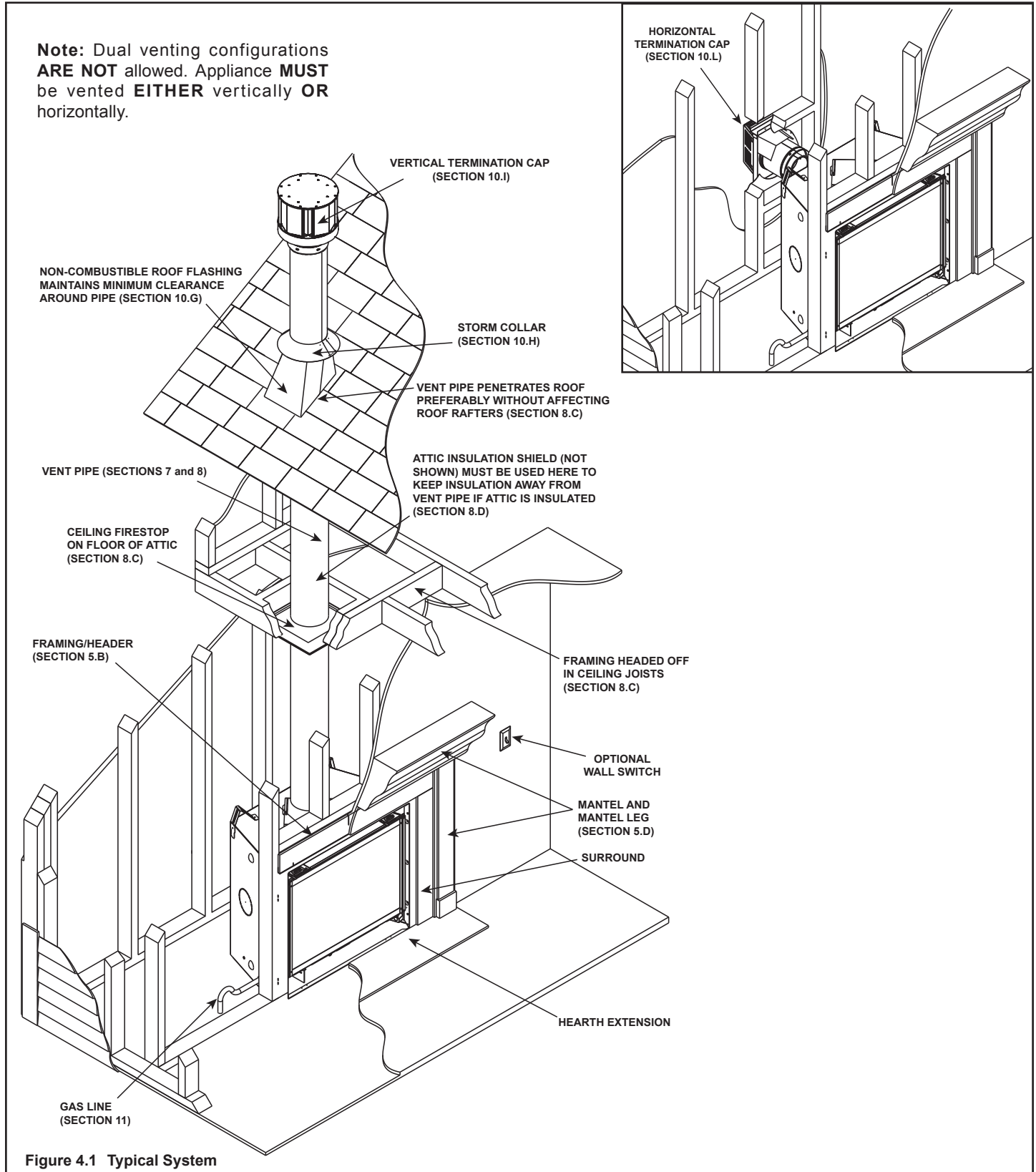


Figure 4.1 Typical System

B. Design and Installation Considerations

Heat & Glo direct vent gas appliances are designed to operate with all combustion air siphoned from outside of the building and all exhaust gases expelled to the outside. No additional outside air source is required.

Installation **MUST** comply with local, regional, state and national codes and regulations. Consult insurance carrier, local building inspector, fire officials or authorities having jurisdiction over restrictions, installation inspection and permits.

Before installing, determine the following:

- Where the appliance is to be installed.
- The vent system configuration to be used.
- Gas supply piping requirements.
- Electrical wiring requirements.
- Framing and finishing details.
- Whether optional accessories—devices such as a fan, wall switch, or remote control—are desired.

Improper installation, adjustment, alteration, service or maintenance can cause injury or property damage. For assistance or additional information, consult a qualified service technician, service agency or your dealer.

C. Tools and Supplies Needed

Before beginning the installation be sure that the following tools and building supplies are available.

- | | |
|--------------|------------------------------------|
| Tape measure | Framing material |
| Pliers | Non-corrosive leak check solution- |
| Hammer | Phillips screwdriver |
| Gloves | Framing square |
| Voltmeter | Electric drill and bits (1/4 in.) |
| Plumb line | Safety glasses |
| Level | Reciprocating saw |
| Manometer | Flat blade screwdriver |
- 1/2 - 3/4 in. length, #6 or #8 Self-drilling screws
Caulking material (300°F minimum continuous exposure rating)
One 1/4 in. female connection (for optional fan).

D. Inspect Appliance and Components

- Carefully remove the appliance and components from the packaging.
- The vent system components and decorative doors and fronts may be shipped in separate packages.
- If packaged separately, the log set and appliance grate must be installed.
- Report to your dealer any parts damaged in shipment, particularly the condition of the glass.
- **Read all of the instructions before starting the installation. Follow these instructions carefully during the installation to ensure maximum safety and benefit.**

WARNING! Risk of Fire or Explosion! Damaged parts could impair safe operation. DO NOT install damaged, incomplete or substitute components. Keep appliance dry.

Hearth & Home Technologies disclaims any responsibility for, and the warranty will be voided by, the following actions:

- Installation and use of any damaged appliance or vent system component.
- Modification of the appliance or vent system.
- Installation other than as instructed by Hearth & Home Technologies.
- Improper positioning of the gas logs or the glass door.
- Installation and/or use of any component part not approved by Hearth & Home Technologies.

Any such action may cause a fire hazard.

WARNING! Risk of Fire, Explosion or Electric Shock! DO NOT use this appliance if any part has been under water. Call a qualified service technician to inspect the appliance and to replace any part of the control system and/or gas control which has been under water.

5 Framing and Clearances

A. Selecting Appliance Location

When selecting a location for the appliance it is important to consider the required clearances to walls (see Figure 5.1).

WARNING! Risk of Fire or Burns! Provide adequate clearance around air openings and for service access. Due to high temperatures, the appliance should be located out of traffic and away from furniture and draperies.

NOTICE: Illustrations reflect typical installations and are FOR DESIGN PURPOSES ONLY. Illustrations/diagrams are not drawn to scale. Actual installation may vary due to individual design preference.

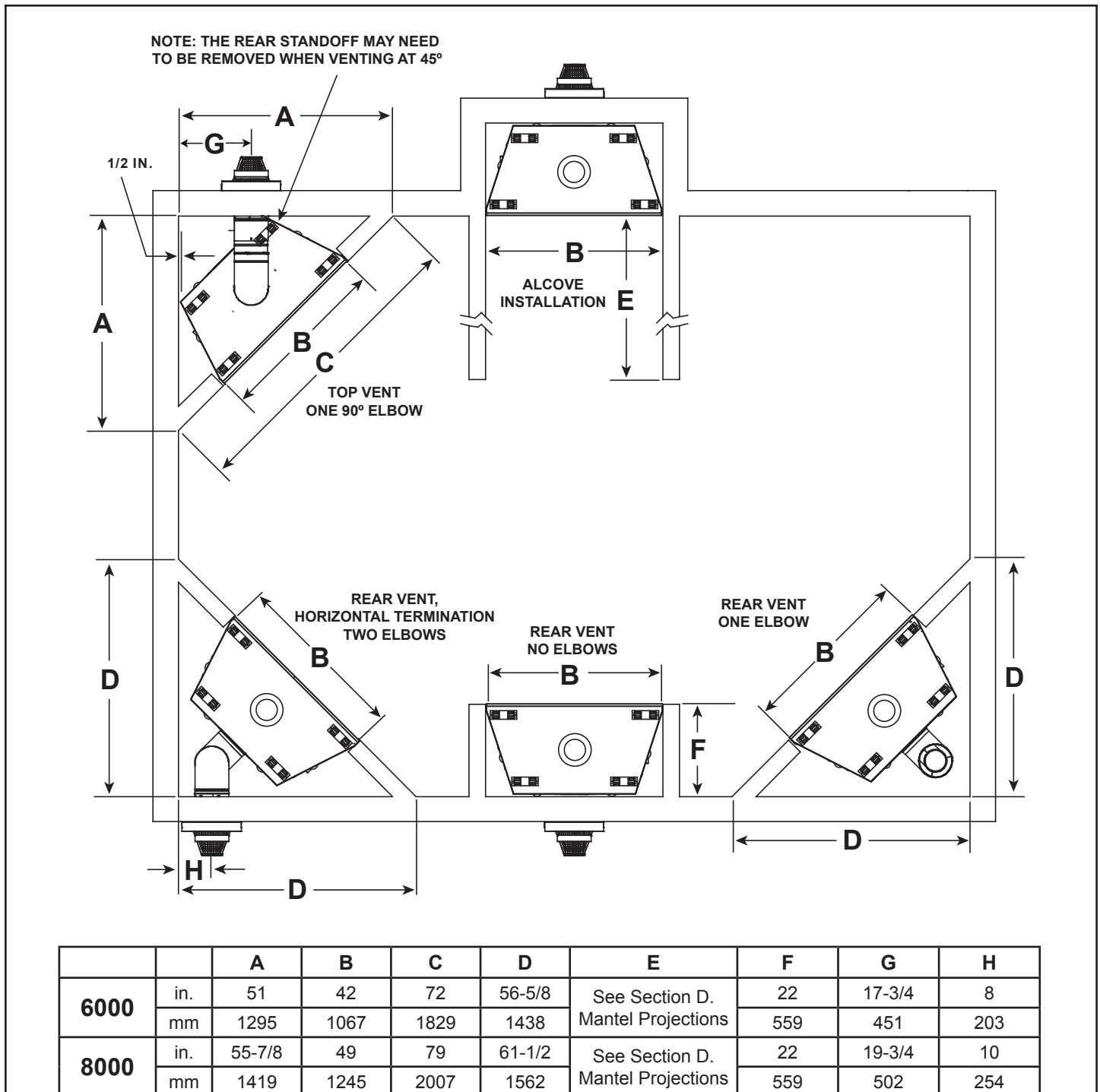


Figure 5.1 Appliance Locations - 6000 Models

B. Constructing the Appliance Chase

A chase is a vertical box-like structure built to enclose the gas appliance and/or its vent system. In cooler climates the vent should be enclosed inside the chase.

NOTICE: Treatment of ceiling firestops and wall shield firestops and construction of the chase may vary with the type of building. These instructions are not substitutes for the requirements of local building codes. Therefore, you **MUST** check local building codes to determine the requirements to these steps.

Chases should be constructed in the manner of all outside walls of the home to prevent cold air drafting problems. The chase should not break the outside building envelope in any manner.

Walls, ceiling, base plate and cantilever floor of the chase should be insulated. Vapor and air infiltration barriers should be installed in the chase as per regional codes for the rest of the home. Additionally, in regions where cold air infiltration may be an issue, the inside surfaces may be sheetrocked and taped for maximum air tightness.

To further prevent drafts, the wall shield and ceiling fire-

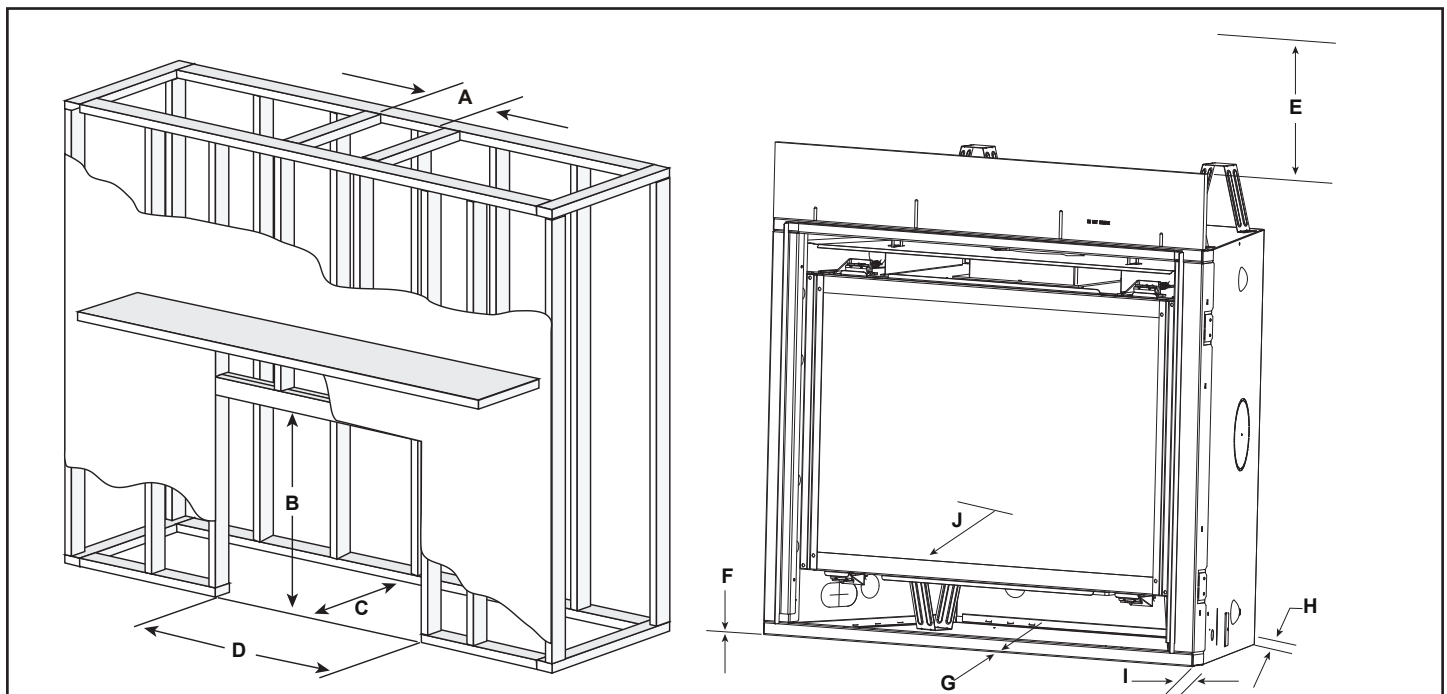
stops should be caulked with caulk with a minimum of 300°F continuous exposure rating to seal gaps. Gas line holes and other openings should be caulked with caulk with a minimum of 300°F continuous exposure rating or stuffed with unfaced insulation. If the appliance is being installed on a cement surface, a layer of plywood may be placed underneath to prevent conducting cold up into the room.

C. Clearances

NOTICE: Install appliance on hard metal or wood surfaces extending full width and depth. **DO NOT** install directly on carpeting, vinyl, tile or any combustible material other than wood.

WARNING! Risk of Fire! Maintain specified air space clearances to appliance and vent pipe:

- Insulation and other materials must be secured to prevent accidental contact.
- The chase must be properly blocked to prevent blown insulation or other combustibles from entering and making contact with fireplace or chimney.
- Failure to maintain airspace may cause overheating and a fire.



| * MINIMUM FRAMING DIMENSIONS | | | | | | | | | | | |
|------------------------------|-----|-----------------------|------------------------|-----------------------|-----------------------|----------------------|-------------------|----------------------|------------------|--------------------|--------------------|
| Models | | A | B | C** | D | E | F | G | H | I | J |
| | | Rough Opening (Width) | Rough Opening (Height) | Rough Opening (Depth) | Rough Opening (Width) | Clearance to Ceiling | Combustible Floor | Combustible Flooring | Behind Appliance | Sides of Appliance | Front of Appliance |
| 6000 | in. | 10 | 40-1/8 | 22 | 42 | 25 | 0 | 0 | 1/2 | 1/2 | 36 |
| | mm | 254 | 1019 | 559 | 1067 | 635 | 0 | 0 | 13 | 13 | 914 |
| 8000 | in. | 10 | 42-1/8 | 22 | 49 | 25 | 0 | 0 | 1/2 | 1/2 | 36 |
| | mm | 254 | 1019 | 559 | 1245 | 635 | 0 | 0 | 13 | 13 | 914 |

* Adjust framing dimensions for interior sheathing (such as sheetrock)

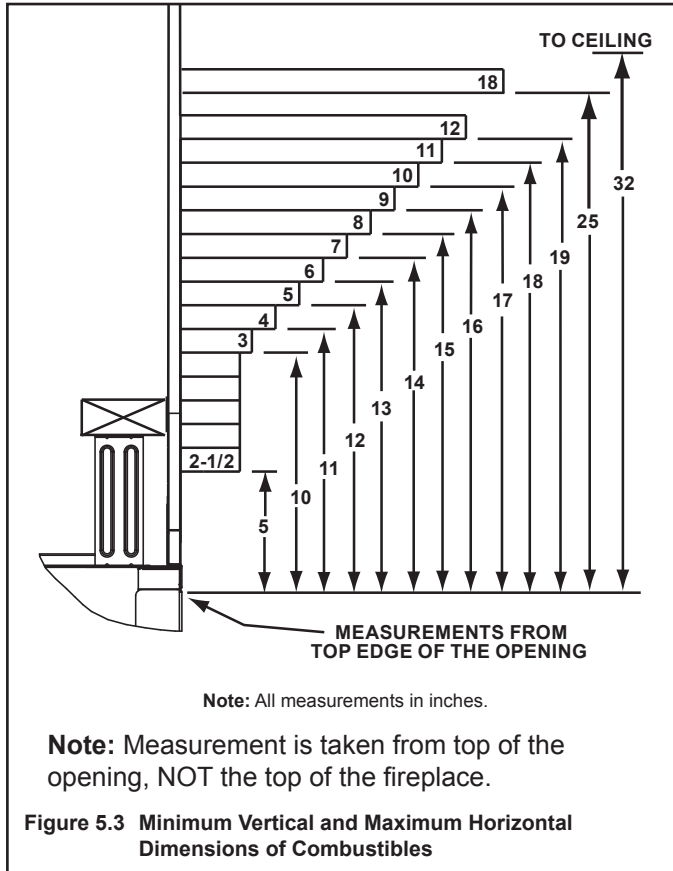
C** Add 12 inches for rear venting with one 90° elbow.

Figure 5.2 Clearances to Combustibles

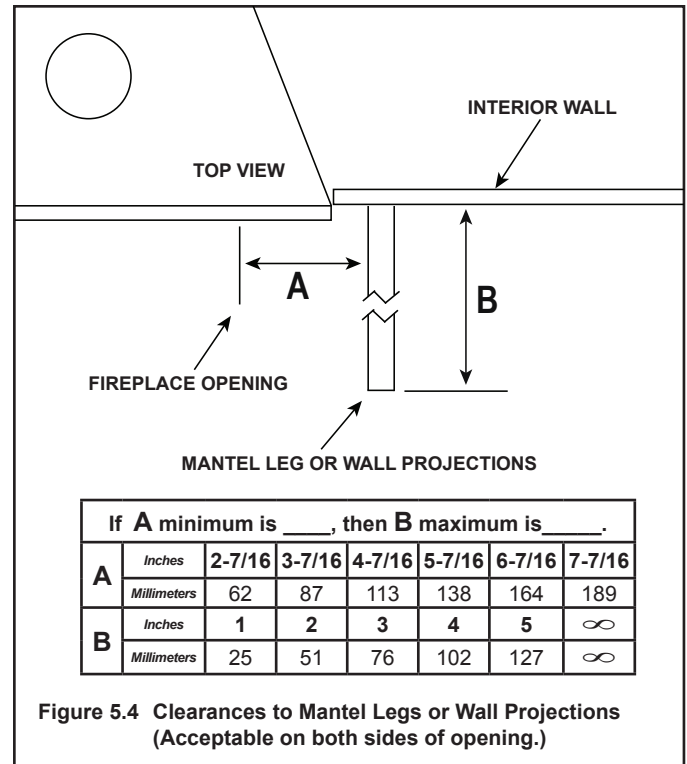
D. Mantel and Wall Projections

WARNING! Risk of Fire! Comply with all minimum clearances as specified. Framing or finishing material closer than the minimums listed must be constructed entirely of noncombustible materials (i.e., steel studs, concrete board, etc).

Combustible Mantels



Combustible Mantel Legs or Wall Projections



6 Termination Locations

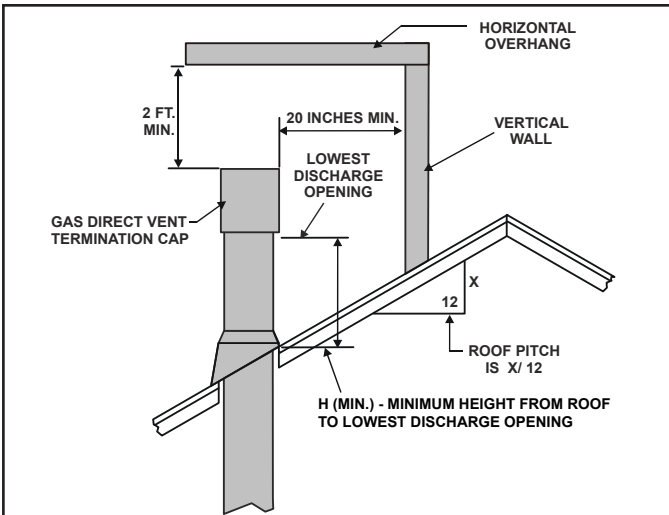
A. Vent Termination Minimum Clearances

WARNING

Fire Risk.
Maintain vent clearance to combustibles as specified.

- **DO NOT** pack air space with insulation or other materials.

Failure to keep insulation or other materials away from vent pipe may cause overheating and fire.



| Roof Pitch | H (Min.) Ft. |
|--------------------------|--------------|
| Flat to 6/12..... | 1.0* |
| Over 6/12 to 7/12..... | 1.25* |
| Over 7/12 to 8/12..... | 1.5* |
| Over 8/12 to 9/12..... | 2.0* |
| Over 9/12 to 10/12..... | 2.5 |
| Over 10/12 to 11/12..... | 3.25 |
| Over 11/12 to 12/12..... | 4.0 |
| Over 12/12 to 14/12..... | 5.0 |
| Over 14/12 to 16/12..... | 6.0 |
| Over 16/12 to 18/12..... | 7.0 |
| Over 18/12 to 20/12..... | 7.5 |
| Over 20/12 to 21/12..... | 8.0 |

* 3 foot minimum in snow regions

Figure 6.1 Minimum Height From Roof To Lowest Discharge Opening

| A | B |
|---|--------------------------|
| 6 in. (minimum) up to 20 in. 152 mm/508 mm | 18 in. minimum 457 mm |
| 20 in. and over | 0 in. minimum |

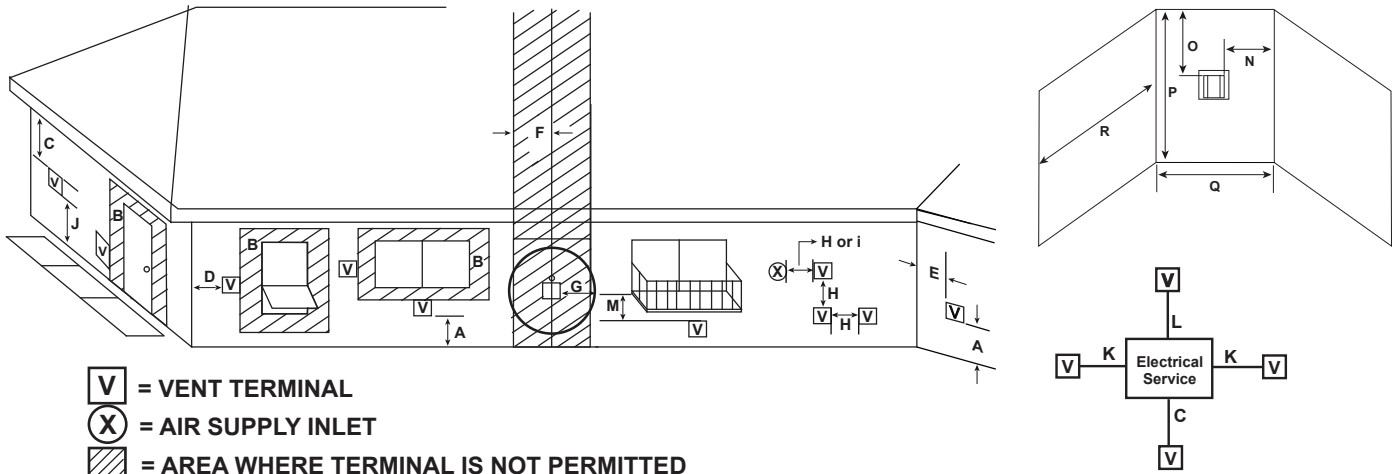
Gas, Wood or Fuel Oil Termination Cap

Gas Termination Cap **

* If using decorative cap cover(s), this distance may need to be increased. Refer to the installation instructions supplied with the decorative cap cover.

** In a staggered installation with both gas and wood or fuel oil terminations, the wood or fuel oil termination cap must be higher than the gas termination cap.

Figure 6.2 Staggered Termination Caps



- V** = VENT TERMINAL
- X** = AIR SUPPLY INLET
- [Hatched Area]** = AREA WHERE TERMINAL IS NOT PERMITTED

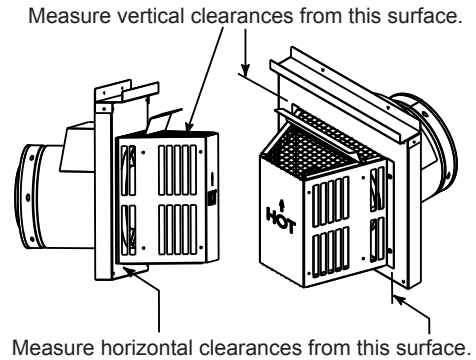
- A = 12 inches.....clearances above grade, veranda, porch, deck or balcony
 - B = 12 inches.....clearance to window or door that may be opened, or to permanently closed window
 - C = 18 inches.....clearance below unventilated soffit
18 inches.....clearance below ventilated soffit
30 inches.....clearance below vinyl soffits and electrical service
 - D = 9 inches.....clearance to outside corner
 - E = 6 inches.....clearance to inside corner
 - F = 3 ft. (Canada).....not to be installed above a gas meter/regulator assembly within 3 feet horizontally from the center-line of the regulator
 - G = 3 ft.....clearance to gas service regulator vent outlet
 - H = 9 inches (U.S.A)
12 inches (Canada).....clearance to non-mechanical (unpowered) air supply inlet, combustion air inlet or direct-vent termination
 - i = 3 ft. (U.S.A.)
6 ft. (Canada).....clearance to a mechanical (powered) air supply inlet
- All mechanical air intakes within 10 feet of a termination cap must be a minimum of 3 feet below termination.
- J = 7 ft. On **public** property: clearance above paved sidewalk or a paved driveway.
- A vent shall not terminate directly above a sidewalk or paved driveway which is located between two single family dwellings and serves both dwellings.
- K = 6 inches.....clearance from sides of electrical service
 - L = 12 inches.....clearance above electrical service

Location of the vent termination must not interfere with access to the electrical service.
- M = 18 inches clearance under veranda, porch, deck, balcony or overhang
42 inchesvinyl or composite overhang
Permitted when veranda, porch, deck or balcony is fully open on a minimum of 2 sides beneath the floor.

Covered Alcove Applications
(Spaces open only on one side and with an overhang)

- N = 6 inches non-vinyl sidewalls
12 inches vinyl sidewalls
- O = 18 inches non-vinyl soffit and overhang
42 inches vinyl soffit and overhang
- P = 8 ft.

| | Q_{MIN} | R_{MAX} |
|--|-----------|-------------------------|
| 1 cap | 3 feet | $2 \times Q_{ACTUAL}$ |
| 2 caps | 6 feet | $1 \times Q_{ACTUAL}$ |
| 3 caps | 9 feet | $2/3 \times Q_{ACTUAL}$ |
| 4 caps | 12 feet | $1/2 \times Q_{ACTUAL}$ |
| $Q_{MIN} = \# \text{ termination caps} \times 3$ $R_{MAX} = (2 / \# \text{ termination caps}) \times Q_{ACTUAL}$ | | |



CAUTION! Risk of Burns! Termination caps are **HOT**, consider proximity to doors, traffic areas or where people may pass or gather (sidewalk, deck, patio, etc.). Listed cap shields available. Contact your dealer.

- Local codes or regulations may require different clearances.
- Vent system termination is **NOT** permitted in screened porches.
- Vent system termination is permitted in porch areas with two or more sides open.
- Hearth & Home Technologies assumes no responsibility for the improper performance of the appliance when the venting system does not meet these requirements.
- Vinyl protection kits are suggested for use with vinyl siding.

Figure 6.3 Minimum Clearances for Termination

7 Vent Information and Diagrams

A. Approved Pipe

This appliance is approved for use with Hearth & Home Technologies DVP or SLP venting systems. Refer to Section 16B for vent component information.

DO NOT mix pipe, fittings or joining methods from different manufacturers.

The pipe is tested to be run inside an enclosed wall. There is no requirement for inspection openings at each joint within the wall.

WARNING! Risk of Fire or Asphyxiation. This appliance requires a separate vent. **DO NOT** vent to a pipe serving a separate solid fuel burning appliance.

B. Vent Table Key

The abbreviations listed in this vent table key are used in the vent diagrams.

| Symbol | Description |
|----------------|---|
| V ₁ | First section (closest to appliance) of vertical length |
| V ₂ | Second section of vertical length |
| H ₁ | First section (closest to appliance) of horizontal length |
| H ₂ | Subsequent sections of horizontal length |

C. Use of Elbows

Diagonal runs have both vertical and horizontal vent aspects when calculating the effects. Use the rise for the vertical aspect and the run for the horizontal aspect (see Figure 7.1).

Two 45° elbows may be used in place of one 90° elbow. On 45° runs, one foot of diagonal is equal to 8-1/2 in. (216 mm) horizontal run and 8-1/2 in. (216 mm) vertical run. A length of straight pipe is allowed between two 45° elbows (see Figure 7.1).

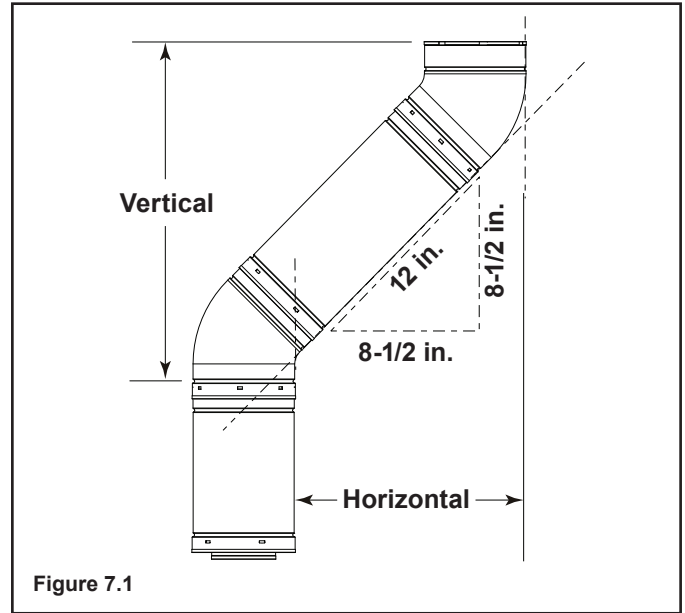


Figure 7.1

D. Measuring Standards

Vertical and horizontal measurements listed in the vent diagrams were made using the following standards.

- Pipe measurements are shown using the effective length of pipe (see Figure 7.2).
- Horizontal terminations are measured to the outside mounting surface (flange of termination cap) (see Figure 6.3).
- Vertical terminations are measured to bottom of termination cap.
- Horizontal pipe installed level with no rise.

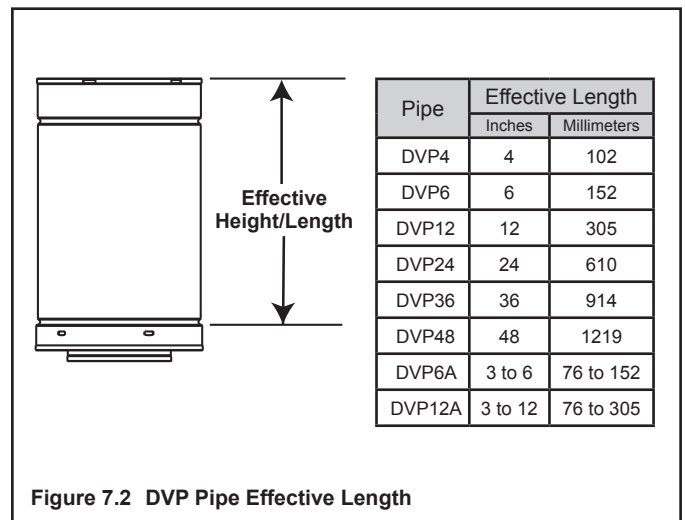


Figure 7.2 DVP Pipe Effective Length

E. Vent Diagrams

Top Vent - Horizontal Termination

Note: The 6000/8000 series fireplaces can adapt to SLP series vent pipe, if desired.

When venting off the top of the unit, use a DVP-2SL adapter and a minimum 48 inch vertical section of SLP series vent pipe.

A DVP-SLP24 adapter may also be used with a 24 inch vertical section of SLP series vent pipe.

After the 48 inch vertical section, the venting table rules must be followed. The first 48 inch **vertical** section is **NOT** counted as part of the vertical components in the table. It is still counted as part of the overall maximum run. All venting table rules for the vent run must still be followed.

Example: DVP pipe 3 ft. min. vertical = 11 ft. max. horizontal
SLP pipe 7 ft. min. vertical = 11 ft. max. horizontal

Top Vent - Horizontal Termination

One Elbow

| 6000C-IPI | | | |
|--|--------|------------------------|--------|
| V ₁ Minimum | | H ₁ Maximum | |
| Elbow only | | 2 ft. | 610 mm |
| 6 in. | 152 mm | 4 ft. | 1.2 m |
| 1 ft. | 305 mm | 6 ft. | 1.8 m |
| 1-1/2 ft. | 457 mm | 10 ft. | 3.0 m |
| 2 ft. | 610 mm | 15 ft. | 4.6 m |
| 2-1/2 ft. | 762 mm | 20 ft. | 6.1 m |
| 3 ft. | 914 mm | 25 ft. | 7.6 m |
| V ₁ + H ₁ = 40 ft. (12.2 m) Maximum H ₁ = 25 ft. (7.6 m) Maximum | | | |

| 8000C-IPI | | | |
|--|--------|------------------------|--------|
| V ₁ Minimum | | H ₁ Maximum | |
| Elbow Only | | 2 ft. | 610 mm |
| 1 ft. | 305 mm | 3 ft. | 914 mm |
| 2 ft. | 610 mm | 6 ft. | 1.8 m |
| 3 ft. | 914 mm | 11 ft. | 3.4 m |
| 4 ft. | 1.2 m | 20 ft. | 6.1 m |
| V ₁ + H ₁ = 40 ft. (12.2 m) Maximum H ₁ = 20 ft. (6.1 m) Maximum | | | |

Note: For corner installations: A 6 inch (152 mm) section of straight pipe may need to be attached to the appliance before a 90° elbow, to allow the vent pipe to clear the top standoffs.

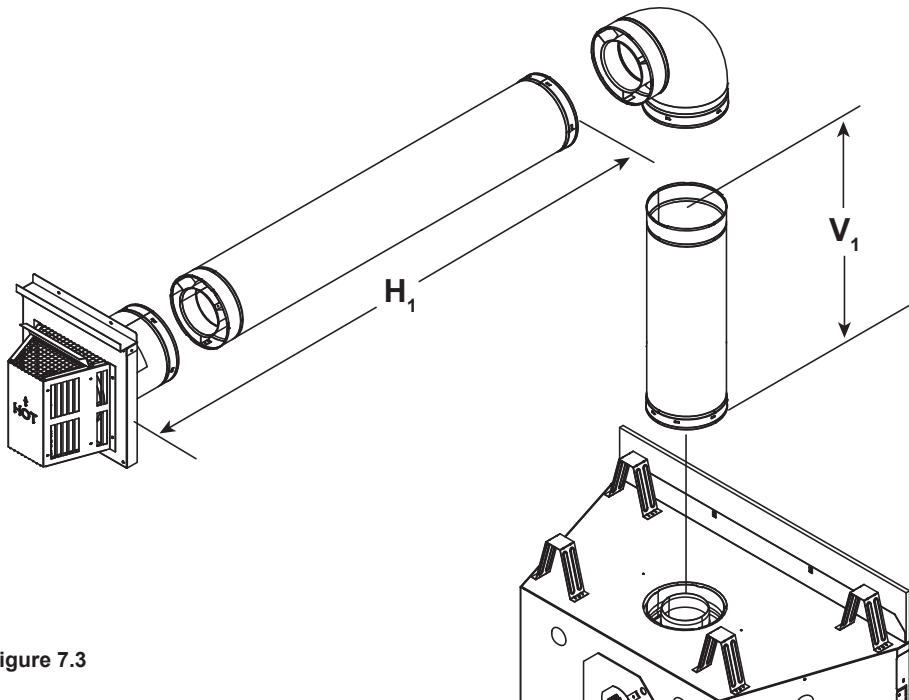


Figure 7.3

⚠ WARNING



Fire Risk. Explosion Risk.

Do NOT pack insulation or other combustibles between ceiling firestops.

- ALWAYS maintain specified clearances around venting and firestop systems.



- Install wall shield and ceiling firestops as specified.

Failure to keep insulation or other material away from vent pipe may cause fire.

⚠ WARNING



Fire Risk.

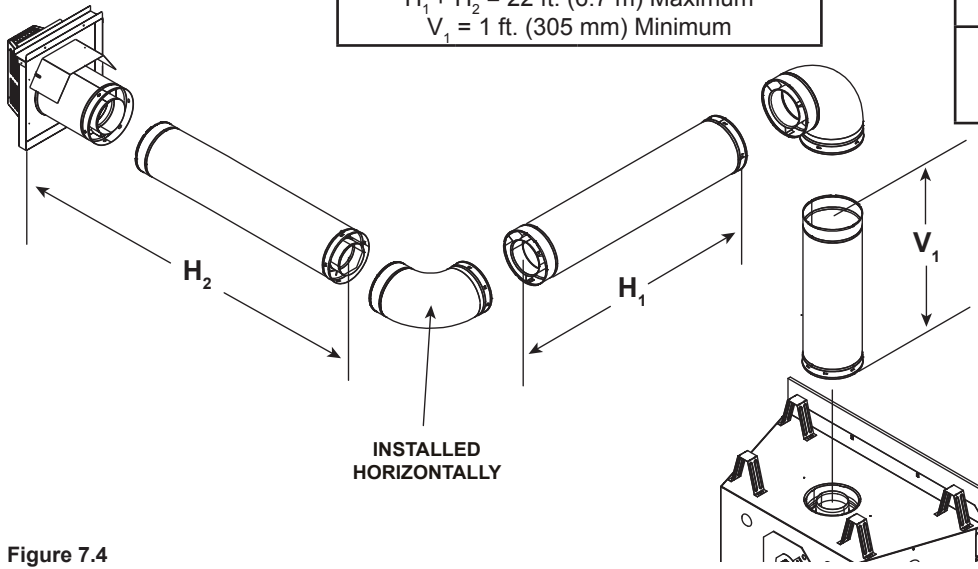
- When using DVP-HRC-SS and DVP-HRC-ZC-SS termination caps on top vented fireplaces, a 6 inch minimum vertical vent section is required before installing first elbow.

Top Vent - Horizontal Termination - (continued)

Two Elbows

| 6000C-IPI | | | |
|---|--------|---|--------|
| V ₁ Minimum | | H ₁ + H ₂ Maximum | |
| Elbow only | | Not allowed | |
| 6 in. | 152 mm | 2 ft. | 610 mm |
| 1 ft. | 305 mm | 4 ft. | 1.2 m |
| 1-1/2 ft. | 457 mm | 11 ft. | 3.4 m |
| 2 ft. | 610 mm | 19 ft. | 3.8 m |
| 2-1/2 ft. | 762 mm | 22 ft. | 6.7 m |
| V ₁ + H ₁ + H ₂ = 40 ft. (12.2 m) Maximum H ₁ + H ₂ = 22 ft. (6.7 m) Maximum V ₁ = 1 ft. (305 mm) Minimum | | | |

| 8000C-IPI | | | |
|---|--------|---|--------|
| V ₁ Minimum | | H ₁ + H ₂ Maximum | |
| Elbow only | | Not allowed | |
| 6 in. | 152 mm | Not allowed | |
| 1 ft. | 305 mm | 2 ft. | 610 mm |
| 2 ft. | 610 mm | 4 ft. | 1.2 m |
| 3 ft. | 914 mm | 6 ft. | 1.8 m |
| 4 ft. | 1.2 m | 8 ft. | 2.4 m |
| 6 ft. | 1.8 m | 12 ft. | 3.6 m |
| 10 ft. | 3.0 | 20 ft. | 6.1 m |
| V ₁ + H ₁ + H ₂ = 40 ft. (12.2 m) Maximum H ₁ + H ₂ = 20 ft. (6.0 m) Maximum V ₁ = 1 ft. (305 mm) Minimum | | | |



Note: For corner installations: A 6 inch (152 mm) section of straight pipe may need to be attached to the appliance before a 90° elbow, to allow the vent pipe to clear the top standoffs.

Figure 7.4

Three Elbows

| V ₁ Min. | | H ₁ Max. | | V ₂ Min. | | H ₂ Max. | |
|---|--------|---------------------|--------|---|--------|---------------------|--------|
| Elbow only | | 2 ft. | 610 mm | 0 in. | 0 mm | 1 ft. | 305 mm |
| 6 in. | 152 mm | 3 ft | 914 mm | 6 in. | 152 mm | 2 ft. | 610 mm |
| 1 ft. | 305 mm | 6 ft. | 1.8 m | 1 ft. | 305 mm | 6 ft. | 1.8 m |
| 2 ft. | 610 mm | 11 ft.* | 3.4 m* | 2 ft. | 610 mm | 10 ft.* | 3.1 m* |
| 3 ft. | 914 mm | 16 ft.* | 4.9 m* | 3 ft. | 914 mm | 14 ft.* | 4.3 m* |
| *H ₁ + H ₂ = 20 ft. (6.1 m) Maximum | | | | V ₁ + V ₂ + H ₁ + H ₂ = 40 ft. (12.2 m) Maximum | | | |

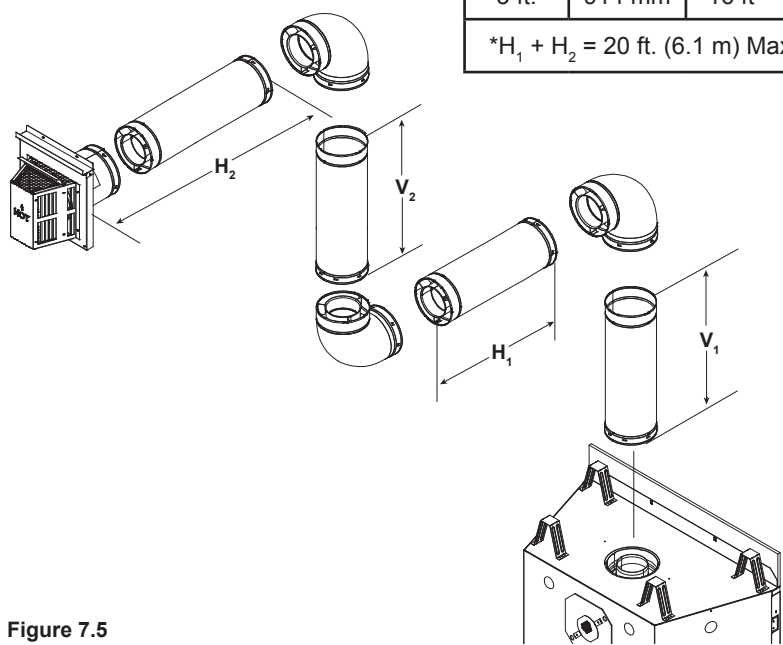


Figure 7.5

Top Vent - Vertical Termination

No Elbow

$V_1 = 40$ ft. Max. (12.4 m)
 $V_1 = 3$ ft. Min. (914 mm)

Note: If installing a vertical vent/termination off the top of the appliance, the flue restrictor should be used.

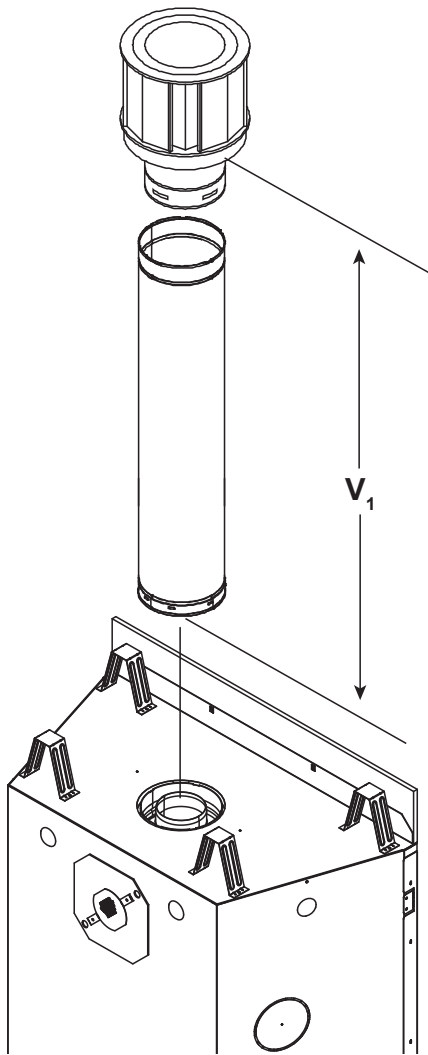


Figure 7.6

Flue Restrictor Instructions

1. Remove exhaust shield using a 1/4 inch nut driver by removing the four screws securing it in place (see Figure 7.7).

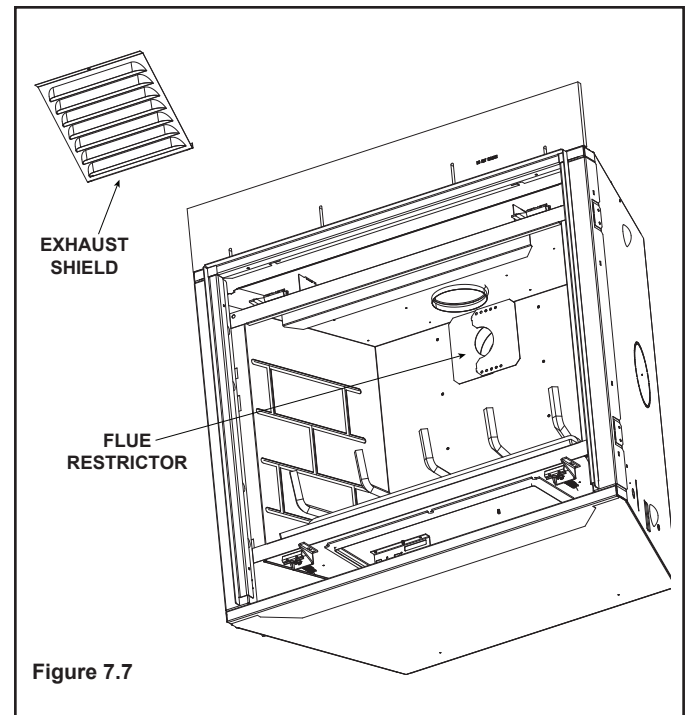


Figure 7.7

2. Break the flue restrictor into two pieces. Do this by bending the part back and forth until it breaks (see Figure 7.8).

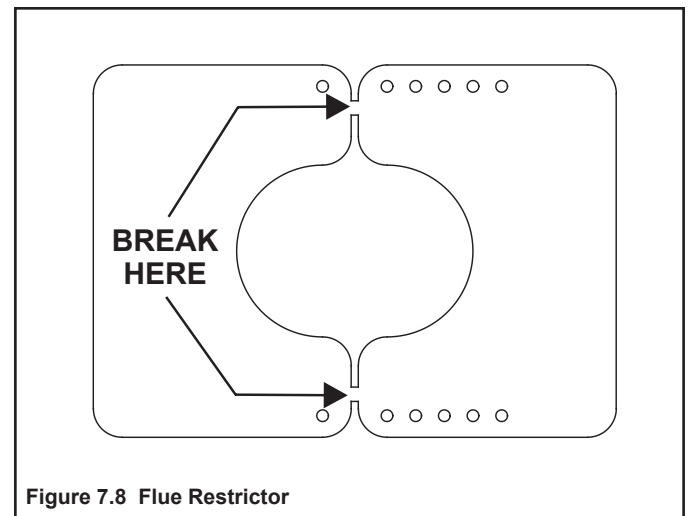


Figure 7.8 Flue Restrictor

Top Vent - Vertical Termination (continued)

3. Match the amount of vertical you have in the system with the chart to find the appropriate position to set the Flue Restrictor (see Figure 7.9).

| Vertical | TOP VENT | | REAR VENT | |
|----------|----------|---------------|---------------|---------------|
| | NG | LP | NG | LP |
| 4 ft. | 1-1 | No Restrictor | No Restrictor | No Restrictor |
| 8 ft. | 2-2 | 1-2 | 1-1 | No Restrictor |
| 15 ft. | 3-3 | 3-2 | 2-2 | 1-2 |
| 20 ft. | 3-4 | 3-3 | 3-3 | 2-3 |
| 25 ft. | 3-4 | 3-3 | 3-3 | 2-3 |
| 30 ft. | 4-4 | 3-4 | 3-4 | 3-3 |
| 35 ft. | 4-4 | 3-4 | 3-4 | 3-3 |
| 40 ft. | 4-4 | 4-4 | 4-4 | 3-4 |

Figure 7.9

Note: If the DVP-2SL or DVP-SLP24 adapter is used with SLP pipe, you MUST subtract one number from the table above.

Example: Top vent 40 ft vertical with DVP pipe = 4-4
Top vent 40 ft vertical with SLP pipe = 3-3

- Center the Flue Restrictor on vent and secure in place by using two self-tapping screws (see Figure 7.10).
- Reinstall the Exhaust Shield.

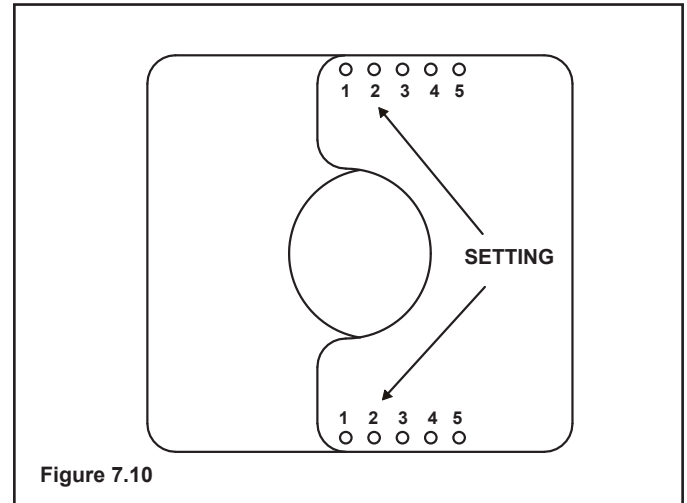


Figure 7.10

Two Elbows

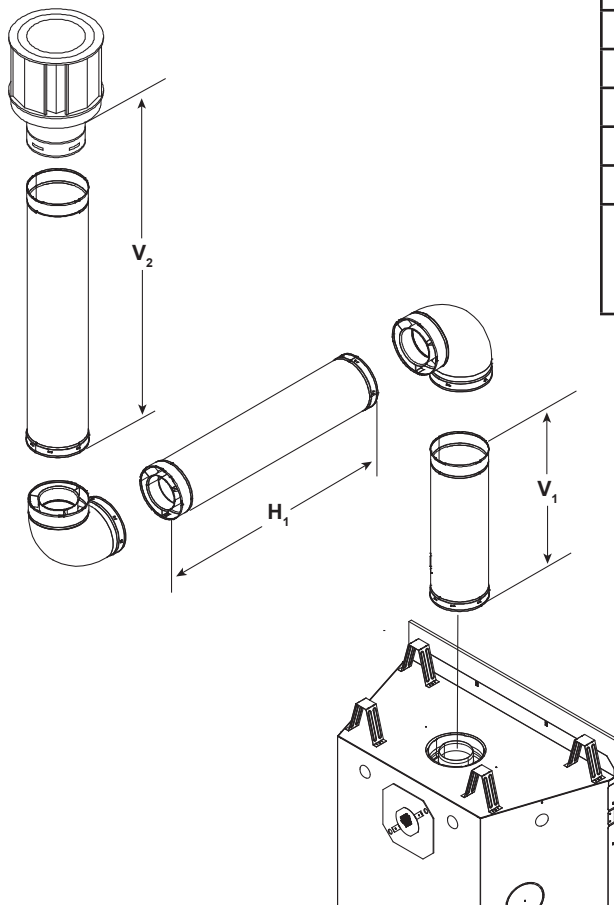


Figure 7.11

| V_1 | | H_1 Maximum | | V_2 | $V_1 + V_2$ Min. | |
|------------|--------|---------------|--------|-------|------------------|---|
| Elbow only | | 2 ft. | 610 mm | * | * | * |
| 6 in. | 152 mm | 6 ft. | 1.8 m | * | * | * |
| 2 ft. | 610 mm | 11 ft. | 3.4 m | * | * | * |
| 3 ft. | 914 mm | 16 ft. | 4.9 m | * | * | * |
| 4 ft. | 1.2 m | 20 ft. | 6.1 m | * | * | * |

$V_1 + V_2 + H_1 = 50$ ft. (15.2 m) Maximum
 *No specific restrictions on this value EXCEPT
 $V_1 + V_2 + H_1$ cannot exceed 50 ft (15.2 m)

Top Vent - Vertical Termination - (continued)

Three Elbows

| V_1 | | $H_1 + H_2$ | | V_2 | $V_1 + V_2$ Minimum | | $H_1 + H_2$ Maximum | |
|--------------------------------------|--------|-------------|--------|---|---------------------|---|---------------------|--------|
| Elbow only | | 1 ft. | 305 mm | * | * | * | 1 ft. | 305 mm |
| 6 in. | 152 mm | 2 ft. | 610 mm | * | * | * | 2 ft. | 610 mm |
| 1 ft. | 305 mm | 2 ft. | 610 mm | * | * | * | 2 ft. | 610 mm |
| 2 ft. | 610 mm | 4 ft. | 1.2 m | * | * | * | 4 ft. | 1.2 m |
| 3 ft. | 914 mm | 9 ft. | 2.7 m | * | * | * | 9 ft. | 2.7 m |
| 4 ft. | 1.2 m | 18 ft. | 5.5 m | * | * | * | 18 ft. | 5.5 m |
| $H_1 + H_2 = 20$ ft. (6.1 m) Maximum | | | | $V_1 + V_2 + H_1 + H_2 = 40$ ft. (12.2 m) Maximum | | | | |

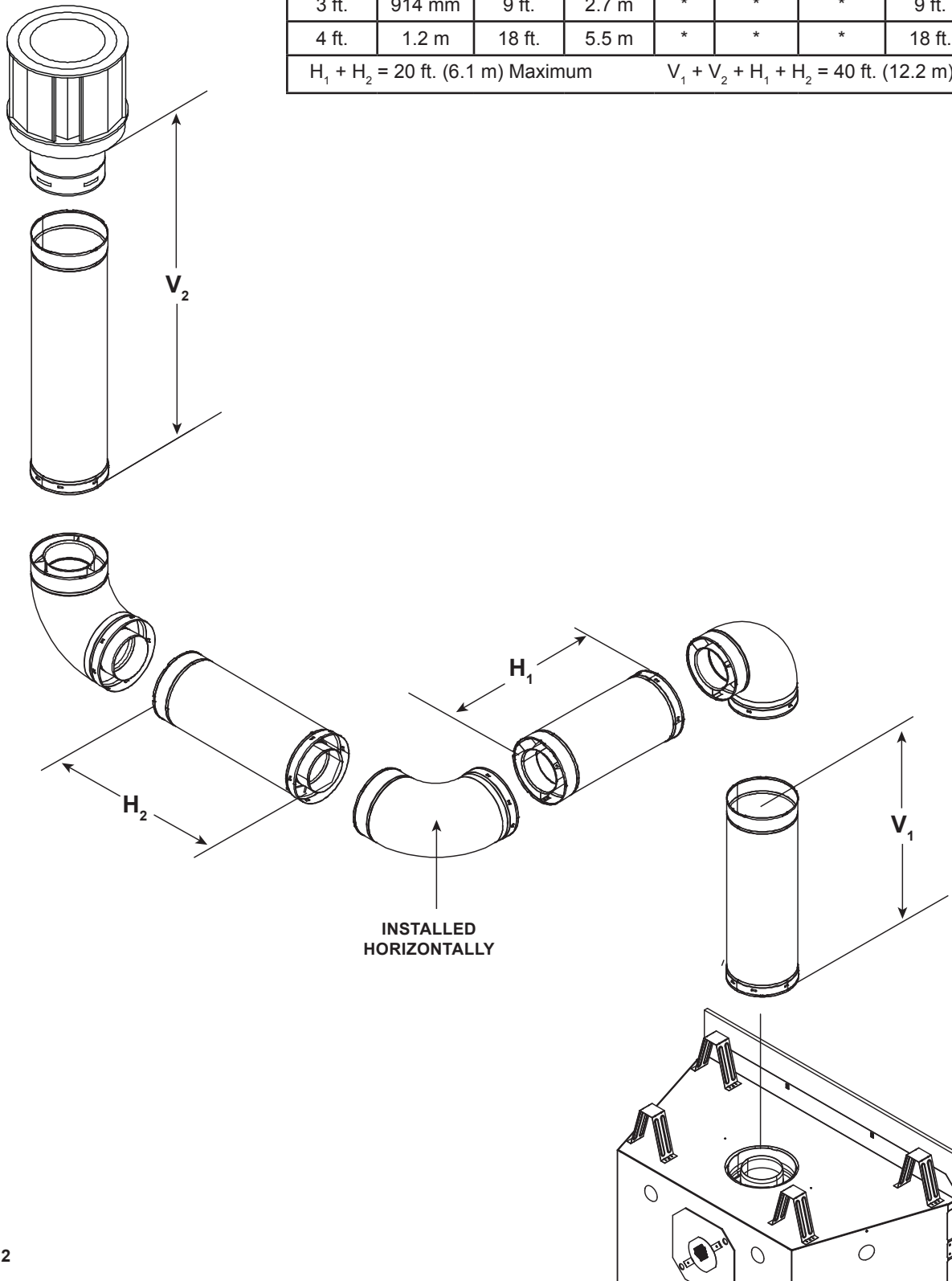


Figure 7.12

Rear Vent - Horizontal Termination

No Elbow

$H_1 = 16 \text{ in. (406 mm) Maximum}$

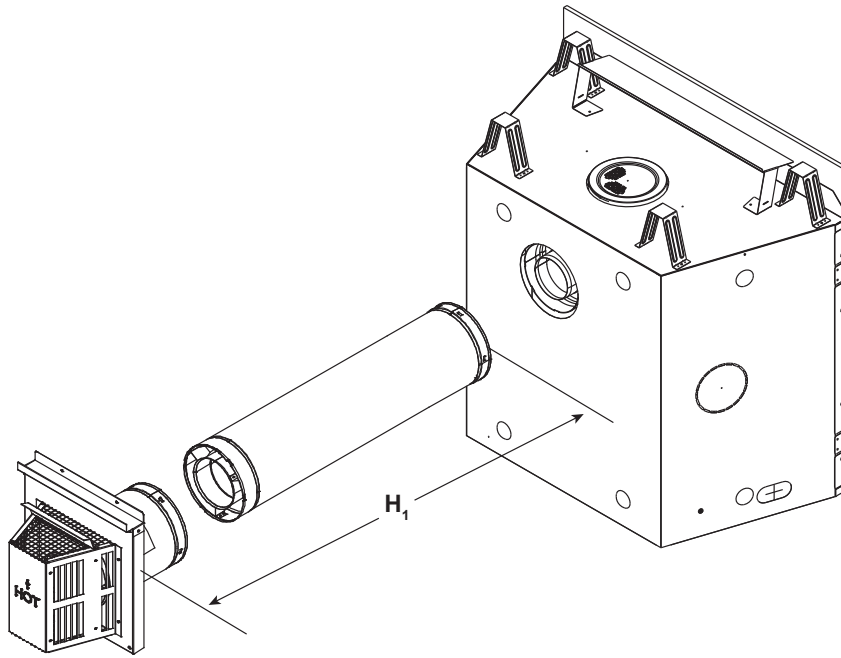


Figure 7.13

One 45° Elbow

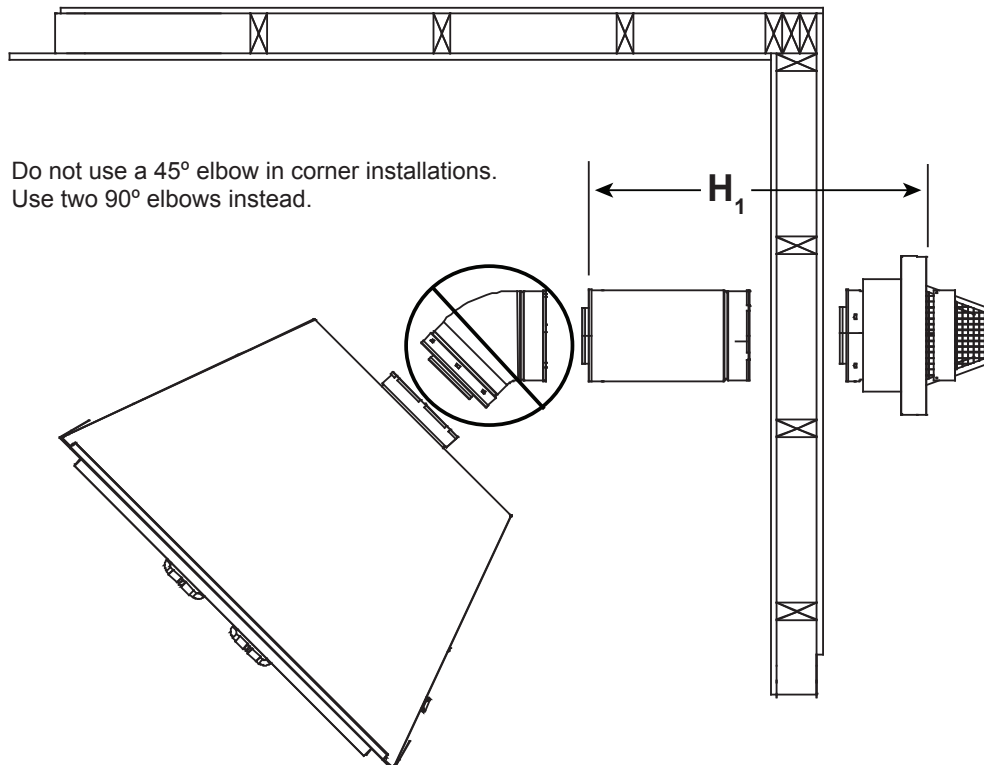


Figure 7.14

Rear Vent - Horizontal Termination - (continued)

Two Elbows

| H ₁ Maximum | | V ₁ Minimum | | H ₂ | | H ₁ + H ₂ Maximum | |
|------------------------|--------|-------------------------|--------|----------------|--------|---|--------|
| 1 ft. | 305 mm | Back to Back 90° Elbows | | 1 ft. | 305 mm | 2 ft. | 610 mm |
| 2 ft. | 610 mm | 6 in. | 152 mm | 2 ft. | 610 mm | 4 ft. | 1.2 m |
| 3 ft. | 914 mm | 1 ft. | 305 mm | 2 ft. | 610 mm | 5 ft. | 1.5 m |
| 3 ft. | 914 mm | 2 ft. | 610 mm | 4 ft. | 1.2 m | 7 ft. | 2.1 m |
| 3 ft. | 914 mm | 3 ft. | 914 mm | 9 ft. | 2.7 m | 12 ft. | 3.7 m |
| 3 ft. | 914 mm | 4 ft. | 1.2 m | 17 ft. | 5.2 m | 20 ft.* | 6.1 m* |

$V_1 + H_1 + H_2 = 40 \text{ ft. (12.2 m) Maximum}$ $H_1 = 3 \text{ ft. (914 mm) Maximum}$
 $*H_1 + H_2 = 20 \text{ ft (6.1 m) Maximum}$

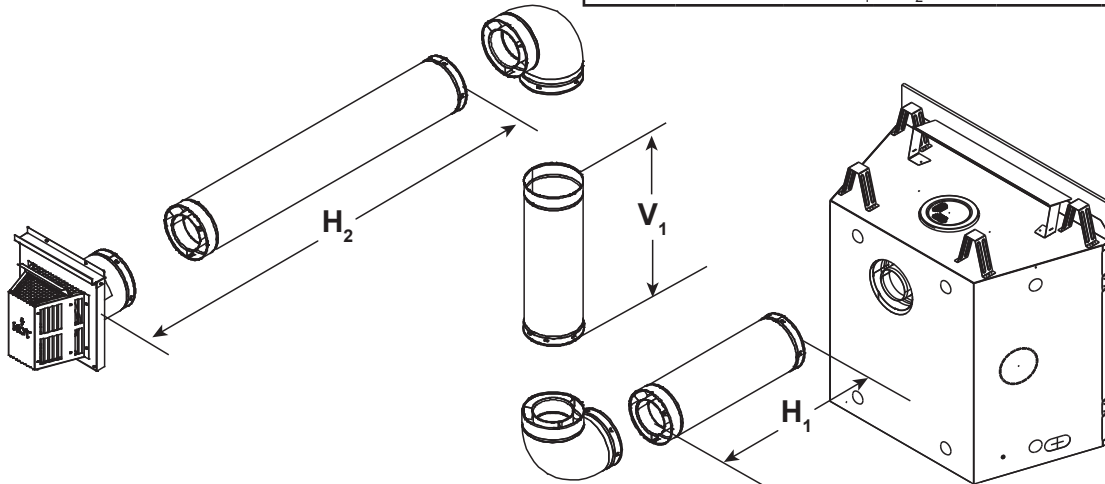


Figure 7.15

Three Elbows

| H ₁ Maximum | | V ₁ Minimum | | H ₂ + H ₃ | | H ₁ + H ₂ + H ₃ Max. | |
|------------------------|--------|-------------------------|--------|---------------------------------|--------|---|--------|
| 1 ft. | 305 mm | Back to Back 90° Elbows | | 1 ft. | 305 mm | 2 ft. | 610 mm |
| 2 ft. | 610 mm | 6 in. | 152 mm | 1.5 ft. | 457 mm | 3.5 ft. | 1.1 m |
| 3 ft. | 914 mm | 1 ft. | 305 mm | 2 ft. | 610 mm | 5 ft. | 1.5 m |
| 3 ft. | 914 mm | 2 ft. | 610 mm | 4 ft. | 1.2 m | 7 ft. | 2.1 m |
| 3 ft. | 914 mm | 3 ft. | 914 mm | 9 ft. | 2.7 m | 12 ft. | 3.7 m |
| 3 ft. | 914 mm | 4 ft. | 1.2 m | 12 ft. | 3.7 m | 15 ft. | 4.6 m |

$V_1 + H_1 + H_2 + H_3 = 40 \text{ ft. (12.2 m) Maximum}$ $H_1 = 3 \text{ ft. (914 mm) Maximum}$
 $H_1 + H_2 + H_3 = 20 \text{ ft. (6.1 m) Maximum}$

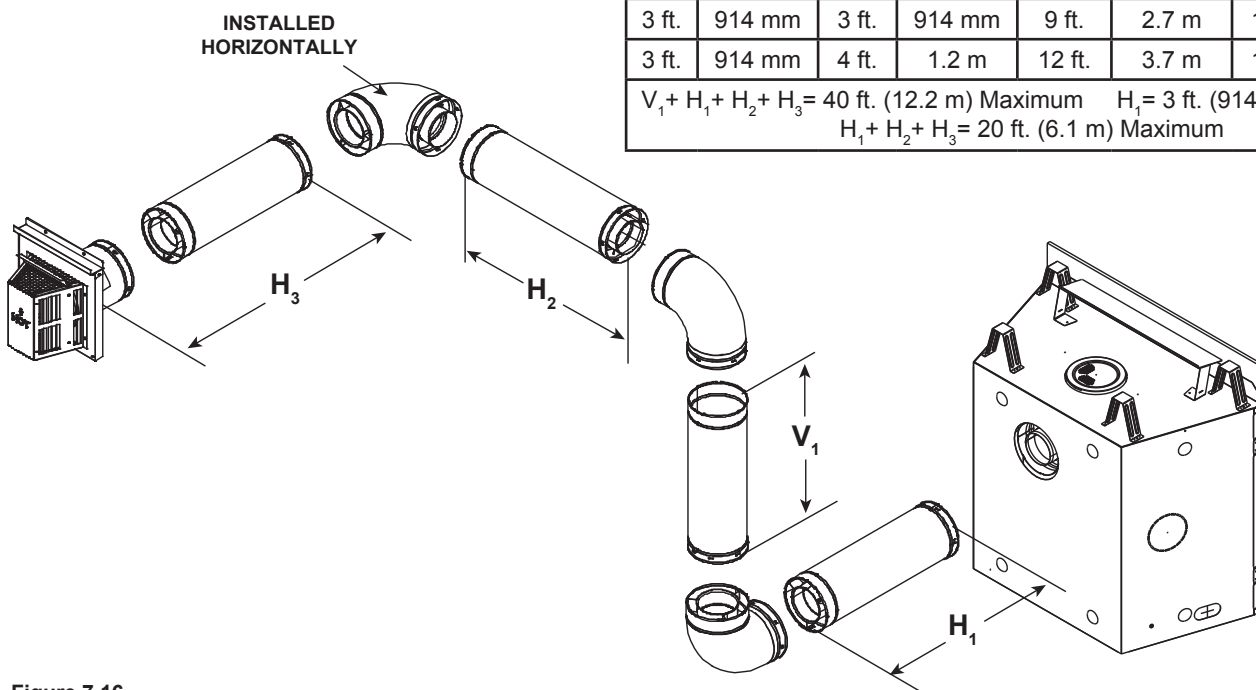
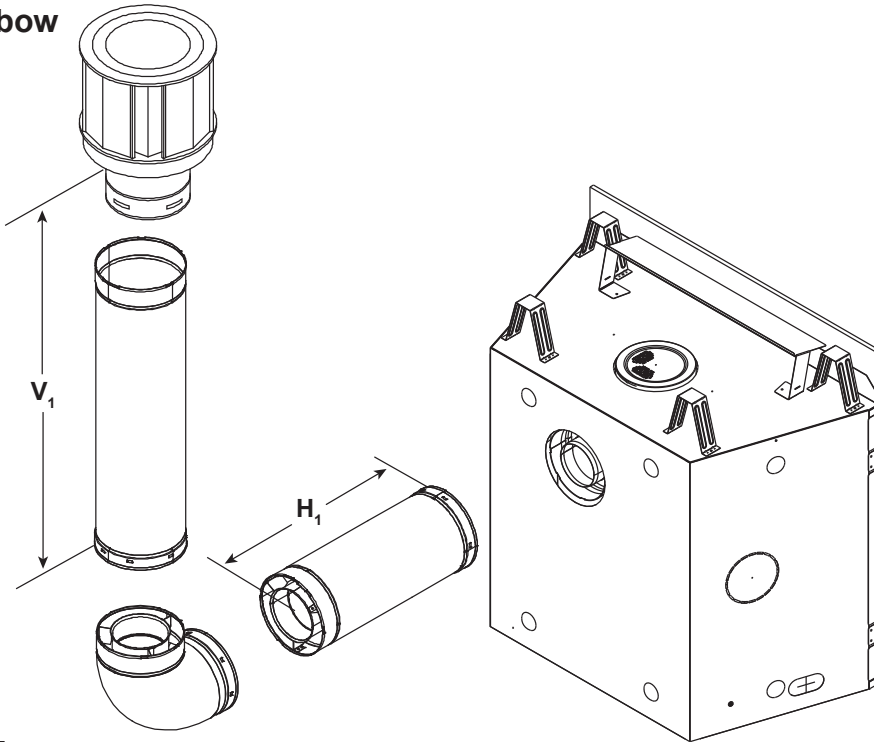


Figure 7.16

Rear Vent - Vertical Termination

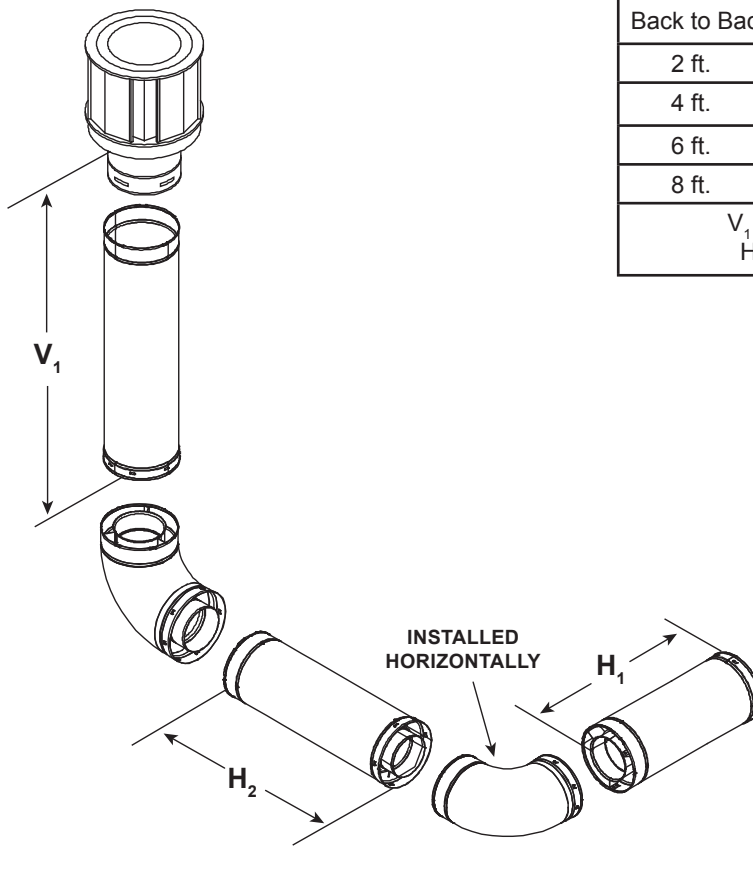
One Elbow



| V ₁ Minimum | | H ₁ Maximum | |
|---|--------|------------------------|--------|
| 6 in. | 152 mm | 2 ft. | 610 mm |
| 1 ft. | 305 mm | 3 ft. | 914 mm |
| 2 ft. | 610 mm | 5 ft. | 1.5 m |
| 3 ft. | 914 mm | 7 ft. | 2.1 m |
| 4 ft. | 1.2 m | 8 ft. | 2.4 m |
| 5 ft. | 1.5 m | 8 ft. | 2.4 m |
| V ₁ + H ₁ = 40 ft. (12.2 m) Maximum | | | |
| H ₁ = 8 ft. (2.4 m) Maximum | | | |

Figure 7.17

Two Elbows

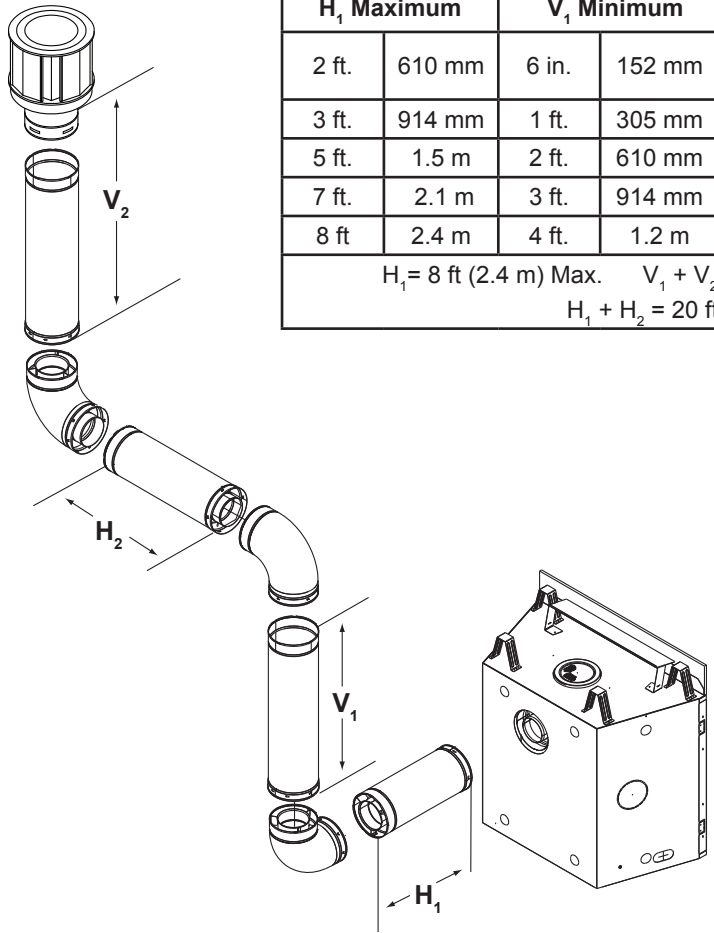


| V ₁ Minimum | | H ₁ + H ₂ Maximum | |
|---|--------|---|--------|
| Back to Back 90° Elbows | | 3 ft. | 914 mm |
| 2 ft. | 610 mm | 6 ft. | 1.8 m |
| 4 ft. | 1.2 m | 9 ft. | 2.7 m |
| 6 ft. | 1.8 m | 12 ft. | 3.7 m |
| 8 ft. | 2.4 m | 15 ft. | 4.6 m |
| V ₁ + H ₁ = 40 ft. (12.2 m) Maximum | | | |
| H ₁ + H ₂ = 8 ft. (2.4 m) Maximum | | | |

Figure 7.18

Rear Vent - Vertical Termination - (continued)

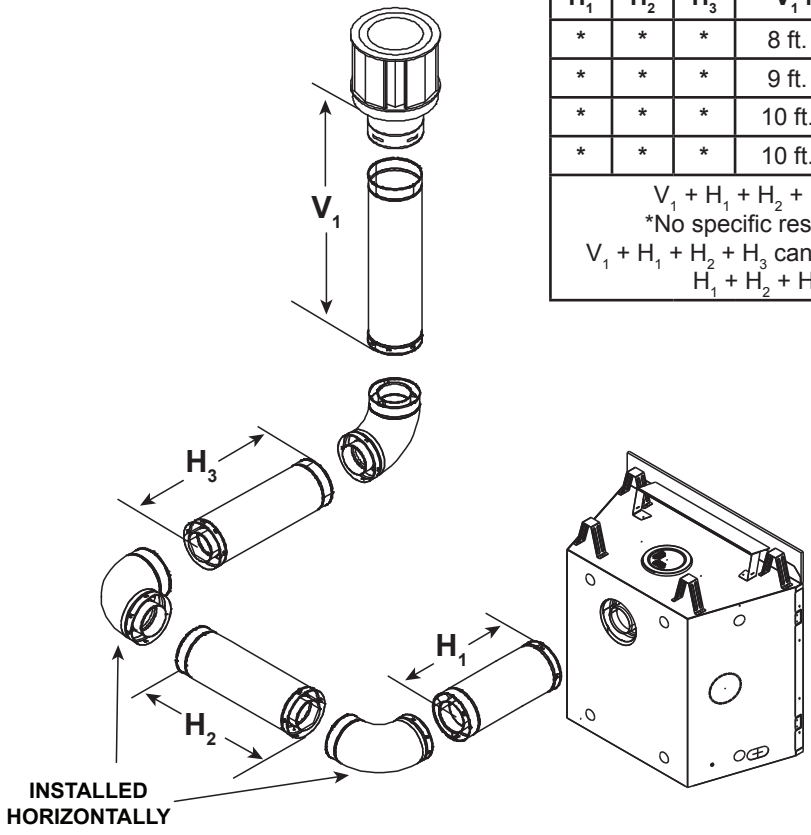
Three Elbows



| H ₁ Maximum | | V ₁ Minimum | | H ₂ | | H ₁ + H ₂ Maximum | |
|---|--------|------------------------|--------|----------------|--------|---|-------|
| 2 ft. | 610 mm | 6 in. | 152 mm | 2 ft. | 610 mm | 4 ft. | 1.2 m |
| 3 ft. | 914 mm | 1 ft. | 305 mm | 4 ft. | 1.2 m | 7 ft. | 2.1 m |
| 5 ft. | 1.5 m | 2 ft. | 610 mm | 6 ft. | 1.8 m | 11 ft. | 3.4 m |
| 7 ft. | 2.1 m | 3 ft. | 914 mm | 8 ft. | 2.4 m | 15 ft. | 4.6 m |
| 8 ft. | 2.4 m | 4 ft. | 1.2 m | 10 ft. | 3.1 m | 18 ft. | 5.5 m |
| H ₁ = 8 ft (2.4 m) Max. V ₁ + V ₂ + H ₁ + H ₂ = 40 ft (12.2 m) Max. H ₁ + H ₂ = 20 ft (6.1 m) Max. | | | | | | | |

Figure 7.19

Three Elbows



| H ₁ | H ₂ | H ₃ | V ₁ Minimum | | H ₁ + H ₂ + H ₃ Maximum | |
|--|----------------|----------------|------------------------|-------|--|-------|
| * | * | * | 8 ft. | 2.4 m | 6 ft. | 1.8 m |
| * | * | * | 9 ft. | 2.7 m | 7 ft. | 2.1 m |
| * | * | * | 10 ft. | 3.1 m | 8 ft. | 2.4 m |
| * | * | * | 10 ft. | 3.1 m | 8 ft. | 2.4 m |
| V ₁ + H ₁ + H ₂ + H ₃ = 40 ft. (12.2 m) Maximum *No specific restrictions on this value EXCEPT V ₁ + H ₁ + H ₂ + H ₃ cannot exceed 40 ft. (12.2 m) Maximum H ₁ + H ₂ + H ₃ = 8 ft. (2.4 m) Maximum | | | | | | |

Figure 7.20

Coaxial to Colinear Venting

The coaxial to colinear adapter (DV-46DVA-GCL) is approved for installations into solid fuel masonry or factory built fireplaces that have been installed in accordance with the National, Provincial, State and local building codes. The DV-46DVA-GCL must be recessed into existing masonry fireplace. See Table 1 and Figure 7.21.

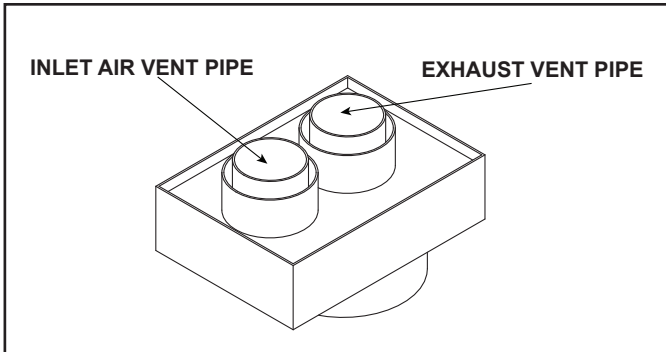


Figure 7.21. Coaxial/Colinear Appliance Connector

WARNING! Risk of Fire! Coaxial to colinear venting configuration may only be used in existing non-combustible chimney. Installation in any other venting application could cause fire.

Prior to installing the gas appliance:

- Have the chimney and adjacent structure inspected and cleaned by qualified professionals. Hearth & Home Technologies recommends that NFI or CSIA certified professionals, or technicians under the direction of certified professionals, conduct a minimum of a NFPA 211 Level 2 inspection of the chimney.
- Replace component parts of the chimney and fireplace as specified by the professionals.
- Ensure all joints are properly engaged and the chimney is properly secured.

Table 1

| CLEARANCE TO COMBUSTIBLES REQUIREMENTS | |
|--|-------|
| DV-46DVA-GCL | 3 IN. |
| Exhaust Vent Pipe | 5 IN. |

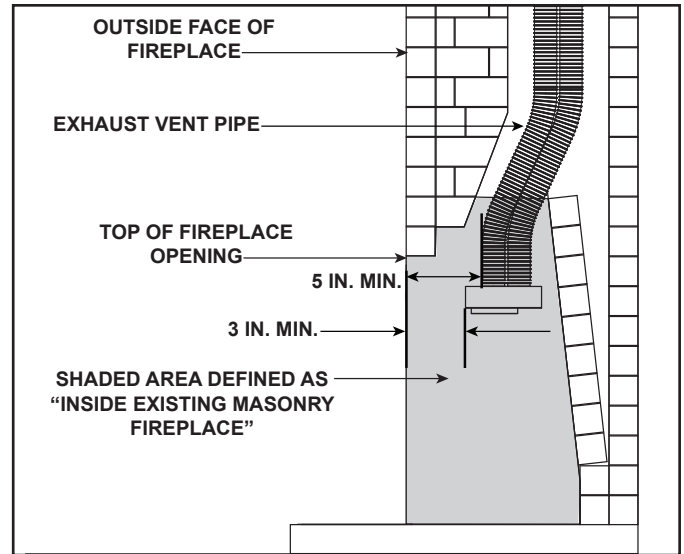


Figure 7.22. Existing Fireplace DV-46-CGL-CGL Clearance Requirements

Clearances to Combustibles:

Refer to Section 5 for clearances to the appliance, mantel, mantel legs and wall projection.

Refer to Section 8 for pipe clearances to combustibles.

Termination Cap

For installation of termination cap see minimum vent heights for various pitched roofs. See Section 6 of appliance owner's manual.

Flue Damper

Fully lock the solid fuel fireplace's flue damper in the open position, OR completely remove it.

Venting Components

The LINK-DV30B is approved for use with the coaxial/colinear venting application. The LINK-DV30B kit includes:

- Two 30 feet sections of flexible vent pipe (3 inches Ø). One section is used to draw combustion air and the other section is used to expel exhaust gases.
- One vertical termination cap.

CAUTION! DO NOT use any flue restrictor when venting with the DV-46DVA-GCL adapter and LINK-DV30B kit. This may result in poor flame appearance, sooting, pilot malfunction, or overheating.

Connecting the DV-46DVA-GCL Adapter to Appliance

Top Vent

- Remove top seal cap and insulation if equipped. See Section 14, "Appliance Setup." Attach the DVP-2SL to the 8 inch starting collar. Follow installation instructions included with DVP-2SL kit. Attach the DV-46DVA-GCL adapter to the appliance starting collar with 3-1/2 in. self-tapping screws. See Figure 7.23.

Rear Vent

- Remove the rear seal cap and insulation if equipped. Connect the DVP-2SL adapter to the vertically positioned elbow. Follow installation instructions included with DVP-2SL kit. Secure DV-46DVA-GCL adapter to DVP-2SL with 3-1/2 in. self-tapping screws. See Figure 7.23.

Connecting the LINK-DV30B to the DV-46DVA-GCL adapter

- Insert the two sections of flexible vent pipe down the existing chimney.
- Attach one section of stainless steel flex pipe to the exhaust collar on top of the DV-46DVA-GCL adapter with

three screws.

- Attach one section of flexible vent pipe to the stainless steel flex pipe with three self-tapping screws.
- Attach one section of flexible vent pipe to the inlet collar on top of the DV-46DVA-GCL adapter with three self-tapping screws.
- To minimize cold air drafts, seal around the flex vents at the damper inside the chimney with non-combustible unfaced fiberglass or rock wool insulation.

The DV-46DVA-GCL adapter must be recessed into existing masonry fireplace. This measurement is taken from the top of the fireplace opening. See Table 1 and Figure 7.22.

WARNING! Risk of Fire, Explosion or Asphyxiation!
Do NOT connect this gas appliance to a chimney flue serving a separate solid fuel or gas burning appliance.

- May impair safe operation of this appliance or other appliances connected to the flue.
- Vent this appliance directly outside.
- Use separate vent system for this appliance.

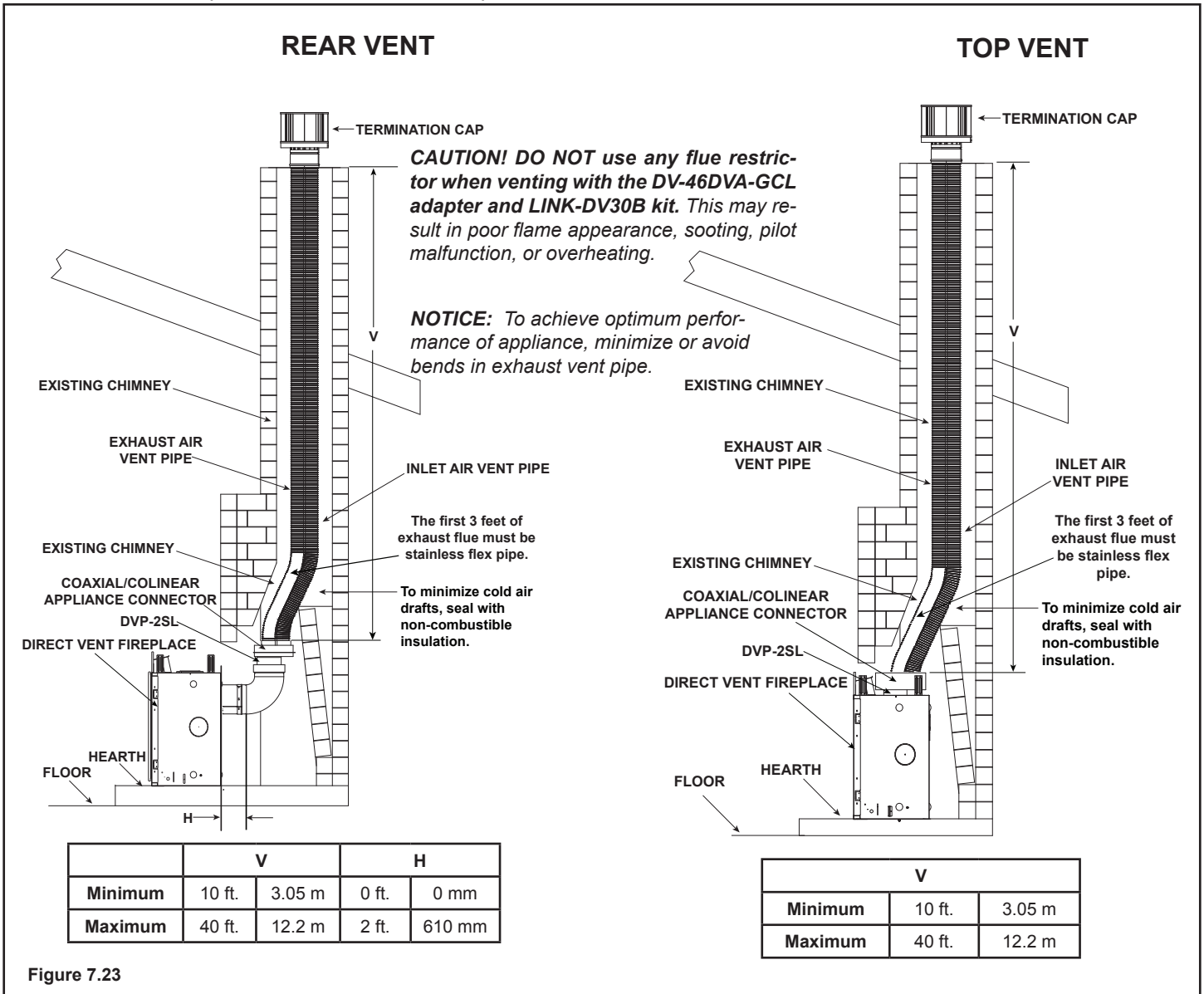


Figure 7.23

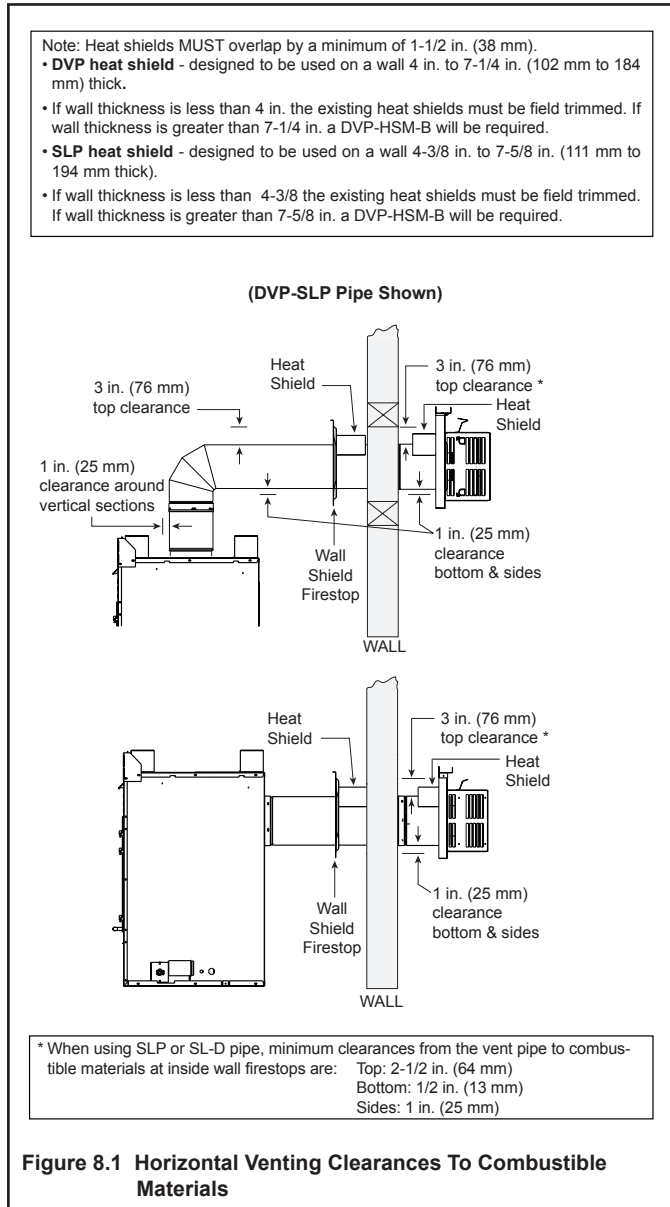
8 Vent Clearances and Framing

A. Pipe Clearances to Combustibles

WARNING! Risk of Fire! Maintain air space clearance to vent. DO NOT pack insulation or other combustibles:

- Between ceiling firestops
- Between wall shield firestops
- Around vent system

Failure to keep insulation or other material away from vent pipe may cause over heating and fire.



B. Wall Penetration Framing

Combustible Wall Penetration

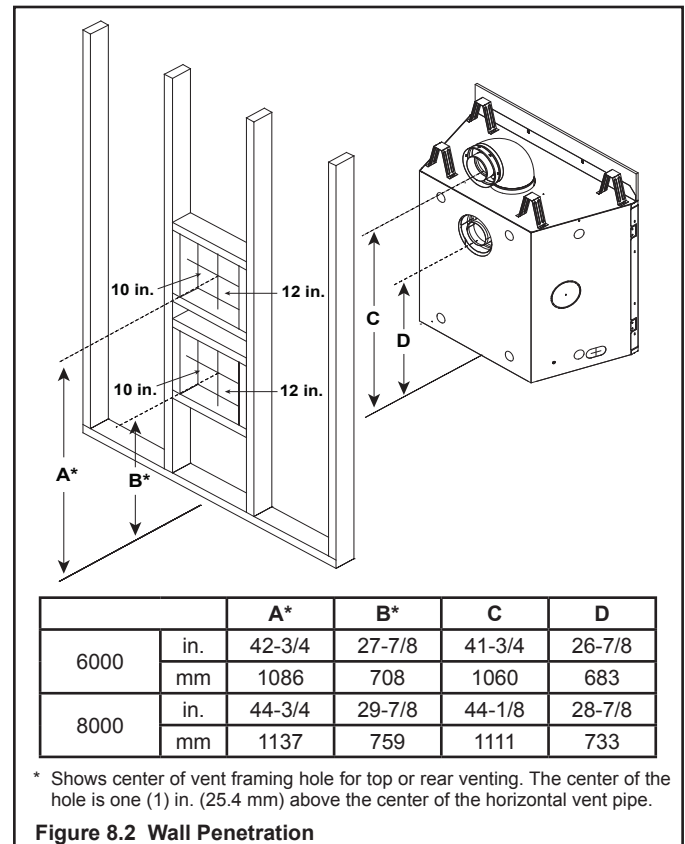
Whenever a combustible wall is penetrated, you must frame a hole for the wall shield firestop(s). The wall shield firestop maintains minimum clearances and prevents cold air infiltration.

- The opening must be framed on all four sides using the same size framing materials as those used in the wall construction.
- SLP pipe - A wall shield firestop must be placed on each side of an interior wall. A minimum 1-1/2 in. (38 mm) overlap of attached heat shields must be maintained.
- DVP pipe - A wall shield firestop is required on one side only on interior walls. If your local inspector requires a wall shield firestop on both sides, then both wall shield firestops must have a heat shield (refer to Section 16.B.) attached to them.
- See Section 10.M. for information for regarding the installation of a horizontal termination cap.

Non-Combustible Wall Penetration

If the hole being penetrated is surrounded by noncombustible materials such as concrete, a hole with diameter one inch greater than the pipe is acceptable.

Whenever a non-combustible wall is penetrated, the wall shield firestop is only required on one side and no heat shield is necessary.



C. Install the Ceiling Firestop

A ceiling firestop **MUST** be used between floors and attics.

- **DVP pipe only** - Frame an opening 10 in. by 10 in. (254 mm by 254 mm) whenever the vent penetrates a ceiling/floor (see Figure 8.3).
- **SLP pipe only** - Frame opening 9 in. x 9 in. (229 mm x 229 mm) whenever the vent penetrates a ceiling/floor (see Figure 8.3).
- Frame the area with the same sized lumber as used in ceiling/floor joist.
- The ceiling firestop may be installed above or below the ceiling joists when installed with a attic insulation shield. It must be under joists between floors that are not insulated. Refer to Figure 8.4.
- Secure with three fasteners on each side.

WARNING! Risk of Fire! DO NOT pack insulation around the vent. Insulation must be kept back from the pipe to prevent overheating.

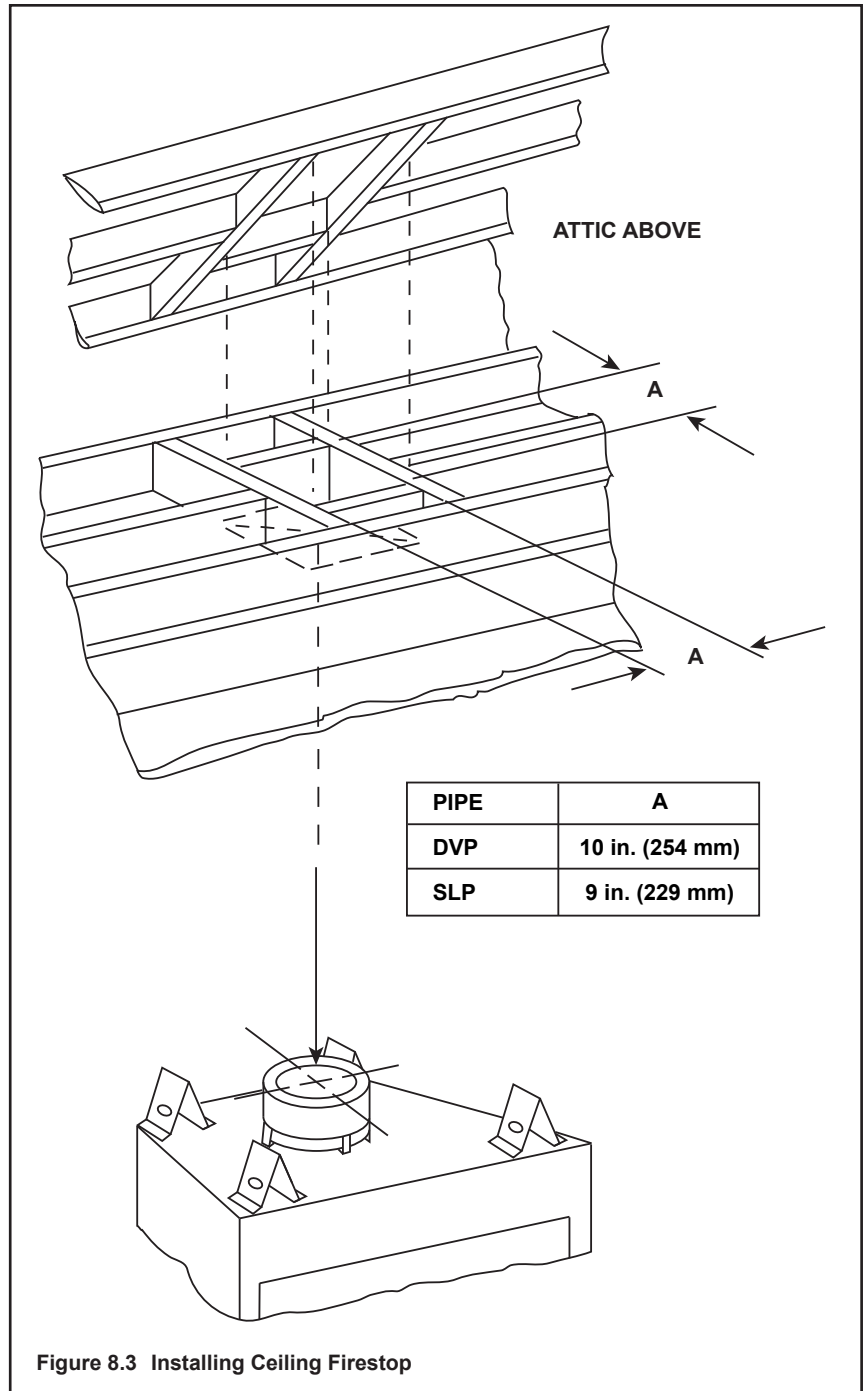


Figure 8.3 Installing Ceiling Firestop

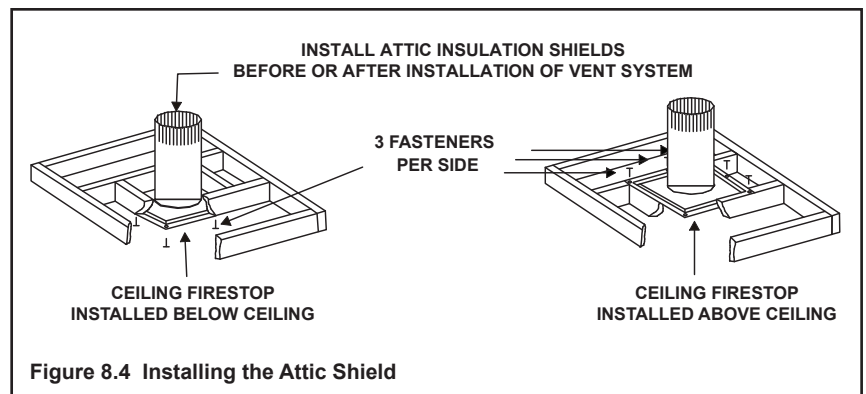


Figure 8.4 Installing the Attic Shield

D. Install Attic Insulation Shield

WARNING! Fire Risk. DO NOT allow loose materials or insulation to touch vent. Hearth & Home Technologies Inc. requires the use of an attic shield.

The National Fuel Gas Code ANSI Z223.1 and NFPA 54 requires an attic shield constructed of 26 gauge minimum metal that extends at least 2 in. (51 mm) above insulation.

Attic shields must meet specified clearance and be secured in place.

Flat Ceiling Installation

- Remove one shield from box.

NOTICE: Cut previously installed batt insulation to make room for the attic insulation shield.

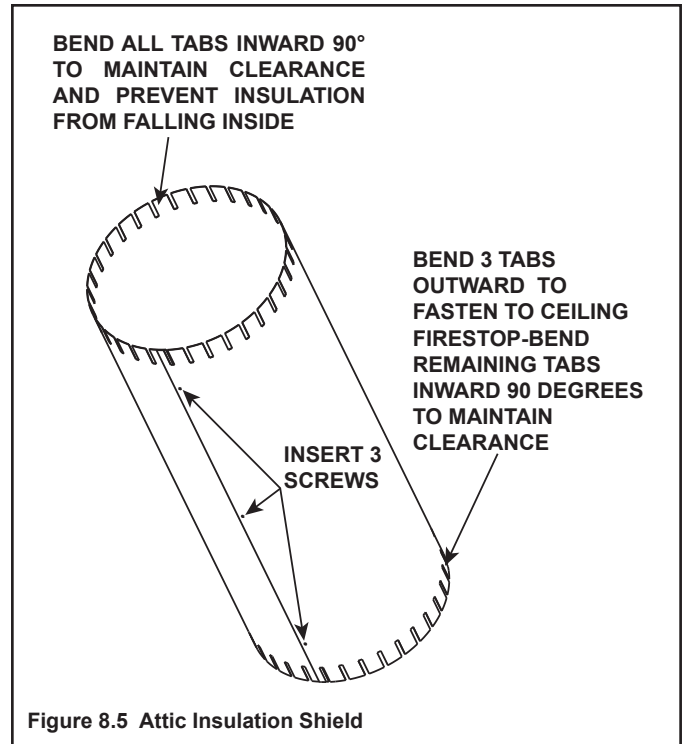
- Wrap shield around pipe if pipe is already installed in area to be insulated.
- Match the three holes in each side and fasten with three screws to form a tube.
- Bend three tabs on the bottom of the shield outward to allow attachment to the ceiling firestop.
- Bend the remaining bottom tabs inward 90° to maintain the air space between the pipe and the shield. Set the shield on the ceiling firestop and attach to the firestop.
- Bend all tabs inward 90° around the top of the shield. These tabs must be used to prevent blown insulation from getting between the shield and vent pipe, and to maintain air space clearance.

Vaulted Ceiling Installation

- Remove one shield from box.

NOTICE: Cut previously installed batt insulation to make room for the attic insulation shield.

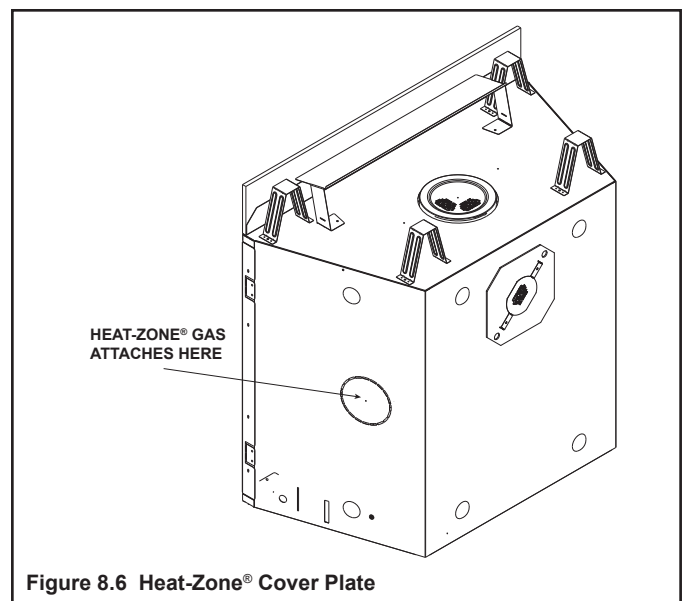
- Cut the attic insulation shield (if application is for vaulted ceiling) to fit your ceiling pitch. Snip cut edge to recreate 1 in. bend tabs all the way around the bottom.
- Wrap shield around pipe if pipe is already installed in area to be insulated.
- Match the three holes in each side and fasten with three screws to form a tube.
- Bend three tabs on the bottom of the shield outward to allow attachment to the ceiling firestop.
- Bend the remaining bottom tabs inward 90° to maintain the air space between the pipe and the shield. Set the shield on the ceiling firestop and attach to the firestop.
- Bend all tabs inward 90° around the top of the shield. These tabs must be used to prevent blown insulation from getting between the shield and vent pipe, and to maintain air space clearance.



E. Installing the Optional Heat-Zone® Gas Kit

- Remove the knockout from the fireplace and discard it (see Figure 8.6).
- Center the duct collar around the exposed hole and attach it to the fireplace with 3 screws. Note: Do this BEFORE final positioning of fireplace.
- Determine the location for the air register/fan housing assembly.

Reference the Heat-Zone® Gas kit instructions for the remaining installation steps.



9 Appliance Preparation

A. Top Vent

CAUTION! Risk of Cuts, Abrasions or Flying Debris. Wear protective gloves and safety glasses during installation. Sheet metal edges are sharp.

NOTICE: Once appliance is set up for top or rear venting, it **CANNOT** be changed at a later time.

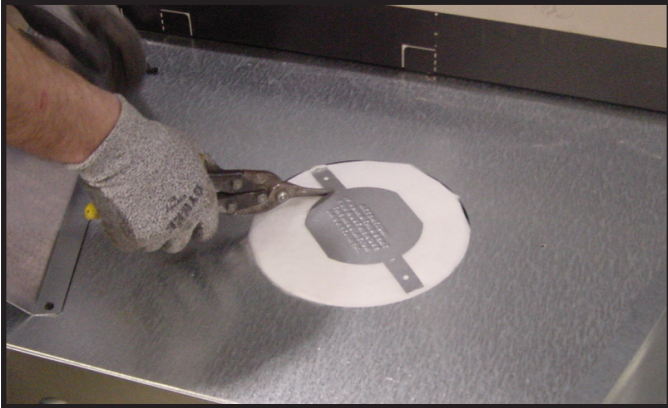


Figure 9.1 Cut the seal cap strap across the rectangles next to the disk. For rear vent, skip this step.

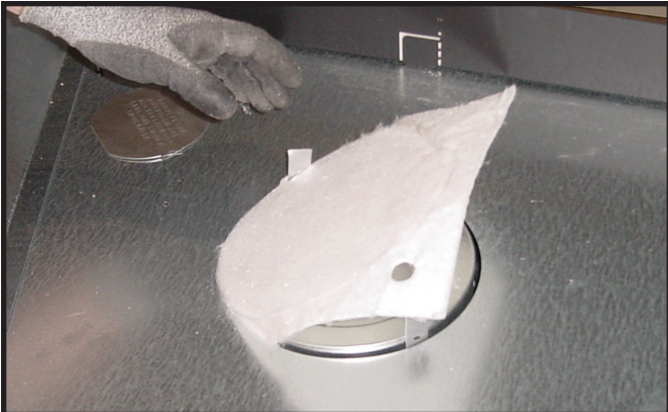


Figure 9.2 Remove the white gasket material covering the seal cap.



Figure 9.3 Remove the seal cap.

NOTICE: Once the seal cap has been removed it **CANNOT** be reattached.



Figure 9.4 Remove the insulation basket and white insulation from the center vent pipe.

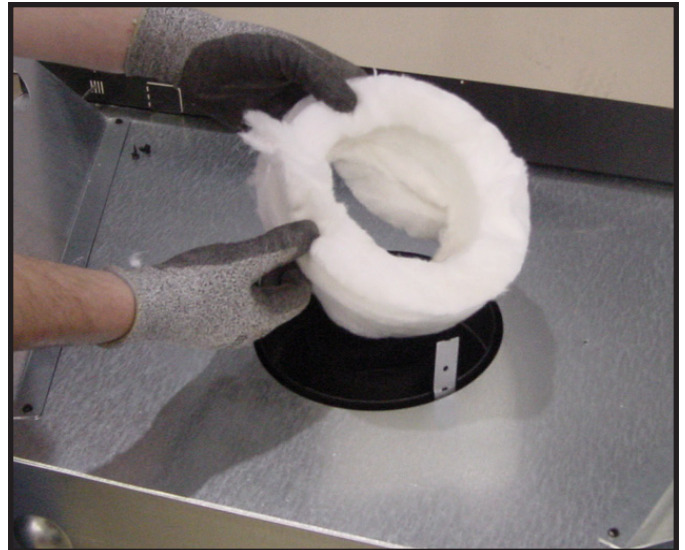


Figure 9.5 Remove the insulation from the outer vent pipe. For rear venting there is no insulation in the outer vent pipe.

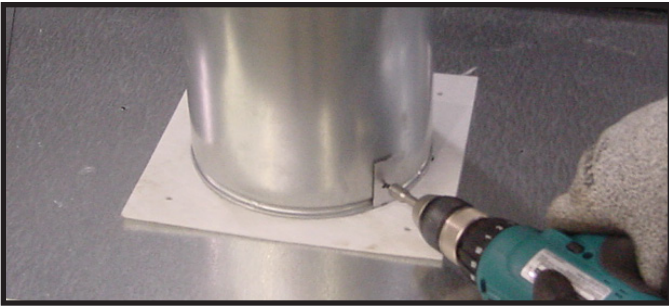


Figure 9.6 To attach the first section of vent pipe, make sure to use the fiberglass gasket in the manual bag to seal between the first vent component and the outer fireplace wrap. Use 2 self tapping screws to secure the gasket to the outer wrap.

Secure the first section of venting to the fireplace by screwing through the two straps left over from cutting the seal cap strap in step 2.

B. Rear Vent

CAUTION! Risk of Cuts, Abrasions or Flying Debris. Wear protective gloves and safety glasses during installation. Sheet metal edges are sharp.

NOTICE: Once appliance is set up for top or rear venting, it CANNOT be changed at a later time.

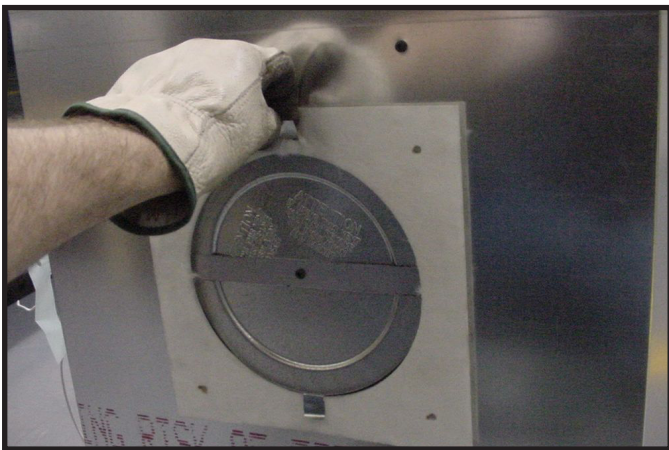


Figure 9.7 Fold the tabs toward the center of the seal cap (90°) and remove the insulation gasket.



Figure 9.8 Cut the metal retaining band and fold the sides out.



Figure 9.9 Fold the center parts of the retaining band out and use to remove the seal cap.

NOTICE: Once the seal cap has been removed it CANNOT be reattached.



Figure 9.10 Discard the vent cap, remove and discard the insulation basket.

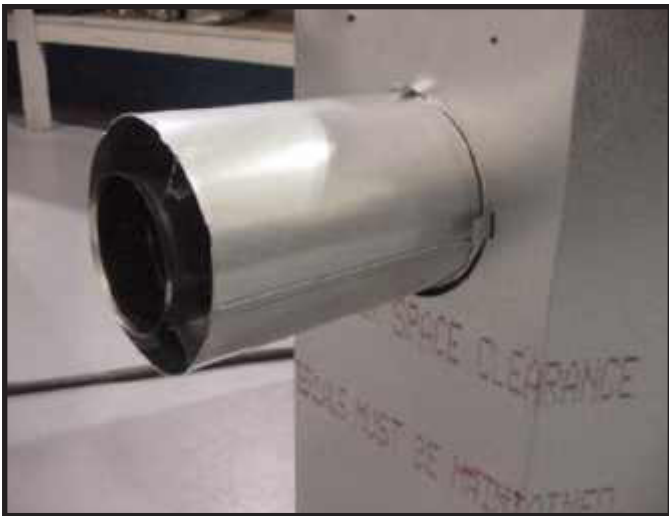


Figure 9.11 Attach the first vent section (it will snap into place). Slide the insulation gasket onto the vent section, up against the appliance and over the tabs.

C. Installing the Non-combustible Board

The factory supplied non-combustible board spans the distance from the top of the fireplace to the center of the framing header. This board must be used. See Figure 9.12.

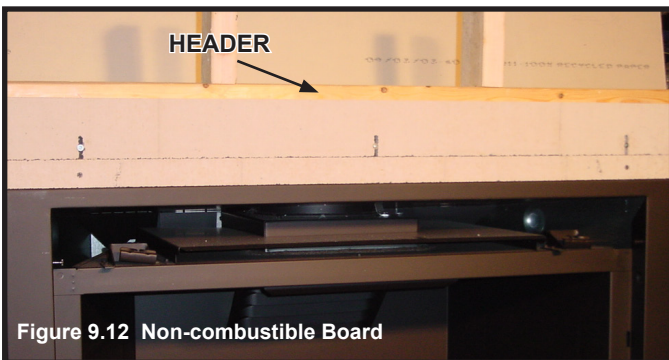


Figure 9.12 Non-combustible Board

D. Securing and Leveling the Appliance

WARNING! Risk of Fire! Prevent contact with:

- Sagging or loose insulation
- Insulation backing or plastic
- Framing and other combustible materials

Block openings into the chase to prevent entry of blown-in insulation. Make sure insulation and other materials are secured.

DO NOT notch the framing around the appliance standoffs.

Failure to maintain air space clearance may cause overheating and fire.

The diagram shows how to properly position and secure the appliance (see Figure 9.15). Nailing tabs are provided to secure the appliance to the framing members.

- Bend out nailing tabs on each side.
- Place the appliance into position.

- Keep nailing tabs flush with the framing.
- Level the appliance from side to side and front to back.
- “Square” the unit by securing diagonal dimensions to within 1/4 inch of each other. See Figure 9.13.
- Shim the appliance as necessary. It is acceptable to use wood shims underneath the appliance.
- Secure the appliance to the framing by using nails or screws through the nailing tabs.
- Secure the appliance to the floor by inserting two screws through the pilot holes at the bottom of the appliance.

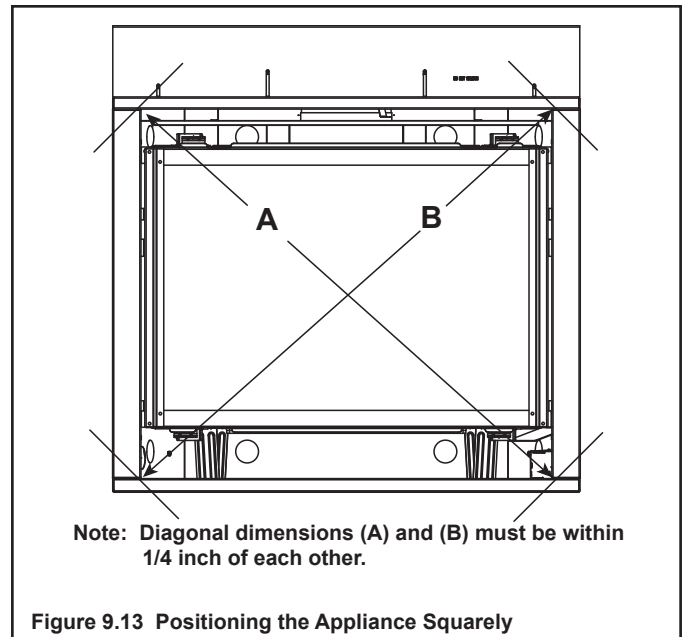


Figure 9.13 Positioning the Appliance Squarely

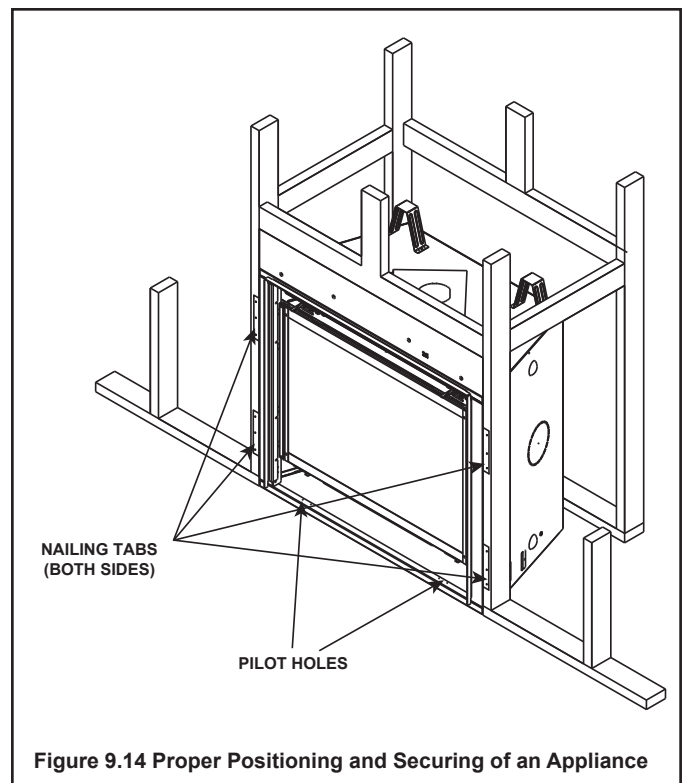


Figure 9.14 Proper Positioning and Securing of an Appliance

10 Installing Vent Pipe (DVP and SLP Pipe)

A. Assemble Vent Sections (DVP Pipe Only)

Attach Vent to the Firebox Assembly

Note: The end of the pipe sections with the lanced tabs will face toward the appliance.

Attach the first pipe section to the starting collar:

- Lanced pipe end to the starting collar
- Inner pipe over inner collar
- Push the pipe section until all lanced tabs snap in place
- Lightly tug on pipe to confirm it has locked.

Commercial, Multi-family (Multi-level exceeding two stories), or High-Rise Applications

All outer pipe joints must be sealed with silicone with a minimum of 300°F continuous exposure rating, including the slip section that connects directly to the horizontal termination cap.

- Apply a bead of silicone sealant inside the female outer pipe joint prior to joining sections. See Figure 10.1
- Only outer pipes need to be sealed. All unit collar, pipe, slip section, elbow and cap outer flues shall be sealed in this manner, unless otherwise stated.

WARNING! Risk of Fire or Explosion! DO NOT break silicone seals on slip sections. Use care when removing termination cap from slip pipe. If slip section seals are broken during removal of the termination cap, vent may leak.

Assemble Pipe Sections

Per Figure 10.2:

- Start the inner pipe on the lanced end of section A into the flared end of section B.
- Start the outer pipe of section A over the outer pipe of section B.
- Once both vents sections are started, push firmly until all lanced tabs lock into place.
- Lightly tug on the pipe to confirm the tabs have locked.

It is acceptable to use screws no longer than 1/2 in. (13 mm) to hold outer pipe sections together. If predrilling holes, **DO NOT** penetrate inner pipe.

For 90° and 45° elbows that are changing the vent direction from horizontal to vertical, one screw minimum should be put in the outer flue at the horizontal elbow joint to prevent the elbow from rotating. Use screws no longer than 1/2 in. (13 mm). If predrilling screw holes, **DO NOT** penetrate inner pipe.



Figure 10.1 High Temperature Silicone Sealant

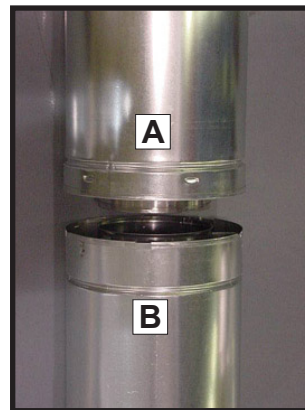


Figure 10.2

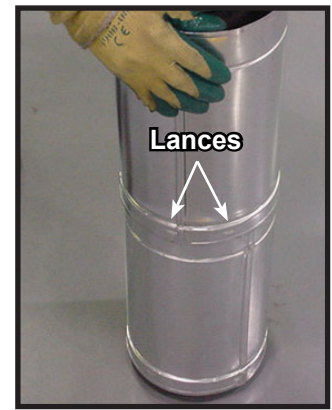


Figure 10.3

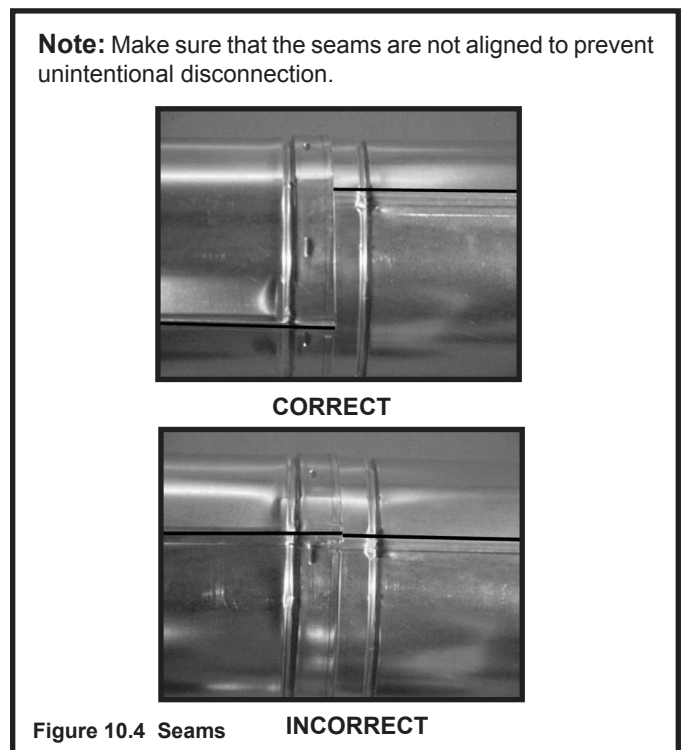


Figure 10.4 Seams

INCORRECT

B. Assemble Vent Sections (SLP Pipe Only)

To attach the first vent component to the starting collars of the appliance:

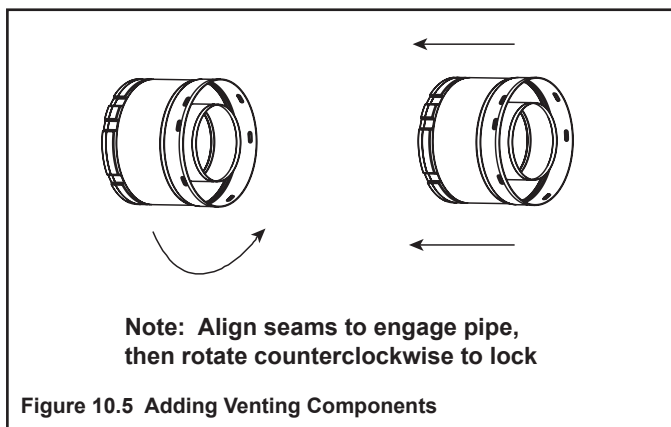
- Attach a DVP-2SL or DVP-SLP24 adapter to the starting collar of the appliance.
- Lock the vent components into place by sliding the pipe section onto the collar.
- Align the seam of the pipe and seam of collar to allow engagement. Rotate the vent component to lock into place. Use this procedure for all vent components. See Figure 10.5.
- Slide the gasket over the first vent section and place it flush to the appliance. This will prevent cold air infiltration. Caulk with a minimum of 300°F continuous exposure rating may be used to hold the part in place.
- Continue adding vent components, locking each succeeding component into place.
- Ensure that each succeeding vent component is securely fitted and locked into the preceding component.

Commercial, Multi-family (Multi-level exceeding two stories), or High-Rise Applications

For Installation into a commercial, multi-family (multi-level exceeding two stories) or high-rise applications: All outer pipe joints must be sealed with silicone with a minimum of 300°F continuous exposure rating, including the slip section that connects directly to the horizontal termination cap.

- Apply a bead of silicone sealant inside the female outer pipe joint prior to joining sections. See Figure 10.1.
- Only outer pipes need to be sealed. All unit collar, pipe, slip section, elbow and cap outer flues shall be sealed in this manner, unless otherwise stated.

WARNING! Risk of Fire or Explosion! DO NOT break silicone seals on slip sections. Use care when removing termination cap from slip pipe. If slip section seals are broken during removal of the termination cap, vent may leak.



C. Assemble Slip Sections

- Slide the inner flue of the slip section into the inner flue of the pipe section and the outer flue of the slip section over the outer flue of the pipe section. See Figure 10.6.
- Slide together to the desired length.

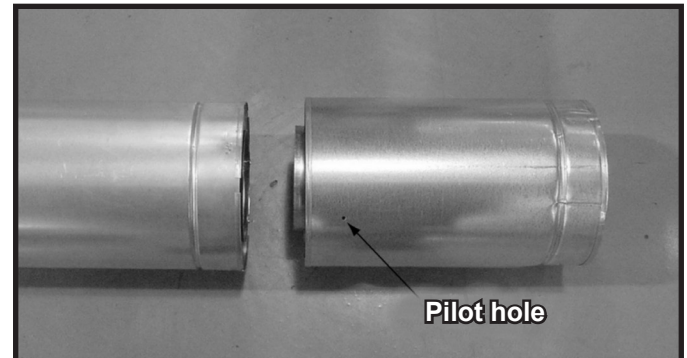


Figure 10.6 Slip Section Pilot Holes

- Maintain a 1-1/2 in. (38 mm) overlap between the slip section and the pipe section.
- Secure the pipe and slip section with two screws no longer than 1/2 in. (13 mm), using the pilot holes in the slip section. See Figure 10.7.

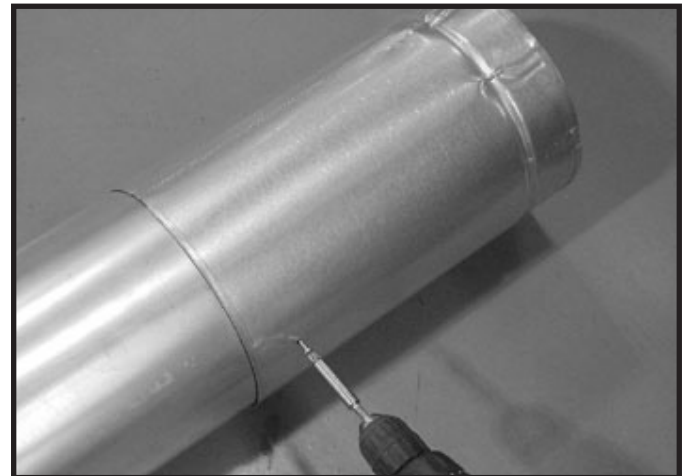


Figure 10.7 Screws into Slip Section

- Continue adding pipe as necessary following instructions in "Assembling Pipe Sections."

NOTICE: If slip section is too long, the inner and outer flues of the slip section can be cut to the desired length.

NOTICE: When installing a vent system with an HRC termination cap, all pipe system joints shall be sealed using silicone sealant with a minimum of 300°F continuous exposure rating.

- Apply a bead of silicone sealant inside the female outer pipe joint prior to joining sections.
- Only outer pipes are sealed, sealing the inner flue is not required.
- All unit collar, pipe, slip section, elbow and cap outer flues shall be sealed.

D. Secure the Vent Sections

- Vertical runs of DVP pipe must be supported every 8 ft. (2.44 m) after the 25 ft. (7.62 m) maximum unsupported rise.
- Vertical runs of SLP pipe must be supported every 8 ft. (2.44 m).
- Horizontal sections must be supported every 5 feet (1.52 m).
- Vent supports or plumbers strap (spaced 120° apart) may be used to support vent sections. See Figures 10.8 and 10.9.
- Wall shield firestops may be used to provide horizontal support vent sections.
- SLP ceiling firestops have tabs that may be used to provide vertical support.

WARNING! Risk of Fire, Explosion or Asphyxiation! Improper support may allow vent to sag and separate. Use vent run supports and connect vent sections per installation instructions. **DO NOT** allow vent to sag below connection point to appliance.

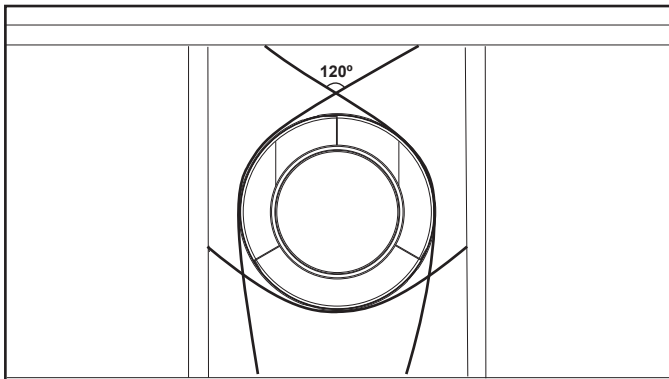


Figure 10.8 Securing Vertical Pipe Sections

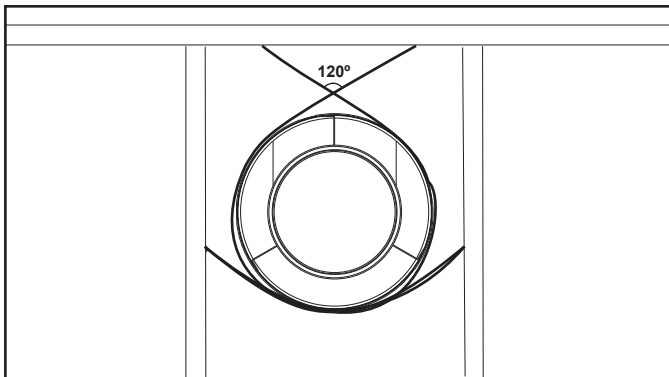


Figure 10.9 Securing Horizontal Pipe Sections

E. Disassemble Vent Sections

- Rotate either section (see Figure 10.10) so the seams on both pipe sections are aligned as shown in Figure 10.11.
- Pull carefully to separate the pieces of pipe.

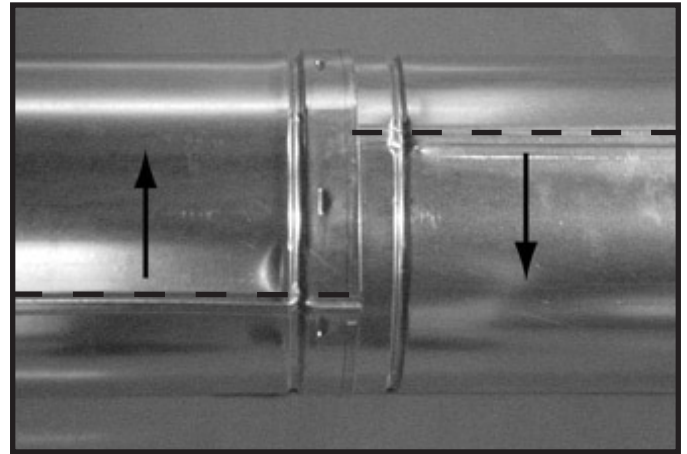


Figure 10.10 Rotate Seams for Disassembly

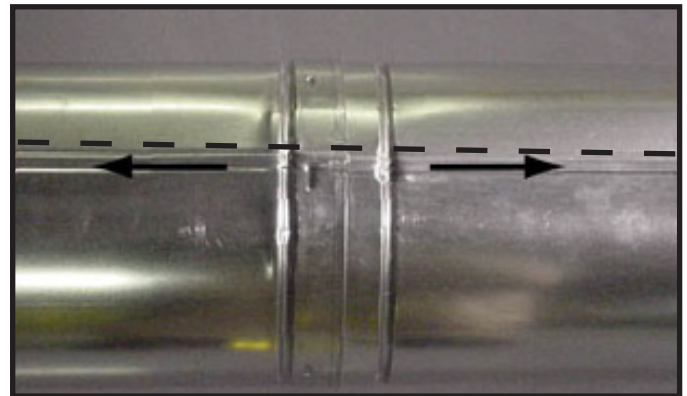


Figure 10.11 Align and Disassemble Vent Sections

F. Install Decorative Ceiling Components (SLP only)

A decorative ceiling thimble can be installed on a flat ceiling through which the vent passes. The decorative ceiling thimble is used to cover the firestop.

- Seal the gap between the vent pipe and firestop using silicone with a minimum of 300°F continuous exposure rating to prevent cold air infiltration.
- Install the decorative ceiling thimble by sliding it up to the ceiling and attaching it using the provided screws.

A decorative cathedral ceiling support box can be installed on a cathedral ceiling through which the vent passes.

- Use a plumb-bob to mark the center line of the venting system on the ceiling and drill a small hole through the ceiling and roof at this point. Locate the hole and mark the outline of the cathedral ceiling support box on the outside roof.
- Remove shingles or other roof covering as necessary to cut the rectangular hole for the support box. Cut the hole 1/8 in. (3 mm) larger than the support box outline.
- Lower the support box through the hole in the roof until its bottom is at least 2 in. (51 mm) below the ceiling (Figure 10.12).
- Level the support box both vertically and horizontally and temporarily tack it in place through the inside walls into the roof sheathing.
- Use tin snips to cut the support box from the top corners down to the roof line and fold the resulting flaps to the roof. See Figure 10.13.
- Nail the flaps to the roof AFTER running a bead of non hardening sealant between the flaps and the roof.

WARNING! Risk of Fire! Clean out ALL materials from inside the support box and complete the vertical vent run and termination.

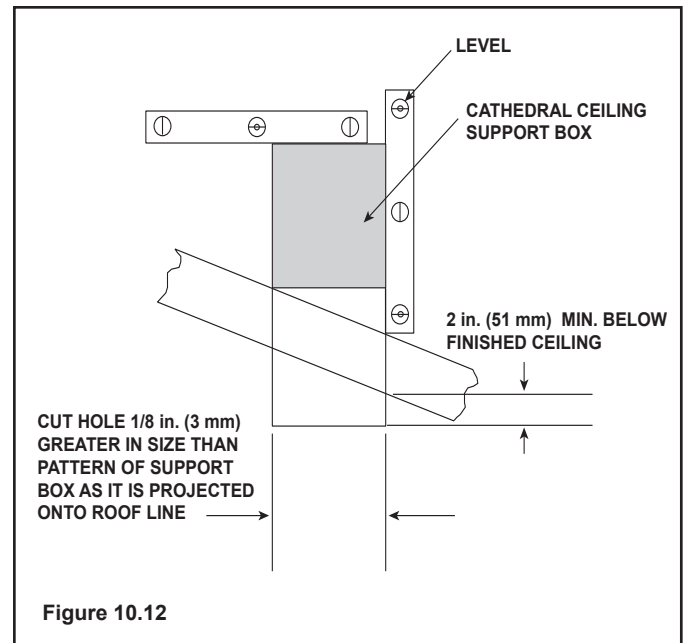


Figure 10.12

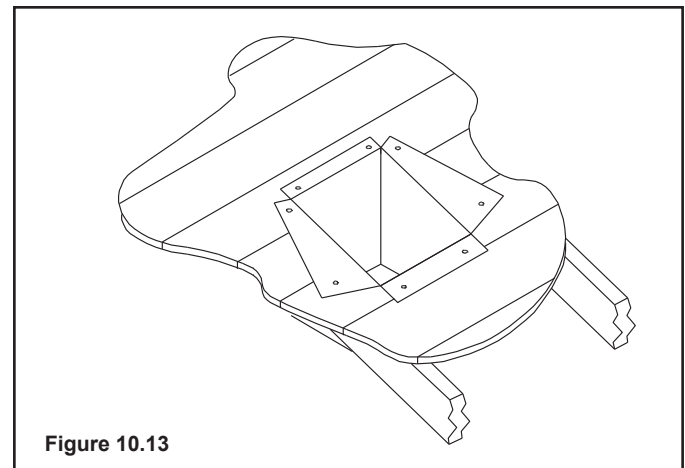
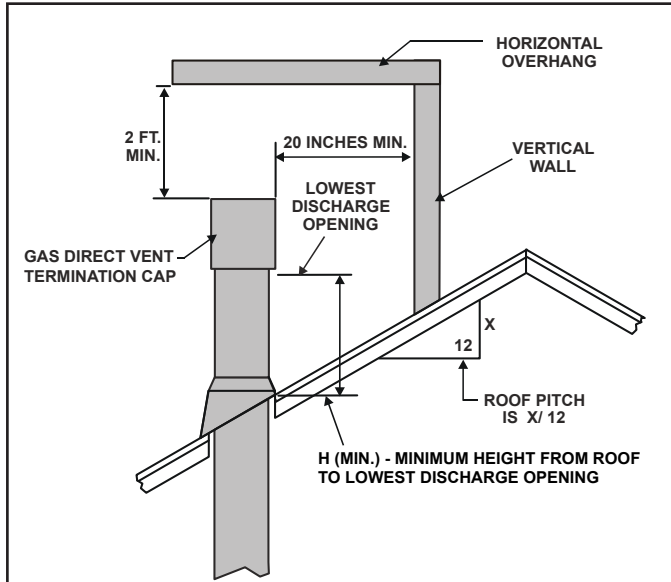


Figure 10.13

G. Install Metal Roof Flashing

- See minimum vent heights for various pitched roofs (Figure 10.14) to determine the length of pipe to extend through the roof.
- Slide the roof flashing over the pipe sections extending through the roof as shown in Figure 10.15.



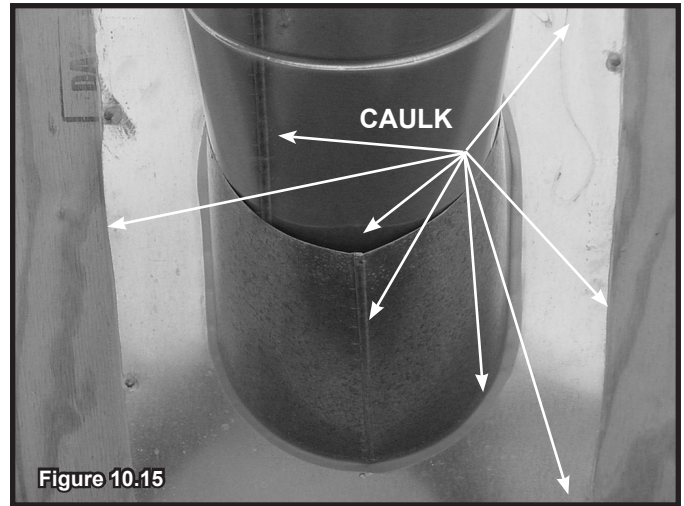
| Roof Pitch | H (Min.) Ft. |
|--------------------------|--------------|
| Flat to 6/12..... | 1.0* |
| Over 6/12 to 7/12..... | 1.25* |
| Over 7/12 to 8/12..... | 1.5* |
| Over 8/12 to 9/12..... | 2.0* |
| Over 9/12 to 10/12..... | 2.5 |
| Over 10/12 to 11/12..... | 3.25 |
| Over 11/12 to 12/12..... | 4.0 |
| Over 12/12 to 14/12..... | 5.0 |
| Over 14/12 to 16/12..... | 6.0 |
| Over 16/12 to 18/12..... | 7.0 |
| Over 18/12 to 20/12..... | 7.5 |
| Over 20/12 to 21/12..... | 8.0 |

* 3 foot minimum in snow regions

Figure 10.14 Minimum Height From Roof To Lowest Discharge Opening

NOTICE: Failure to properly caulk the roof flashing and pipe seams may permit entry of water.

- Caulk the gap between the roof flashing and the outside diameter of the pipe.
- Caulk the perimeter of the flashing where it contacts the roof surface. See Figure 10.15.
- Caulk the overlap seam of any exposed pipe sections that are located above the roof line.



H. Assemble and Install Storm Collar

CAUTION! Risk of Cuts, Abrasions or Flying Debris. Wear protective gloves and safety glasses during installation. Sheet metal edges are sharp.

- Connect both halves of the storm collar with two screws (see Figure 10.16).
- Wrap the storm collar around the exposed pipe section closest to the roof and align brackets. Insert a bolt (provided) through the brackets and tighten the nut to complete the storm collar assembly. Make sure the collar is tight against the pipe section.
- Slide the assembled storm collar down the pipe section until it rests on the roof flashing (see Figure 10.17).
- Caulk around the top of the storm collar (see Figure 10.18).

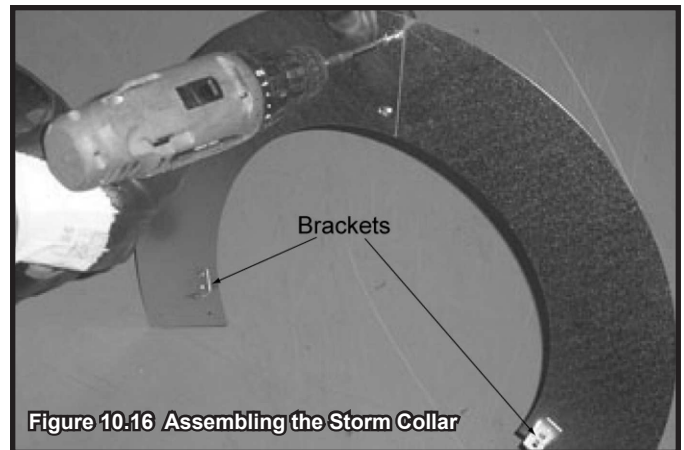


Figure 10.16 Assembling the Storm Collar

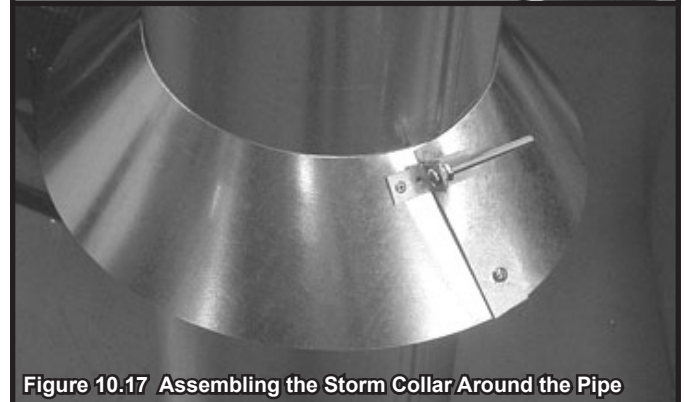
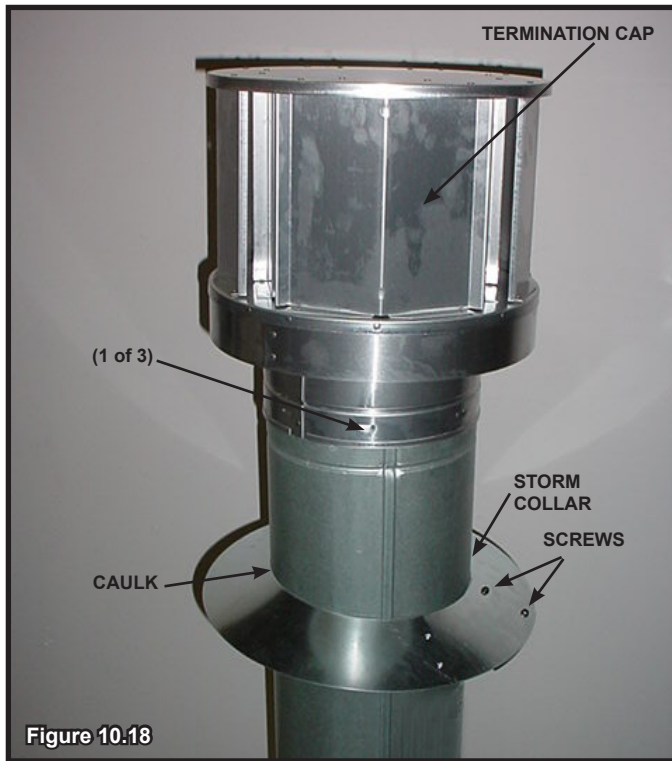


Figure 10.17 Assembling the Storm Collar Around the Pipe

I. Install Vertical Termination Cap

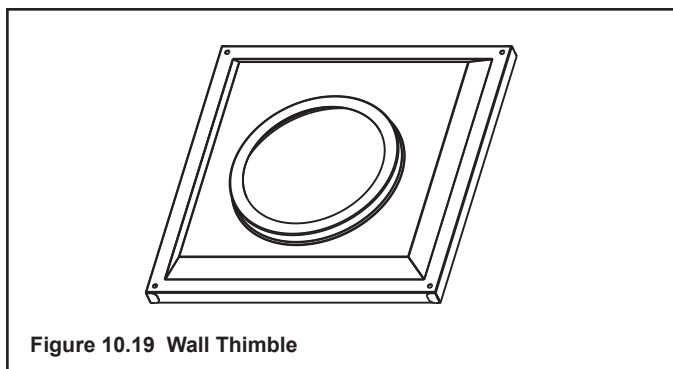
- Attach the vertical termination cap by sliding the inner collar of the cap into the inner flue of the pipe section while placing the outer collar of the cap over the outer flue of the pipe section.
- Secure the cap by driving three self-tapping screws (supplied) through the pilot holes in the outer collar of the cap into the outer flue of the pipe (see Figure 10.18).



J. Install Decorative Wall Components (SLP only)

A decorative wall thimble can be installed on wall through which the vent passes. The decorative wall thimble is used to cover the wall shield firestop.

- Slide the decorative wall thimble over the last section of horizontal pipe before connecting the termination cap to the pipe.
- Once the pipe section and the termination cap have been connected, slide the wall thimble up to the interior wall surface and attach with screws provided. See Figure 10.19.



K. Heat Shield Requirements for Horizontal Termination

WARNING! Risk of Fire! To prevent overheating and fire, heat shields must extend through the entire wall thickness.

- **DO NOT** remove the heat shields attached to the wall shield firestop and the horizontal termination cap (shown in Figure 10.20).
- Heat shields must overlap 1-1/2 in. (38 mm) minimum.

There are two sections of the heat shield. One section is factory-attached to the wall shield firestop. The other section is factory-attached to the cap. See Figure 10.20.

If the wall thickness does not allow the required 1-1/2 in. (38 mm) heat shield overlap when installed, an extended heat shield must be used.

- If the wall thickness is less than 4 in./102 mm (DVP) or 4-3/8 in./ 111 mm (SLP), the heat shields on the cap and wall shield firestop must be trimmed. A minimum 1-1/2 in. (38 mm) overlap **MUST** be maintained.
- Use an extended heat shield if the finished wall thickness is greater than 7-1/4 in. (184 mm).
- The extended heat shield may need to be cut to length maintaining sufficient length for a 1-1/2 in. (38 mm) overlap between heat shields.
- Attach the extended heat shield to either of the existing heat shields using the screws supplied with the extended heat shield. Refer to vent components diagrams in the back of this manual.
- Rest the small leg on the extended heat shield on top of the pipe section to properly space it from the pipe section.

Important Notice: Heat shields may not be field constructed.

L. Install Horizontal Termination Cap (DVP and SLP Pipe)

WARNING! Risk of Fire! The telescoping flue section of the termination cap **MUST** be used when connecting vent.

- 1-1/2 (38 mm) minimum overlap of flue telescoping section is required.

Failure to maintain overlap may cause overheating and fire.

- Vent termination must not be recessed in the wall. Siding may be brought to the edge of the cap base.
- Flash and seal as appropriate for siding material at outside edges of cap.
- When installing a horizontal termination cap, follow the cap location guidelines as prescribed by current **ANSI Z223.1** and **CAN/CGA-B149** installation codes and refer to Section 6 of this manual.

CAUTION! Risk of Burns! Local codes may require installation of a cap shield to prevent anything or anyone from touching the hot cap.

NOTICE: For certain exposures which require superior resistance to wind-driven rain penetration, a flashing kit and HRC caps are available. When penetrating a brick wall, a brick extension kit is available for framing the brick.

Note: When using termination caps with factory-supplied heat shield attached, no additional wall shield firestop is required on the exterior side of a combustible wall.

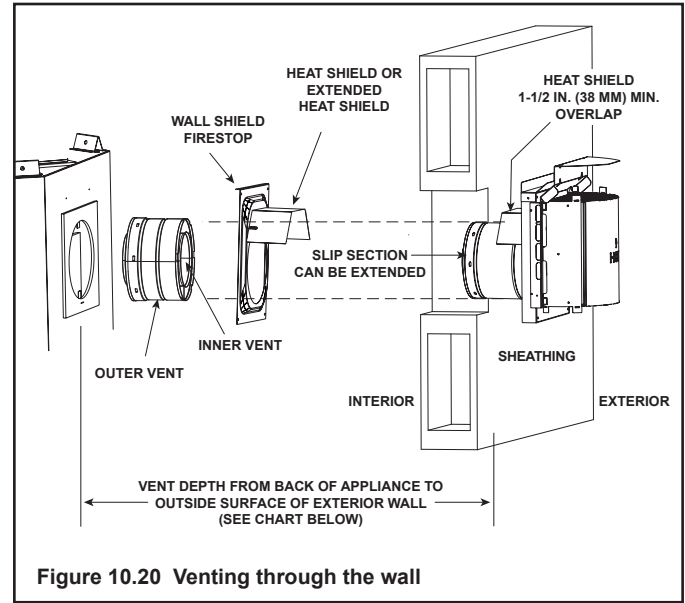


Figure 10.20 Venting through the wall

Cap Specification Chart
(depth without using additional pipe sections)

| | DVP-TRAPK1 | DVP-TRAP1 | DVP-TRAPK2 | DVP-TRAP2 |
|-------------|-------------------------|--------------------------|-------------------------|--------------------------|
| | Top Vent Depth | Rear Vent Depth | Top Vent Depth | Rear Vent Depth |
| 6000 Series | 2-3/4 in. to 4-5/8 in. | 3-1/8 in. to 5 in. | 5-1/8 in. to 9-1/8 in. | 5-1/2 in. to 9-1/2 in. |
| 8000 Series | DVP-HPC1 Top Vent Depth | DVP-HPC1 Rear Vent Depth | DVP-HPC2 Top Vent Depth | DVP-HPC2 Rear Vent Depth |
| | 2-3/4 in. to 4-7/8 in. | 3-1/8 in. to 5-1/4 in. | 4-7/8 in. to 9 in. | 5-1/4 in. to 9-3/8 in. |

DVP-TRAP1 can adjust 1-1/2 in. (3-1/8 to 4-5/8 in.)

DVP-TRAP2 can adjust 4 in. (5-3/8 to 9-3/8)

DVP-HPC1 can adjust 2-1/8 in. (4-1/4 to 6-3/8)

DVP-HPC2 can adjust 4-1/8 in. (6-3/8 to 10-1/2)

11 Gas Information

A. Fuel Conversion

- Make sure the appliance is compatible with available gas types.
- Conversions must be made by a qualified service technician using Hearth & Home Technologies specified and approved parts.

B. Gas Pressure


- Optimum appliance performance requires proper input pressures.
- Gas line sizing requirements will be determined in ANSI Z223.1 National Fuel Gas Code in the USA and CAN/CGA B149 in Canada.
- Pressure requirements are:

| Gas Pressure | Natural Gas | Propane |
|------------------------|---------------|---------------|
| Minimum inlet pressure | 5.0 in. w.c. | 11.0 in. w.c. |
| Maximum inlet pressure | 10.0 in. w.c. | 13.0 in. w.c. |
| Manifold pressure | 3.5 in. w.c. | 10.0 in. w.c. |

WARNING! Risk of Fire or Explosion! High pressure will damage valve. Low pressure may cause explosion.

- Verify inlet pressures. Verify minimum pressures when other household gas appliances are operating.
- Install regulator upstream of valve if line pressure is greater than 1/2 psig.

⚠ WARNING



Fire Risk.
Explosion Hazard.
High pressure will damage valve.

- Disconnect gas supply piping BEFORE pressure testing gas line at test pressures above 1/2 psig.
- Close the manual shutoff valve BEFORE pressure testing gas line at test pressures equal to or less than 1/2 psig.

Note: Have the gas supply line installed in accordance with local codes, if any. If not, follow ANSI 223.1. Installation should be done by a qualified installer approved and/or licensed as required by the locality. (In the Commonwealth of Massachusetts installation must be performed by a licensed plumber or gas fitter).

Note: A listed (and Commonwealth of Massachusetts approved) 1/2 in. (13 mm) T-handle manual shut-off valve and flexible gas connector are connected to the 1/2 in. (13 mm) control valve inlet.

- **If substituting for these components, please consult local codes for compliance.**

C. Gas Connection

- Refer to Reference Section 16 for location of gas line access in appliance.
- Gas line may be run through knockout(s) provided.
- The gap between supply piping and gas access hole may be caulked with caulk with a minimum of 300°F continuous exposure rating or stuffed with non-combustible, unfaced insulation to prevent cold air infiltration.
- Ensure that gas line does not come in contact with outer wrap of the appliance. Follow local codes.
- Pipe incoming gas line into valve compartment.
- Connect incoming gas line to the 1/2 in. (13 mm) connection on manual shutoff valve.

WARNING! Risk of Fire or Explosion! Support control when attaching pipe to prevent bending gas line.

- A small amount of air will be in the gas supply lines.

WARNING! Risk of Fire or Explosion! Gas build-up during line purge could ignite.

- Purge should be performed by qualified service technician.
- Ensure adequate ventilation.
- Ensure there are no ignition sources such as sparks or open flames.

Light the appliance. It will take a short time for air to purge from lines. When purging is complete the appliance will light and operate normally.

WARNING! Risk of Fire, Explosion or Asphyxiation! Check all fittings and connections with a non-corrosive commercially available leak-check solution. **DO NOT** use open flame. Fittings and connections could have loosened during shipping and handling.

WARNING! Risk of Fire! DO NOT change valve settings. This valve has been preset at the factory.

D. High Altitude Installations

NOTICE: If the heating value of the gas has been reduced, these rules do not apply. Check with your local gas utility or authorities having jurisdiction.

When installing above 2000 feet elevation:

- In the USA: Reduce burner orifice 4% for each 1000 feet above 2000 feet.
- In CANADA: Reduce burner orifice 10% for elevations between 2000 feet and 4500 feet. Above 4500 feet, consult local gas utility.

12 Electrical Information

A. Wiring Requirements

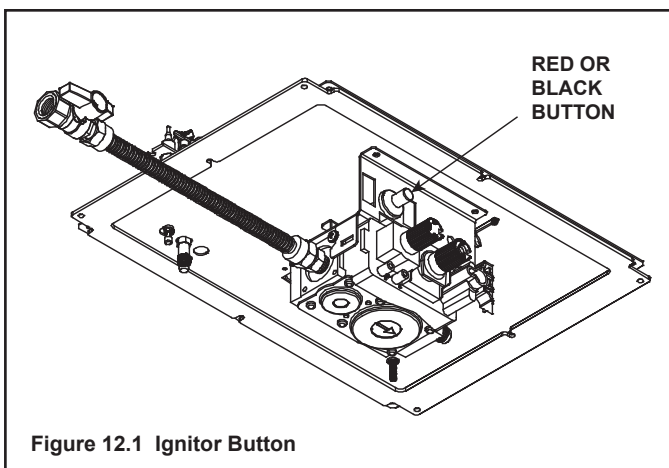
NOTICE: This appliance must be electrically wired and grounded in accordance with local codes or, in the absence of local codes, with **National Electric Code ANSI/NFPA 70-latest edition or the Canadian Electric Code CSA C22.1.**

- Wire the appliance junction box to 110-120 VAC. This is required for use of optional accessories (standing pilot ignition) or proper operation of the appliance (IntelliFire Plus™ ignition).
- A 110-120 VAC circuit for this product must be protected with ground-fault circuit-interrupter protection, in compliance with the applicable electrical codes, when it is installed in locations such as in bathrooms or near sinks.
- Low voltage and 110 VAC voltage cannot be shared within the same wall box.

WARNING! Risk of Shock or Explosion! DO NOT wire 110V to the valve or to the appliance wall switch. Incorrect wiring will damage controls.

Determine if the appliance uses an IntelliFire Plus™ ignition system or standing pilot ignition system:

- Open the control access panel or remove the decorative front.
- A red or black ignitor button (as shown in Figure 12.1) indicates this appliance is standing pilot ignition.



B. IntelliFire Plus™ Ignition System Wiring

- Wire the appliance junction box to 110 VAC for proper operation of the appliance.

WARNING! Risk of Shock or Explosion! DO NOT wire IPI controlled appliance junction box to a switched circuit. Incorrect wiring will override IPI safety lockout.

- Refer to Figure 12.2, IPI Wiring Diagram.
- This appliance is equipped with an IntelliFire Plus™ control valve which operates on a 6 volt/1.5 AMP system.
- Plug the 6 volt transformer plug into the appliance junction box to supply power to the unit OR install 4 AA cell batteries (not included) into the battery pack before use.

C. Standing Pilot Ignition System Wiring

- The standing pilot ignition system wiring does not require a 110 VAC supply to operate. See Figure 12.3
- A 110 VAC junction box MUST be installed for use with a fan or remote control. See Figure 12.4 for junction box wiring. Keep wire lengths short as possible.

NOTICE: DO NOT wire 110 VAC to the millivolt valve! This will damage the valve.

- If using a thermostat use one compatible with a millivolt gas valve system:
 - Install the thermostat in the location as indicated in the thermostat instructions to ensure proper operation of appliance.
 - Use low resistance thermostat wire for wiring from ignition system to the wall switch and thermostat.
 - Keep wire lengths short as possible.

D. Optional Accessories Requirements

- This appliance may be used with a wall switch, wall mounted thermostat and/or a remote control.

Wiring for optional Hearth & Home Technologies approved accessories should be done now to avoid reconstruction. Follow instructions that come with those accessories.

- Hearth & Home Technologies recommends that IntelliFire Plus™ wireless controls be used for their features and functionality with the IntelliFire Plus™ ignition system.
- A standard ON/OFF switch is compatible.

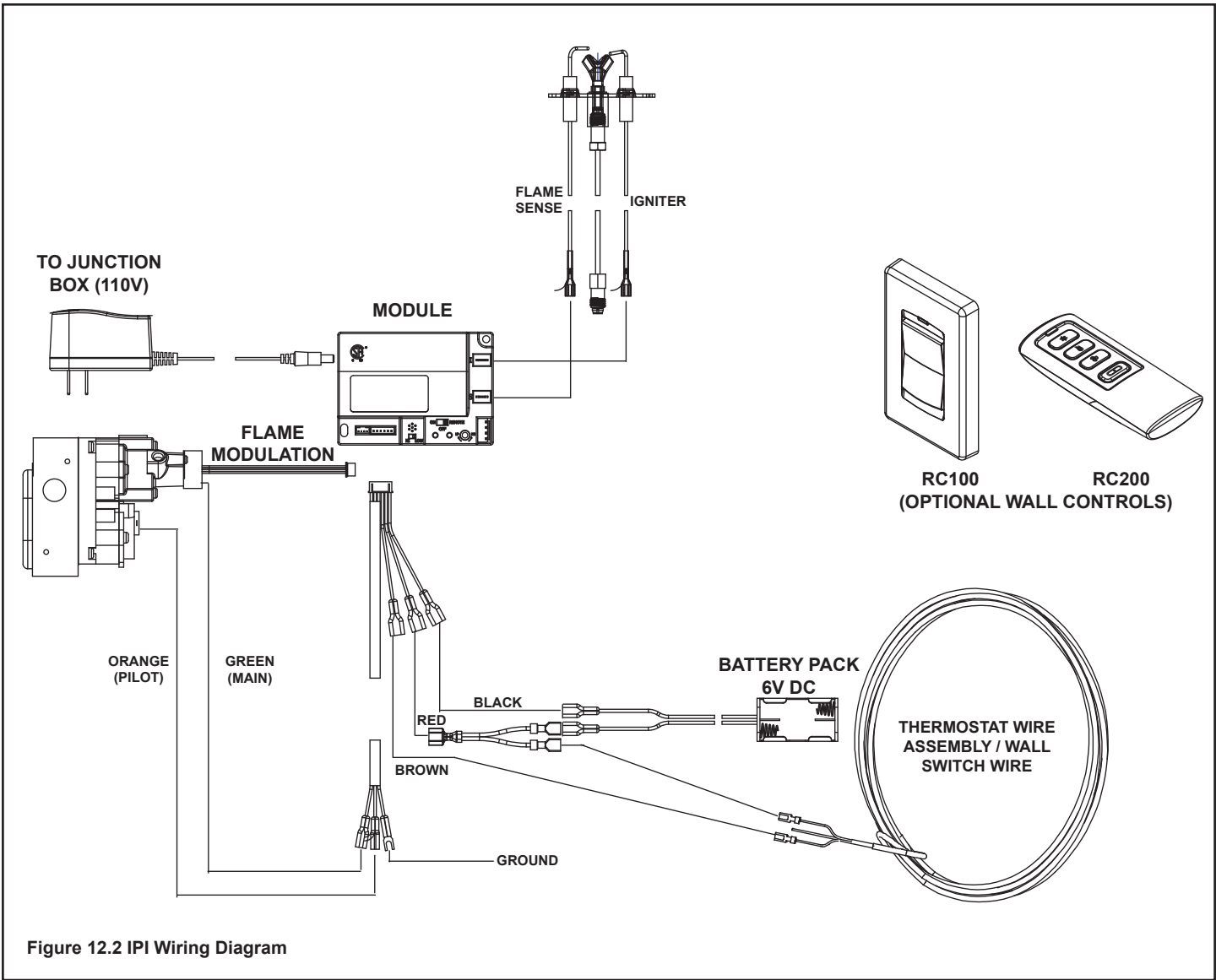


Figure 12.2 IPI Wiring Diagram

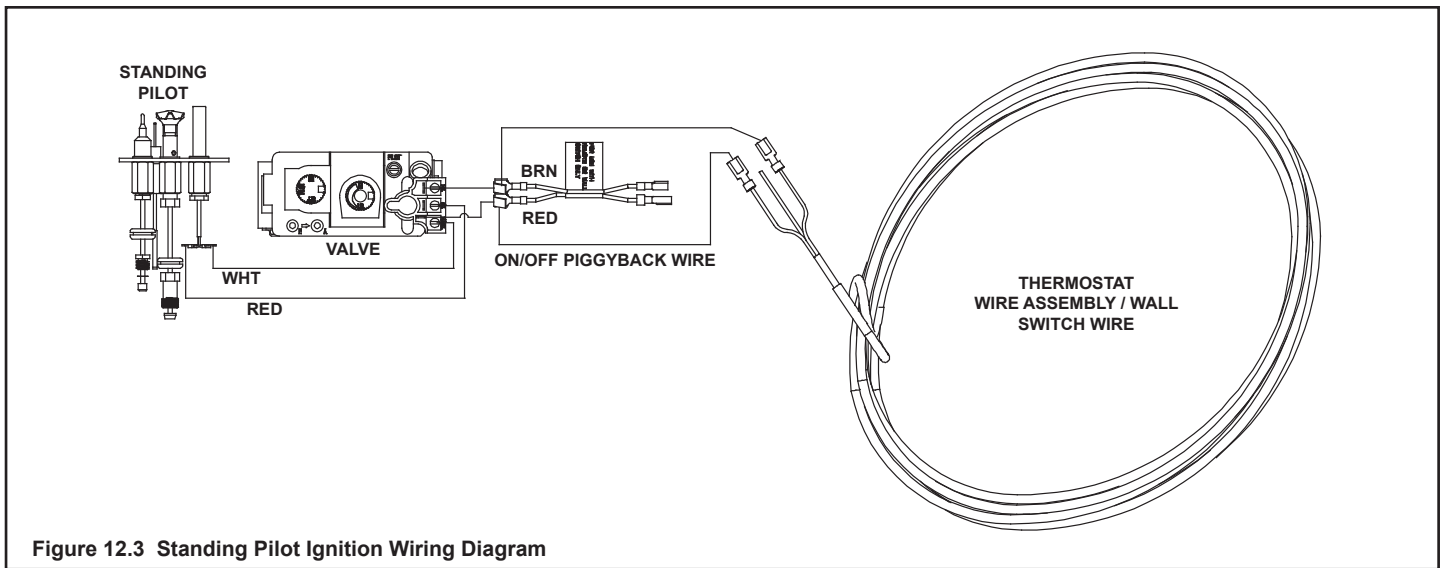


Figure 12.3 Standing Pilot Ignition Wiring Diagram

E. Electrical Service and Repair

WARNING! Risk of Shock! Label all wires prior to disconnection when servicing controls. Wiring errors can cause improper and dangerous operation. Verify proper operation after servicing.

WARNING! Risk of Shock! Replace damaged wire with type 105° C rated wire. Wire must have high temperature insulation.

F. Junction Box Installation

If the box is being wired from the **INSIDE** of the appliance:

- Remove the screw attaching the junction box/receptacle to the outer shell, rotate the junction box inward to disengage it from the outer shell (see Figure 12.4).
- Pull the electrical wires from outside the appliance through the opening into the valve compartment and secure wires with a Romex connector. See Figure 12.4.
- Make all necessary wire connections to the junction box/receptacle and reattach the junction box/receptacle to the outer shell.

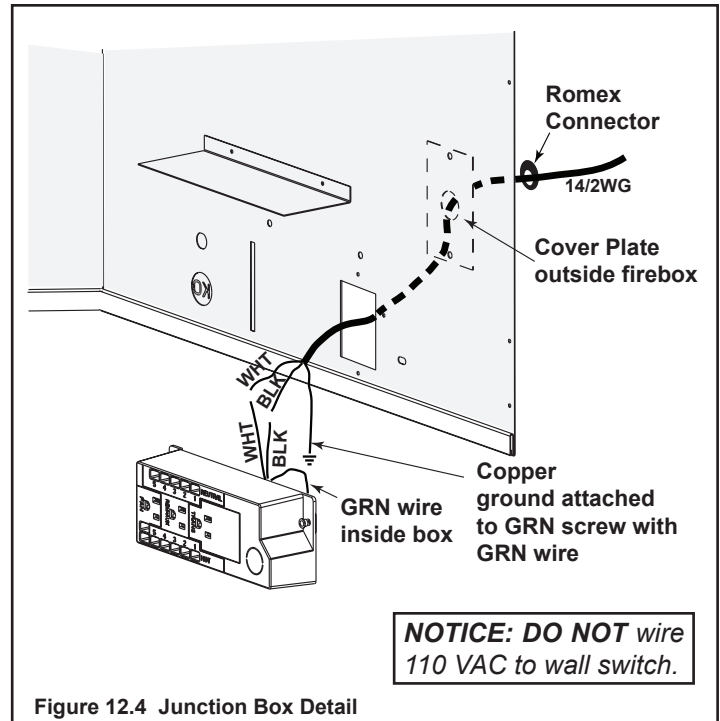


Figure 12.4 Junction Box Detail

G. Wall Switch Installation for Fan (Optional)

If the box is being wired to a wall mounted switch for use with a fan (See Figure 12.5):

- The power supply for the appliance must be brought into a switch box.
- The power can then be supplied from the switch box to the appliance using a minimum of 14-3 with ground wire.
- At the switch box connect the black (hot) wire and red (switch leg) wire to the wall switch as shown.
- At the appliance connect the black (hot), white (neutral) and green (ground) wires to the junction box as shown.
- Add a 1/4 in. insulated female connector to the red (switch leg) wire, route it through the knockout in the face of the junction box, and connect to the top fan switch connector (1/4 in. male) as shown.

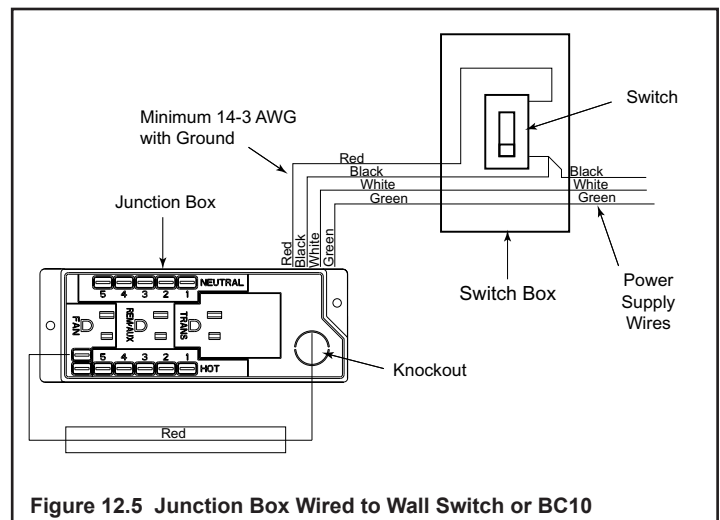


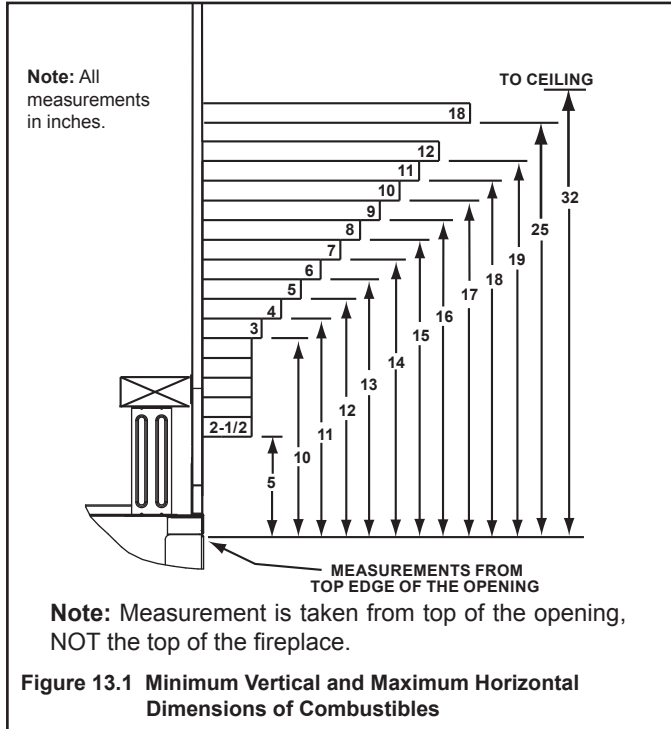
Figure 12.5 Junction Box Wired to Wall Switch or BC10

13 Finishing

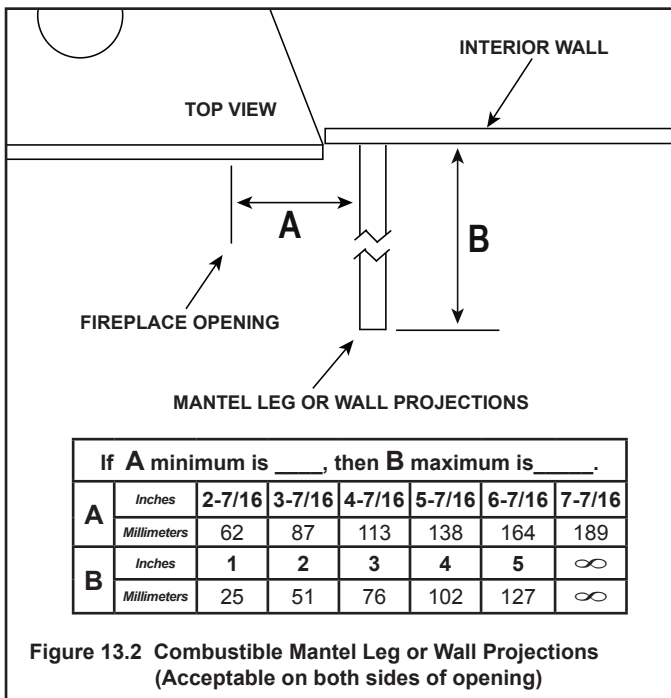
A. Mantel and Wall Projections

WARNING! Risk of Fire! Comply with all minimum clearances as specified. Framing closer than the minimums listed must be constructed entirely of noncombustible materials (i.e., steel studs, concrete board, etc.)

Combustible Mantels



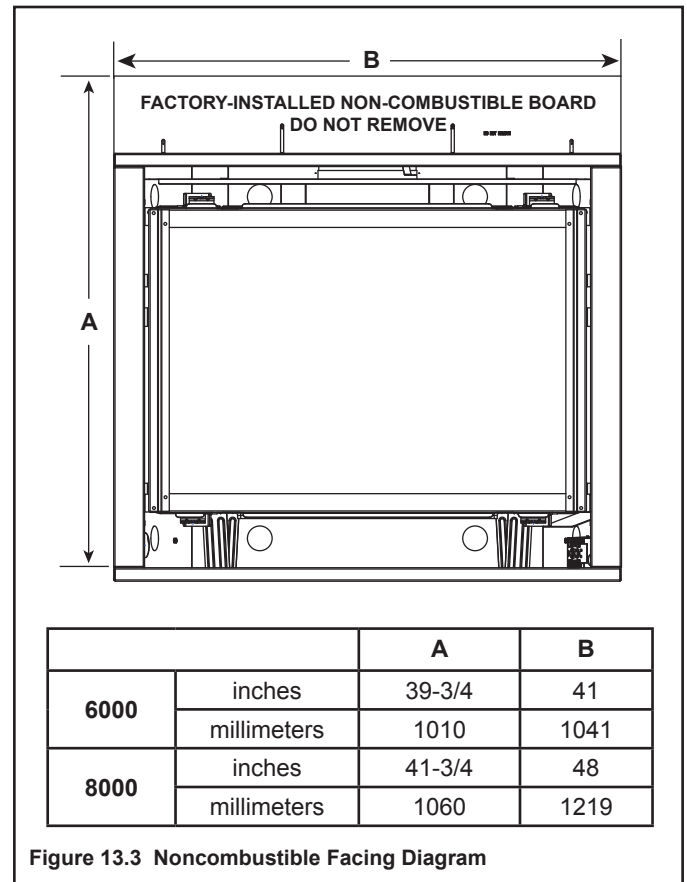
Combustible Mantel Legs or Wall Projections



B. Facing Material

- Metal front faces may be covered with non-combustible materials only.
- Facing and/or finishing materials must not interfere with air flow through louvers, operation of louvers or doors, or access for service.
- Facing and/or finishing materials must never overhang into the glass opening.
- Observe all clearances when applying combustible materials.
- Seal joints between the finished wall and appliance top and sides using a 300°F minimum sealant. Refer to Figure 13.3.

WARNING! Risk of Fire! DO NOT apply combustible materials beyond the minimum clearances. Comply with all minimum clearances to combustibles as specified in this manual. Overlapping materials could ignite and will interfere with proper operation of doors and louvers.



C. Doors

Only doors certified for use with this appliance model may be used. Contact your dealer for a list of doors that may be used. Once you have determined what kind of door and finishing material is going to be used on the fireplace, you may use the table below which shows the door models and the finishing material thickness allowed.

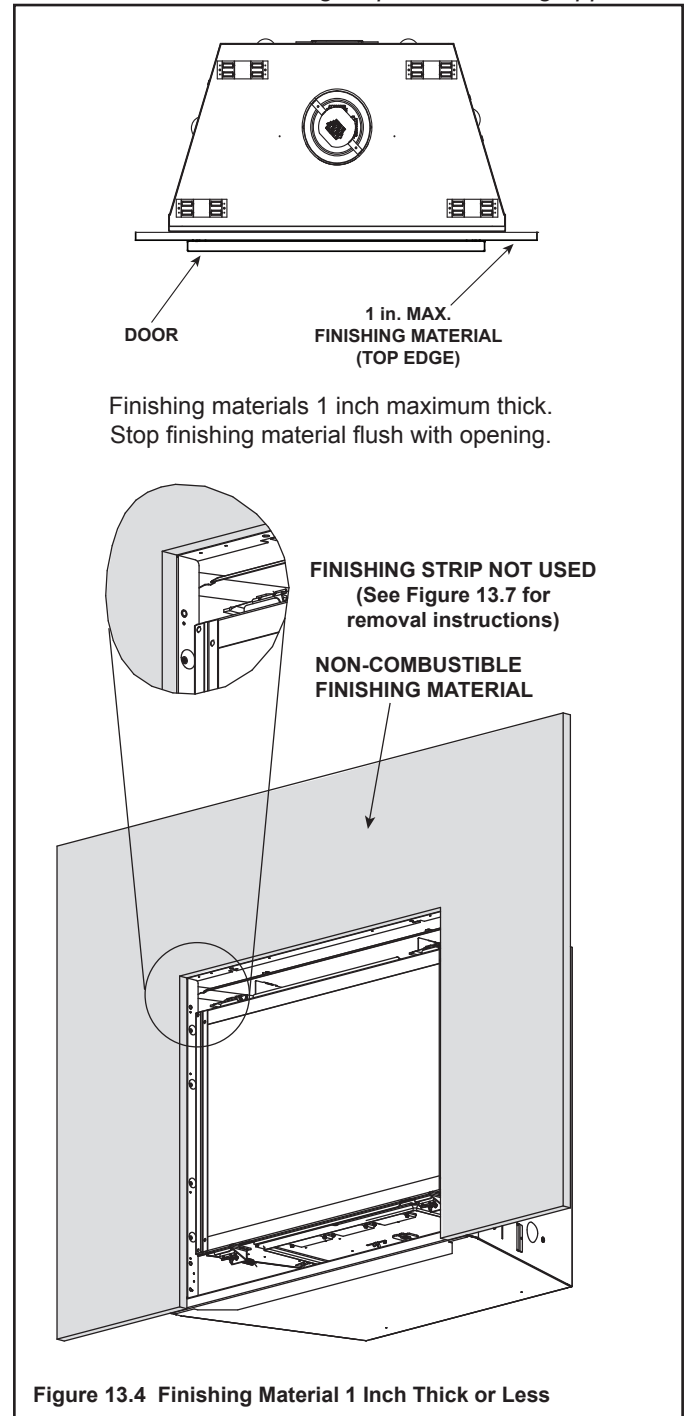
| DOOR | FIT | FINISH MATERIAL THICKNESS | SEE FIGURE |
|-----------|---------|---------------------------|------------|
| Folio | Inside | Any | 13.6 |
| Arcadia | Overlap | 1 inch or less | 13.4 |
| | Inside | Greater than 1 inch | 13.5 |
| Halston | Overlap | 1 inch or less | 13.4 |
| | Inside | Greater than 1 inch | 13.5 |
| Chateau | Overlap | 1 inch or less | 13.4 |
| | Inside | Greater than 1 inch | 13.5 |
| MT Hammer | Overlap | 1 inch or less | 13.4 |
| | Inside | Greater than 1 inch | 13.5 |
| Galleria | Overlap | 1 inch or less | 13.4 |
| | Inside | Greater than 1 inch | 13.5 |
| CF | Inside | Any | 13.6 |

Note: Finishing strips may be used to aid in positioning of non-combustible facing materials for some of the facing and door combinations specified in the table above. They must be removed following finishing work. See figure 13.7.

Finishing Material: 1 Inch Thick or Less

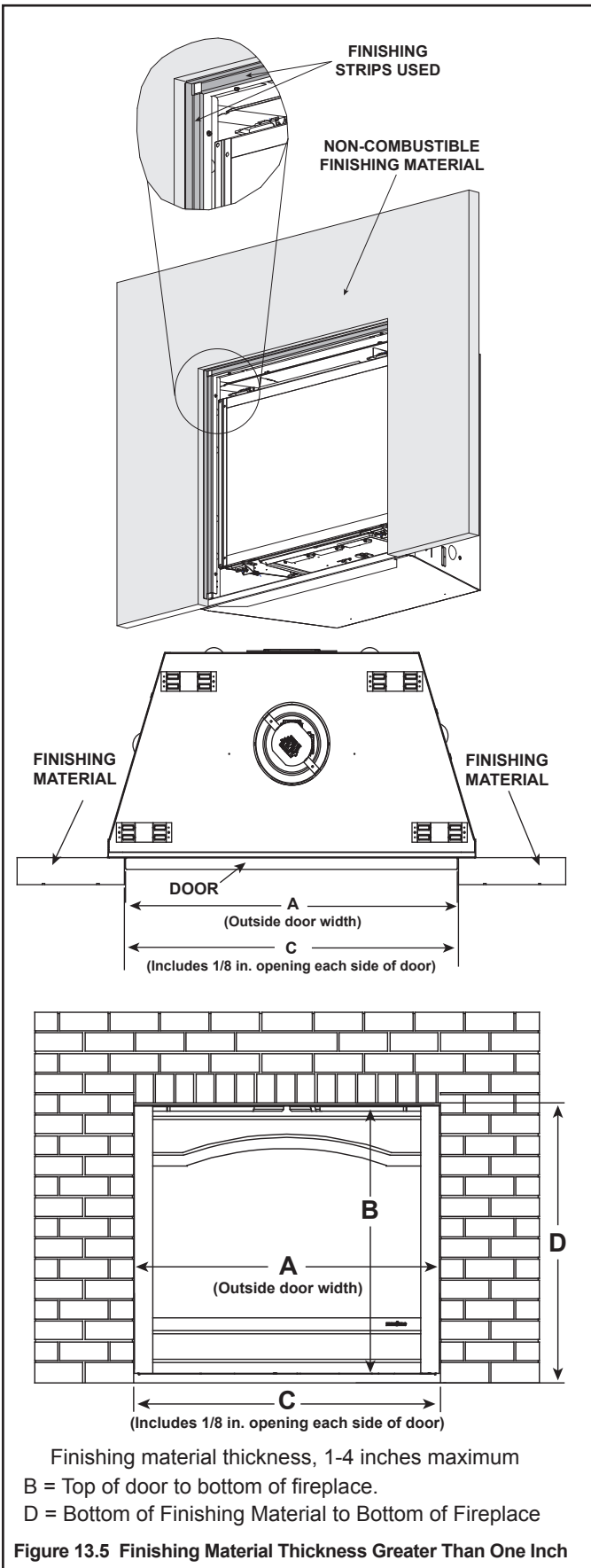
Remove Finishing Strips. See Figure 13.7.

NOTICE: Remove finishing strips before firing appliance.



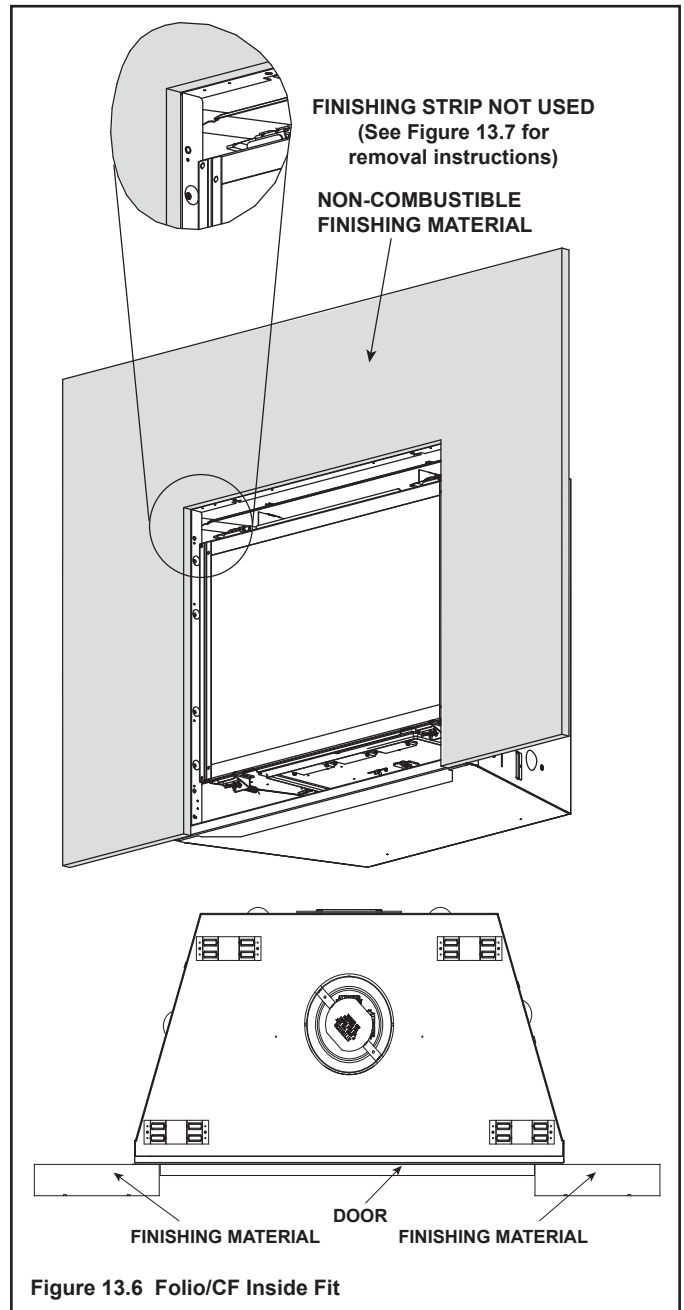
**Finishing Material Thickness:
1-4 inches maximum**

NOTICE: Remove finishing strips before firing appliance.



**Finishing Material Thickness:
0-4 inches maximum**

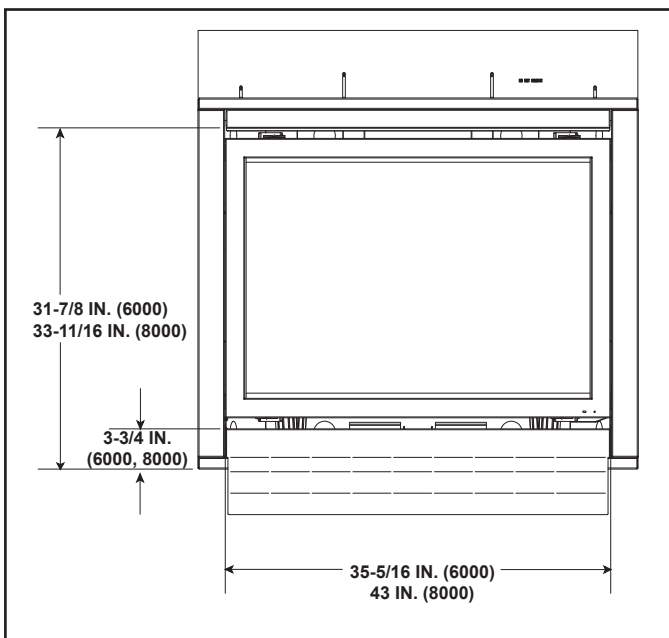
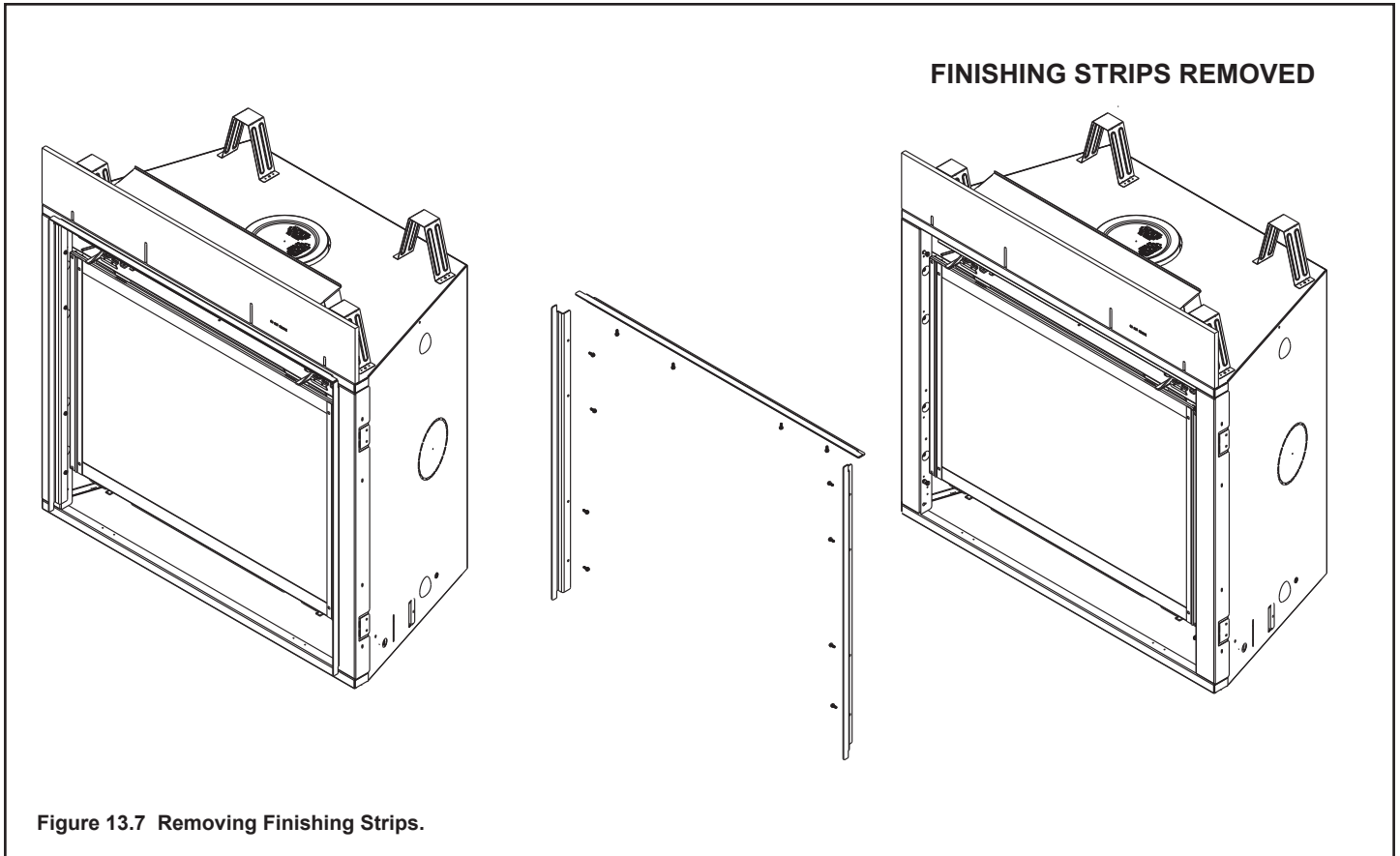
NOTICE: Remove finishing strips before firing appliance.



| | 8000 Models | | 6000 Models | |
|----------|-------------|-------------|-------------|-------------|
| | Inches | Millimeters | Inches | Millimeters |
| A | 44-1/16 | 1119 | 37-1/16 | 941 |
| B | 35-15/16 | 913 | 34-1/16 | 865 |
| C | 44-5/16 | 1126 | 37-5/16 | 948 |
| D | 36-5/16 | 922 | 34-7/16 | 882 |

Removal of Finishing Strips

NOTICE: Remove finishing strips before firing appliance.
Remove glass frame assembly to access finishing strip screws.



D. Elevated Hearth Systems

Use the table below to identify the hearth system that will be used. The table will also help identify effects on the various dimensions. Some hearth systems will elevate the appliance off the floor at a given dimension. For example, if appliance will be used with a Kenwood Cabinet with Base, the appliance will be elevated 9-1/4 in. The 9-1/4 in. elevation will also have to be added to the following: Wall penetration referenced in Figure 8.2 (Wall penetration) and Rough Opening Height (header height) referenced in Figure 5.2. Note: Finished floor thickness should also be considered when determining installation dimensions.

| MODEL | DESCRIPTION | PART # | ELEVATED APPLIANCE DIMENSION See Note 1 | MARBLE LEG CUT LENGTH See Note 2 |
|-------------|--------------------------------|------------------------|--|-------------------------------------|
| 6000 Series | KENWOOD CABINET | KDC48DBP | 0 | 33 in. |
| | KENWOOD CABINET W/ BASE | KDC48DBP W/ HTKDC48DBP | 9-1/4 in. | 33 in. |
| | KENWOOD CORNER CABINET | KDA48DBP | 0 | 33 in. |
| | KENWOOD CORNER CABINET W/ BASE | KDA48DBP W/ HTKDA48DBP | 9-1/4 in. | 33 in. |
| | KENWOOD MANTEL | AFKDMPB | 0 (See Note 3) | 33 in. |
| | KENWOOD MANTEL W/ BASE | AFKDMPB W/ HTKDMPB | 9-1/4 in. | 33 in. |
| | LUNA SURROUND | LUNA-36-GY | 1-1/16 in. | N/A |
| 8000 Series | KENWOOD MANTEL | AFKDMPC | 0 (See Note 3) | 32-7/8 in. |
| | KENWOOD MANTEL W/ BASE | AFKDMPC W/ HTKDMPC | 9-1/4 in. | 32-7/8 in. |

Note 1. Add dimensions to Wall Penetration (Figure 8.2) and Rough Opening Height (Figure 5.2).

Note 2. Verify Marble Cut Lengths on site prior to cutting.

Note 3. Dimensions assume use of a 3/4 in. Hearth Pad.

14 Appliance Setup

A. Remove Fixed Glass Assembly

See Section 14.H.

B. Remove the Shipping Materials

Remove shipping materials from inside or underneath the firebox.

C. Clean the Appliance

Clean/vacuum any sawdust that may have accumulated inside the firebox or underneath in the control cavity.

D. Accessories

Install approved accessories per instructions included with accessories. Contact your dealer for a list of approved accessories.

WARNING! Risk of Fire and Electric Shock! Use ONLY Hearth & Home Technologies-approved optional accessories with this appliance. Using non-listed accessories could result in a safety hazard and will void the warranty.

→ E. Burner Top Installation

1. Bend the two tabs upward as shown in Figure 14.1.
2. To install the fiber burner, mate the locating holes with the guide sleeves. Install fiber burner top so that it makes full contact with the underlying burner assembly.
3. Ensure that the ports in the steel burner are visible through the holes in the fiber burner top.

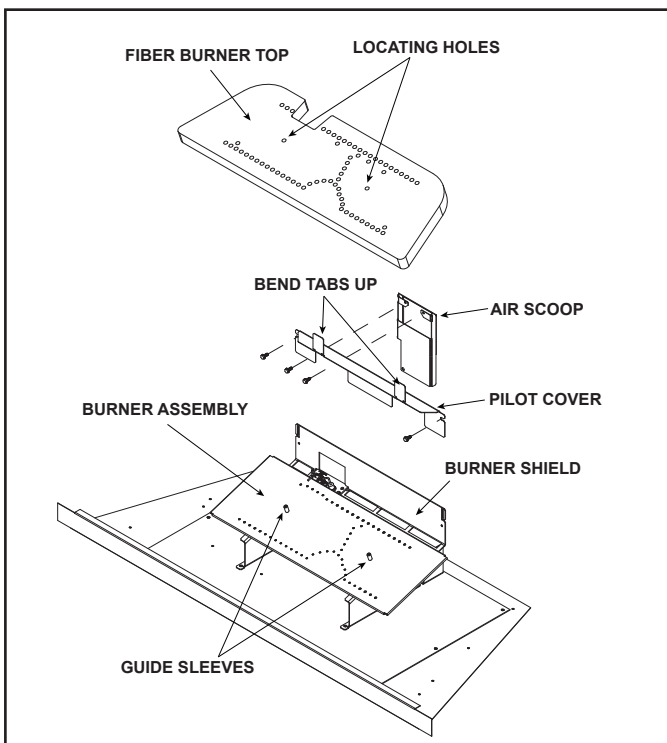


Figure 14.1

F. Ember Placement

WARNING! Risk of Explosion! Follow ember placement instructions in manual. DO NOT completely block burner ports with ember material. Replace ember material annually. Improperly placed embers interfere with proper burner operation.

Ember material is shipped with this gas appliance. To place the ember material:

- Embers CANNOT completely block burner ports. Care should be taken not to block the lighting trail of ports.
- Embers may only be placed in areas as shown in Figure 14.2.
- **LP Only:** Using dime-size pieces of Glowing Embers®, overlap the burner ports (see Figure 14.3). The impingement created by the embers will help blend the fire.
- Save the remaining ember materials for use during appliance servicing. The embers provided should be enough for 3 to 5 applications.

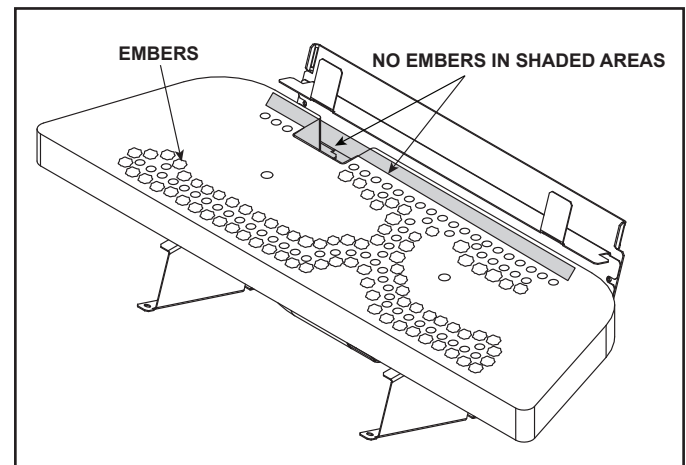


Figure 14.2 Placement of Embers

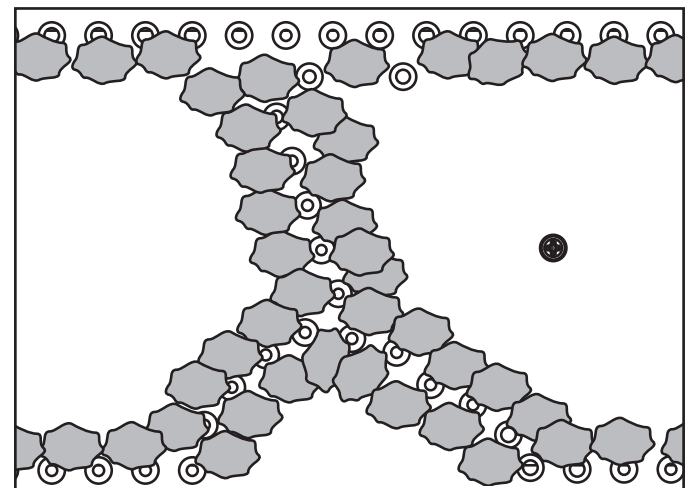


Figure 14.3 Embers Overlapping Burner Port Holes (LP only).

Models: 6000C-IPILP, 6000CBV-IP1
6000C, 6000C-IP1

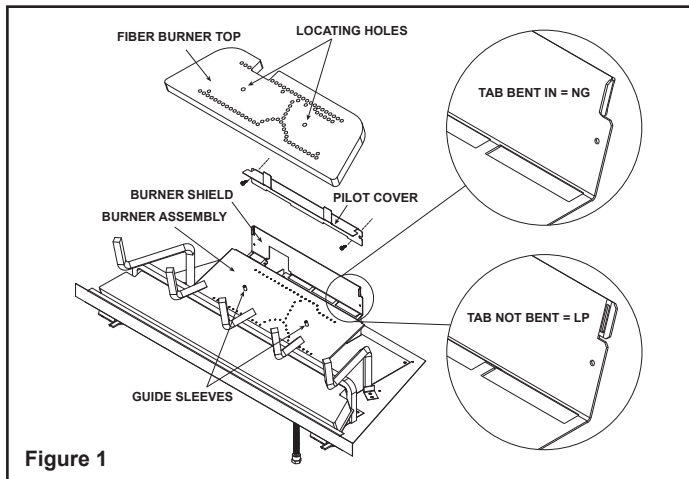


Figure 1

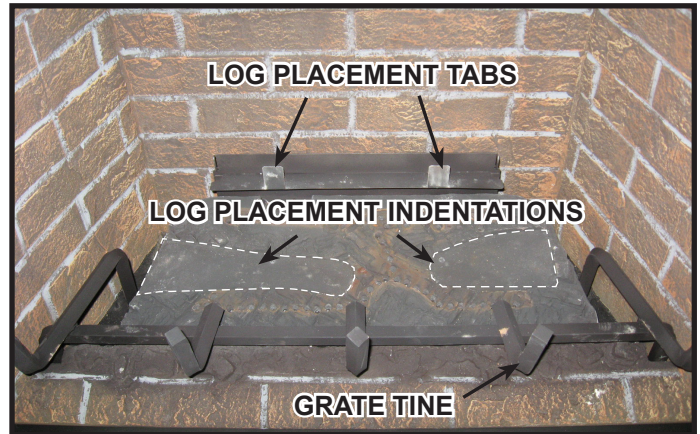


Figure 2. Log Placement Tabs

CAUTION: Logs are fragile, handle with care. **Log #1 (SRV2164-701):** Locate log placement tabs on the pilot cover. Bend tabs upward as shown in Figure 2. Locate the log placements slots on the bottom of Log # 1 (see Figure 3). Mate the slots located on the bottom of Log #1 with the log placement tabs on the pilot cover. Log # 1 is properly installed when it sits squarely and completely on pilot cover with tabs engaged (see Figure 4).

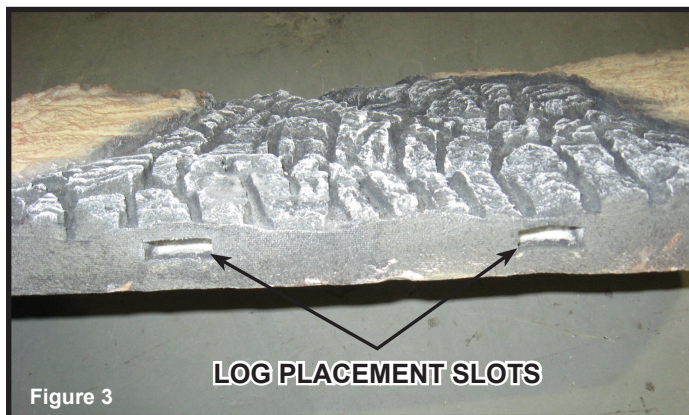


Figure 3

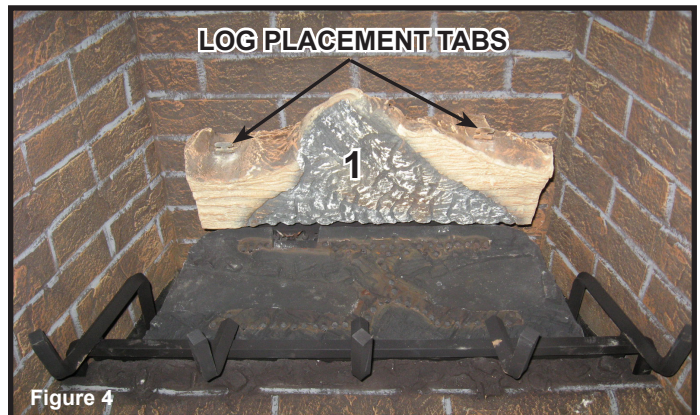


Figure 4

Figure 4 shows the log placement tabs located on the top of Log # 1. The tabs will be mated with the slots located on the bottom of Log #2 and Log #3 (see Figure 5). Log #2 and Log #3 also have grooves that allow the logs to be seated properly on the grate (see Figure 5). Hold Log #1 upright while placing Log #2.

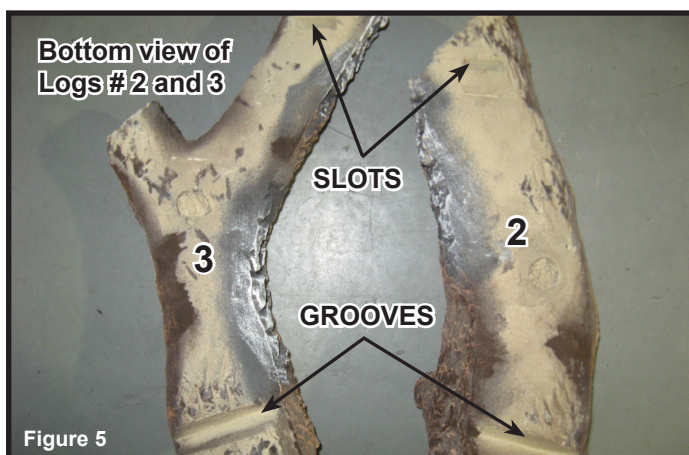


Figure 5

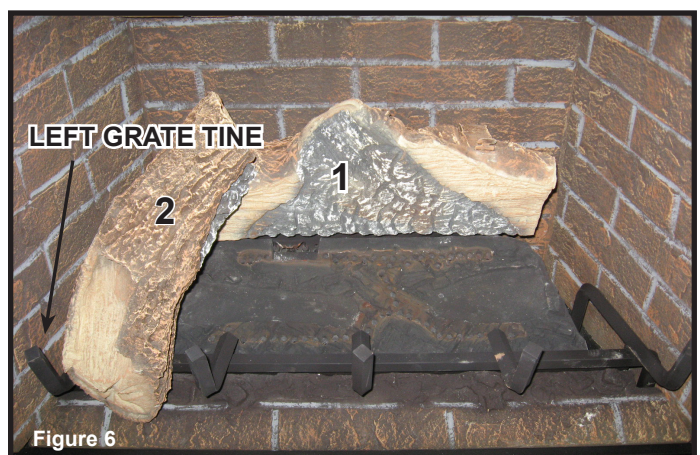
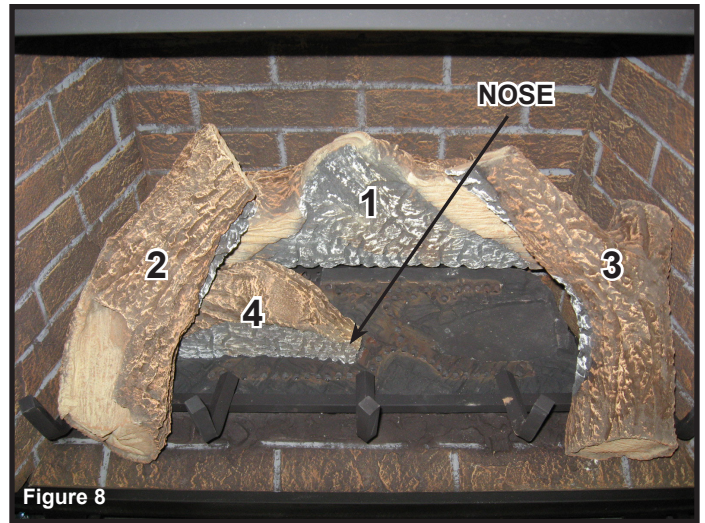
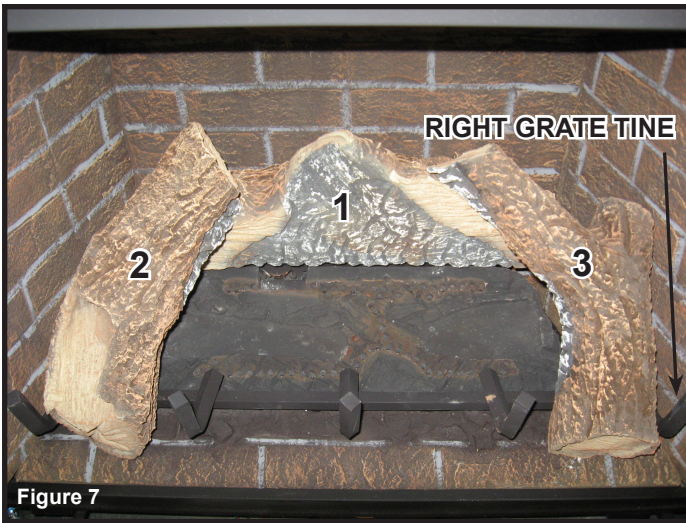


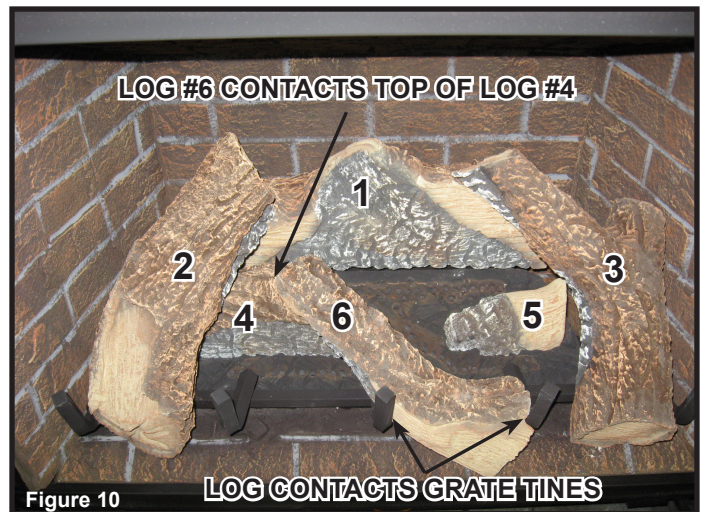
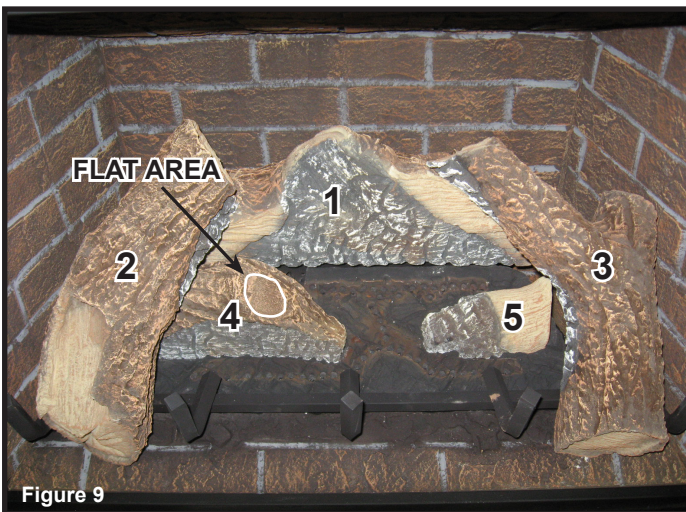
Figure 6

Log #2 (SRV2164-702): Mate the slot located on the bottom of Log #2 with the left tab on top of Log #1. After slot and tab have been fitted together, mate the groove located on the bottom of Log #2 with the horizontal grate bar and slide Log # 2 toward the left until it rests against the far left grate tine.



Log #3 (SRV2164-703): Mate the slot located on the bottom of Log #3 with the right log placement tab on top of Log #1. After slot and tab have been fitted together, mate the groove located on the bottom of Log #3 with the horizontal grate bar and slide Log # 3 toward the right until it rests against the far right grate tine (see Figure 7).

Log #4 (SRV2164-704): Place Log #4 in the left log indentation on the burner top (see Figure 2). Slide Log # 4 from right to left under Log #2 to fit completely and securely into the indentation (see Figure 8). Nose of log #4 should be pulled to fit securely against right hand side of log indentation.



Log #5 (SRV2164-705): Place Log #5 in the right log indentation on the burner top (see Figure 2). Ensure the log fits completely and securely in the recessed indentation (see Figure 9). Log #5 should be pulled to the left hand side of log indentation.

Log #6 (SRV2164-706): Mate the groove located on the lower end of Log #6 with the fourth grate tine (from left to right) as shown in Figure 10. Set the other end of Log #6 on the flat area located on top of Log #4 (see Figure 9). Log #6 will also rest against center grate tine. When properly installed, Log #6 will rest securely on all 3 contact points, not allowing movement or shifting.

2164-935C

G. Install the Log Assembly (continued)

Models: 8000C, 8000C-LP, 8000C-IPI, 8000C-IPILP, 8000CBV-IPI

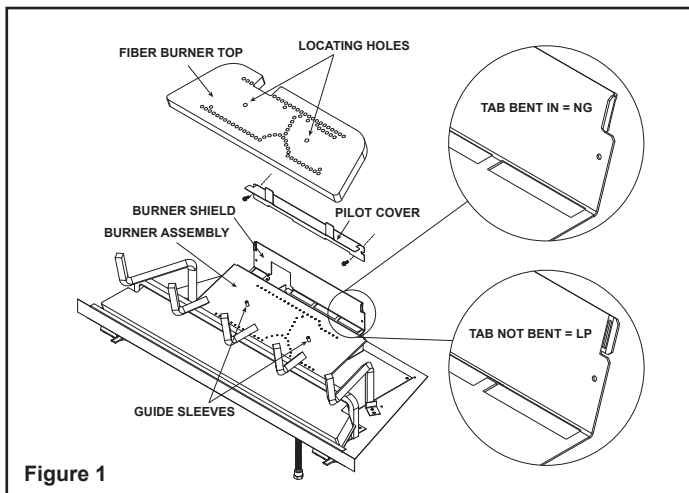


Figure 1



Figure 2. Log Placement Tabs

CAUTION: Logs are fragile, handle with care. **Log #1 (SRV2168-701):** Locate log placement tabs on the pilot cover. Bend tabs upward as shown in Figure 2. Locate the log placements slots on the bottom of Log #1 (see Figure 3). Mate the slots located on the bottom of Log #1 with the log placement tabs on the pilot cover. Log #1 is properly installed when it sits squarely and completely on pilot cover with tabs engaged. See Figure 4.



Figure 3

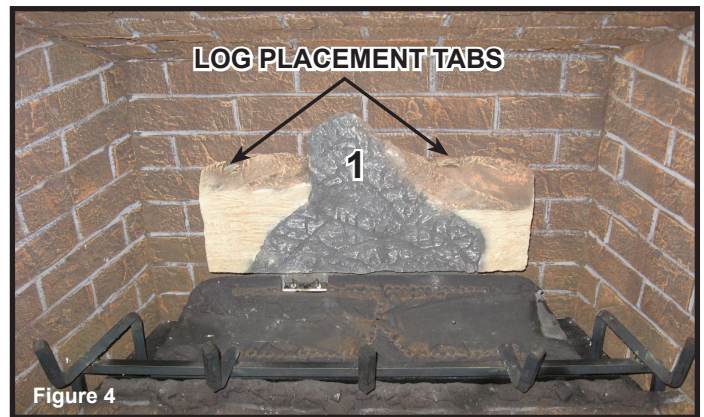


Figure 4

Figure 4 shows the log placement tabs located on the top of Log #1. The tabs will be mated with the slots located on the bottom of Log #2 and Log #3 (see Figure 5). Log #2 and Log #3 also have grooves that allow the logs to be seated properly on the grate (see Figure 5). Hold Log #1 upright while placing Log #2.

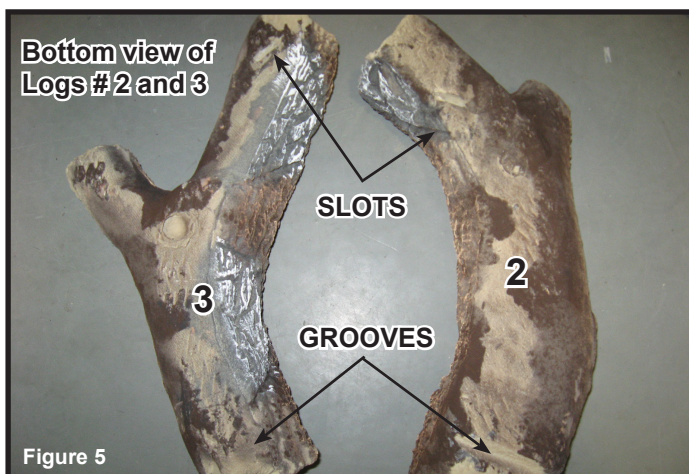


Figure 5



Figure 6

Log #2 (SRV2168-702): Mate the slot located on the bottom of Log #2 with the left log placement tab on top of Log #1. After slot and tab have been fitted together, mate the groove located on the bottom of Log #2 with the horizontal grate bar and slide Log #2 toward the left until it rests against the far left grate tine.

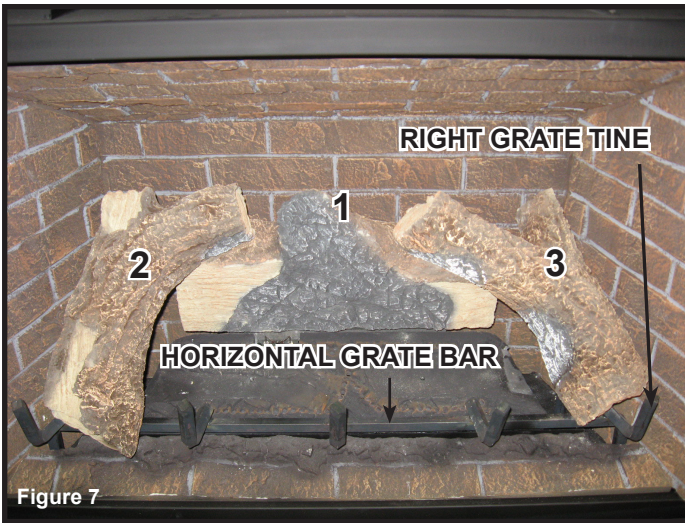


Figure 7

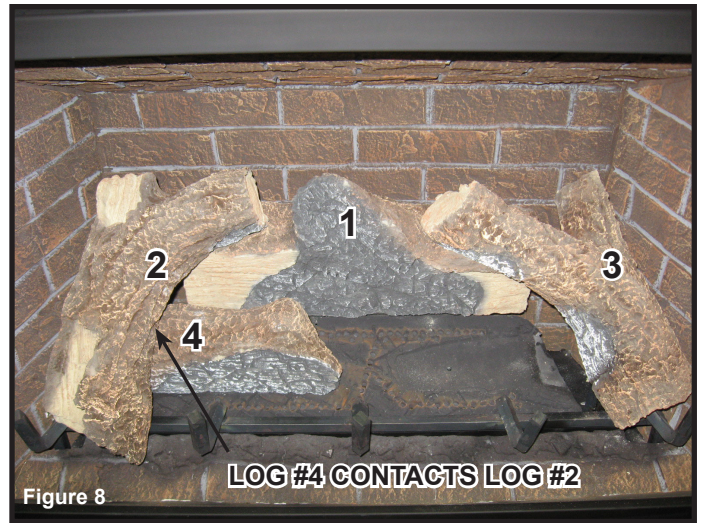


Figure 8

Log #3 (SRV2168-703): Mate the slot located on the bottom of Log #3 with the right log placement tab on top of Log #1. After slot and tab have been fitted together, mate the groove located on the bottom of Log #3 with the horizontal grate bar and far right grate tine. Log #3 will sit down on top of both the grate tine and the horizontal grate bar (see Figure 7).

Log #4 (SRV2168-704): Place Log #4 in the left log indentation on the burner top (see Figure 2). Slide Log #4 from right to left under Log #2 to fit completely and securely into the indentation (see Figure 8). The back or Log #4 should rest against the far left grate tine as well as contact Log #2.

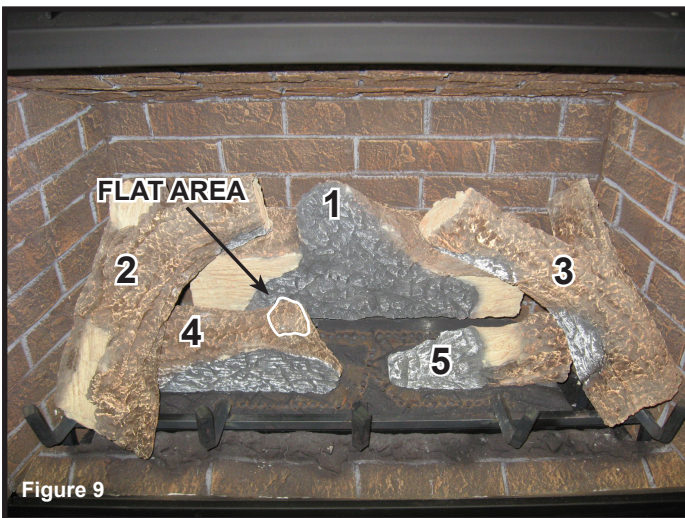


Figure 9



Figure 10

Log #5 (SRV2168-705): Place Log #5 in the right log indentation on the burner top (see Figure 2). Ensure the log fits completely and securely in the indentation (see Figure 9). Log #5 should be pulled to the left hand side of log indentation.

Log #6 (SRV2168-706): Mate the groove located on the lower end of Log #6 with the fourth tine (from left to right) as shown in Figure 10. Set the other end of Log #6 on the flat area located on top of Log #4 (see Figure 9). Log #6 will also rest against center grate tine. When properly installed, Log #6 will rest securely on all 3 contact points, not allowing movement or shifting.

2168-935C

H. Fixed Glass Assembly

WARNING! Risk of Asphyxiation! Handle fixed glass assembly with care. Inspect the gasket to ensure it is undamaged and inspect the glass for cracks, chips or scratches.

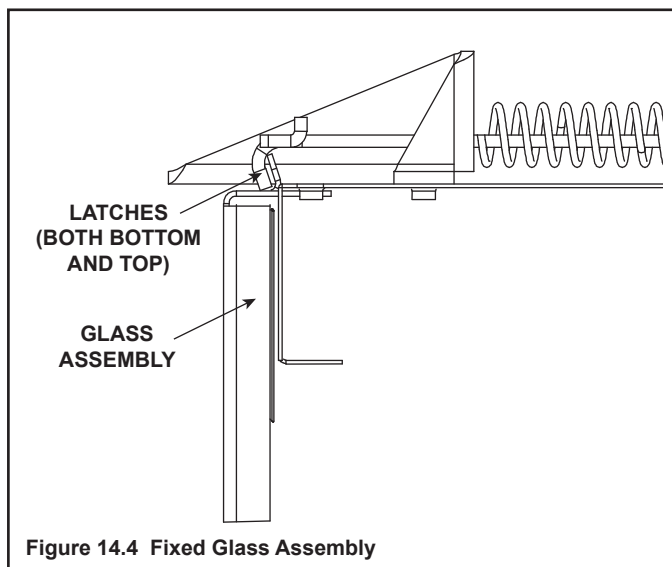
- **DO NOT** strike, slam or scratch glass.
- **DO NOT** operate fireplace with glass removed, cracked, broken or scratched.
- Replace as a complete assembly.

Removing Fixed Glass Assembly

- Pull the four glass assembly latches out of the groove on the glass frame. Remove glass door from the appliance (see Figure 14.4).

Replacing Fixed Glass Assembly

- Replace the glass door on the appliance. Pull out and latch the four glass assembly latches into the groove on the glass frame.

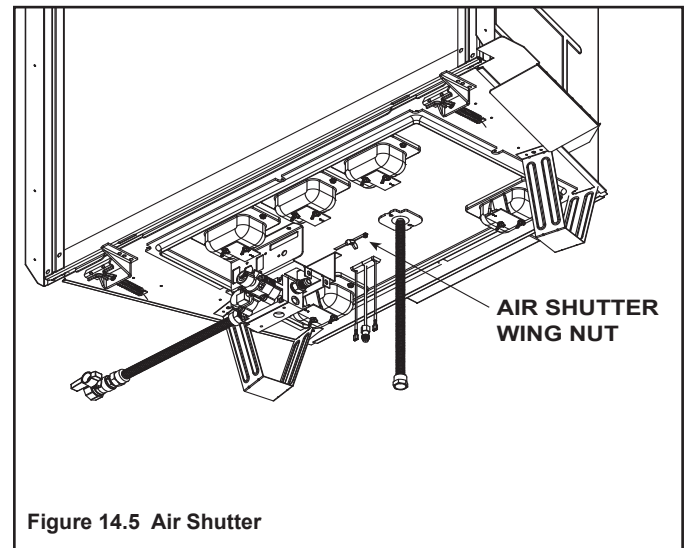


J. Air Shutter Setting

Air shutter settings should be adjusted by a qualified service technician at the time of installation. The air shutter is set at the factory for minimum vertical vent run. Adjust air shutter for longer vertical runs. See Figure 14.5.

- Loosen the wing nut.
- Move the air handle to the left to open the air shutter.
- Move the air handle to the right to close the air shutter.
- Tighten the wing nut.

NOTICE: If sooting occurs, provide more air by opening the air shutter.



Air Shutter Settings

| | NG | LP |
|------|---------|---------|
| 6000 | 1/4 in. | 3/4 in. |
| 8000 | 1/4 in. | 3/4 in. |

I. Install Trim and/or Surround

- Install optional trim kits and/or surrounds using the instructions included with the accessory.
- Use non-combustible materials to cover the gap between the sheet rock and the appliance (when applicable to the model).

15 Troubleshooting

With proper installation, operation, and maintenance your gas appliance will provide years of trouble-free service. If you do experience a problem, this troubleshooting guide will assist a qualified service technician in the diagnosis of a problem and the corrective action to be taken. This troubleshooting guide can only be used by a qualified service technician. Contact your dealer to arrange a service call by a qualified service technician.

A. Standing Pilot Ignition System

| Symptom | Possible Causes | Corrective Action |
|---|--|---|
| 1. After repeated triggering of the red or black piezo ignitor button, the spark ignitor will not light the pilot. | A. No gas or low gas pressure. | Check the remote shut-off valves from the appliance. Usually, there is a valve near the gas main. There can be more than one valve between the appliance and the main. |
| | B. No lp in tank. | Check the LP (propane) tank. You may be out of fuel. |
| | C. Ignitor. | Check the spark at the electrode and pilot. If no spark and electrode wire is properly connected, replace the ignitor. Verify that there is no short in electrode wire. |
| | D. Pilot or misaligned electrode (spark at electrode). | Using match, light the pilot. If the pilot lights, turn off the pilot and trigger the piezo ignitor button again. If the pilot lights, an improper gas/air mixture caused the bad lighting and a longer purge period is recommended. If the pilot will not light, ensure the gap at the electrode and pilot is one-eighth in. to have a strong spark. If the gap is OK, replace the pilot. |
| 2. The pilot will not stay lit after carefully following the lighting instructions. | A. Thermocouple. | Check that the pilot flame impinges on the thermocouple. Adjust the pilot for proper flame impingement. Ensure that the thermocouple connection at the gas valve is fully inserted and tight (hand tighten plus 1/4 turn). Verify proper voltage output from the thermocouple to the valve. Place one millivolt meter lead wire on the thermocouple copper lead. Place the second lead wire on the solder button on the back of the valve (blue wire). Start the pilot and hold the valve knob in. The millivolt reading should read 8-16 millivolts. If millivolt reading is less than 8 millivolts, replace thermocouple. |
| | B. Improper gas inlet pressure. | Natural gas should be 5-10 in. w.c. LP should be 11-13 in. w.c. Verify pressure with manometer. |
| | C. Valve. | If the thermocouple is producing 8-16 millivolts, replace control valve. |
| 3. The pilot is burning, there is no burner flame, the valve knob is in the ON position, and the ON/OFF switch is in the ON position. | A. ON/OFF switch or wires. | Check the ON/OFF switch and wires for proper connections. Place the jumper wires across the terminals at the ON/OFF switch. If the burner comes on, replace the ON/OFF switch. If the ON/OFF switch is OK, place the jumper wires across the ON/OFF switch wires at the gas valve. If the burner comes on, the wires are faulty or connections are bad. |
| | B. Thermopile may not be generating sufficient millivoltage. | Check that the pilot flame impinges thermopile properly. Be sure the wire connections from the thermopile at the gas valve terminals are tight and that the thermopile is fully inserted into the pilot bracket. Check the thermopile with a millivolt meter. Take the reading at TH-TP&TP terminals of the gas valve. The meter should read 350 millivolts minimum, while holding the valve knob depressed in the pilot position, with the pilot lit, and the ON/OFF switch in the OFF position. Replace the thermopile if the reading is below the specified minimum. With the pilot in the ON position, disconnect the thermopile leads from the valve. Take a reading at the thermopile leads. The reading should be 350 millivolts minimum. Replace the thermopile if the reading is below the minimum. |

Troubleshooting (continued)

| Symptom | Possible Cause | Corrective Action |
|---|--|---|
| 3. (Continued) | C. Valve. | Turn the valve knob to the ON position. Place the ON/OFF switch in the ON position. Take a reading with a millivolt meter at the thermopile terminals. The millivolt meter should read greater than 125mV. If the reading is acceptable, and if the burner does not come on, replace the gas valve. |
| | D. Plugged burner orifice. | Check the burner orifice for stoppage. Remove stoppage. |
| | E. Wall switch or wires. | Check the wall switch and wires for proper connections. Place the jumper wires across the terminals at the wall switch. If the burner comes on, replace the wall switch. If the wall switch is OK, place the jumper wires across the wall switch wires at the gas valve. If the burner comes on, the wires are faulty or connections are bad. |
| 4. Frequent pilot outage problem. | A. Pilot flame may be too high or too low, or blowing out (high pressure), causing pilot safety to drop out. | Clean thermocouple and adjust the pilot flame for proper flame impingement. Follow lighting instructions carefully. |
| 5. The pilot and main burner extinguish while in operation. | A. No LP in tank. | Check the LP (propane) tank. Refill the fuel tank. |
| | B. Improper gas inlet pressure. | Natural gas should be 5-10 in. w.c. LP should be 11-13 in. w.c. Verify pressure with manometer. |
| | C. Inner vent pipe leaking exhaust gases back into the system. | Check venting system for damage. Replace/repair improperly assembled pipe sections. |
| | D. Glass installed improperly. | Check to ensure glass is installed properly. Replace fixed glass panel assembly. |
| | E. Thermopile or thermocouple. | Replace pilot if necessary. |
| | F. Improper vent cap installation. | Check for proper installation and freedom from debris or blockage. |
| 6. Glass soots. | A. Flame impingement. | Adjust the log set so that the flame does not excessively impinge on it. Refer to log instructions. |
| | B. Improper air shutter setting. | Refer to manual for shutter set points. Ensure that set point is correct for appliance/gas type. If unit has adjustable shutter, it may be necessary to increase shutter opening. |
| | C. Debris around air shutter. | Inspect the opening at the base of the burner. NO MATERIAL SHOULD BE PLACED IN THIS OPENING. |
| 7. Flame burns blue and lifts off burner. | A. Insufficient oxygen being supplied. | <p>Ensure that the vent cap is installed properly and free of debris. Ensure that the vent system joints are tight and have no leaks.</p> <p>Ensure that no debris has been placed at the base of, or in the area of the air holes in the center of the base pan beneath the burner.</p> <p>Ensure that the glass is tightened properly on the unit, particularly on top corners.</p> |

B. IntelliFire Plus™ Ignition System

| Symptom | Possible Cause | Corrective Action |
|--|---|--|
| 1. Pilot won't light. The ignitor/module makes noise, but no spark. | A. Incorrect wiring. | Verify "S" wire (white) for sensor and "I" wire (orange) for ignitor are connected to correct terminals on module and pilot assembly. |
| | B. Loose connections or electrical shorts in the wiring. | Verify no loose connections or electrical shorts in wiring from module to pilot assembly. Verify connections underneath pilot assembly are tight; also verify igniter and flame sense wires are not grounding out to metal chassis, pilot burner, pilot enclosure, mesh screen if present, or any other metal object. |
| | C. Ignitor gap is too large. | Verify gap of igniter to right side of pilot hood. The gap should be approximately .17 in. or 1/8 in. (3 mm). |
| 2. Pilot won't light, there is no noise or spark. | A. No power, transformer installed incorrectly, or depleted batteries. | Verify that transformer is installed and plugged into module. Check voltage of transformer at connection to module. Acceptable readings of a good transformer are between 6.4 and 6.6 volts AC. Battery power supply voltage must be at least 4 volts. If below 4 volts, replace batteries. |
| | B. A shorted or loose connection in wiring configuration or wiring harness. | Remove and reinstall the wiring harness that plugs into module. Verify there is a tight fit. Verify pilot assembly wiring to module. Remove and verify continuity of each wire in wiring harness. Replace any damaged components. |
| | C. Improper wall switch wiring. | Verify that 110/VAC power is "ON" to junction box. |
| | D. Module not grounded. | Verify black ground wire from module wire harness is grounded to metal chassis of appliance. |
| 3. Pilot sparks, but Pilot will not light. | A. Gas supply. | Verify that incoming gas line ball valve is "open". Verify that inlet pressure reading is within acceptable limits. |
| | B. Ignitor gap is too large. | Verify gap of igniter to right side of pilot hood. The gap should be approximately .17 in. or 1/8 in. (3 mm). |
| | C. Module is not grounded. | Verify module is securely grounded to metal chassis of appliance. |
| | D. Pilot valve solenoid | Verify that 1.5 to 1.8 VDC is supplied to pilot solenoid from module. If below 1.5 volts, replace module. If 1.5 volts or greater, replace valve. |
| 4. Pilot lights but continues to spark, and main burner will not ignite. (If the pilot continues to spark after the pilot flame has been lit, flame rectification has not occurred.) | A. A shorted or loose connection in flame sensing rod. | Verify all connections to wiring diagram in manual. Verify connections underneath pilot assembly are tight. Verify flame sense or igniter wires are not grounding out to metal chassis, pilot burner, pilot enclosure or screen if present, or any other metal object. |
| | B. Poor flame rectification or contaminated flame sensing rod. | With fixed glass assembly in place, verify that flame is engulfing flame sensing rod on left side of pilot hood. Flame sensing rod should glow shortly after ignition. With a multi-meter, verify that current in series between module and sense lead is at least 0.14 microamps. Verify correct pilot orifice is installed and gas inlet is set to pressure specifications. Polish flame sensing rod with fine steel wool to remove any contaminants that may have accumulated on flame sensing rod. |
| | C. Module is not grounded. | Verify module is securely grounded to metal chassis of appliance. Verify that wire harness is firmly connected to the module. |
| | D. Damaged pilot assembly or contaminated flame sensing rod. | Verify that ceramic insulator around the flame sensing rod is not cracked, damaged, or loose. Verify connection from flame sensing rod to white sensor wire. Polish flame sensing rod with fine steel wool to remove any contaminants that may have accumulated on flame sensing rod. Verify continuity with a multi-meter with ohms set at lowest range. Replace pilot if any damage is detected. |

16 Reference Materials

A. Appliance Dimension Diagram

Dimensions are actual appliance dimensions. Use for reference only. For framing dimensions and clearances refer to Section 5.

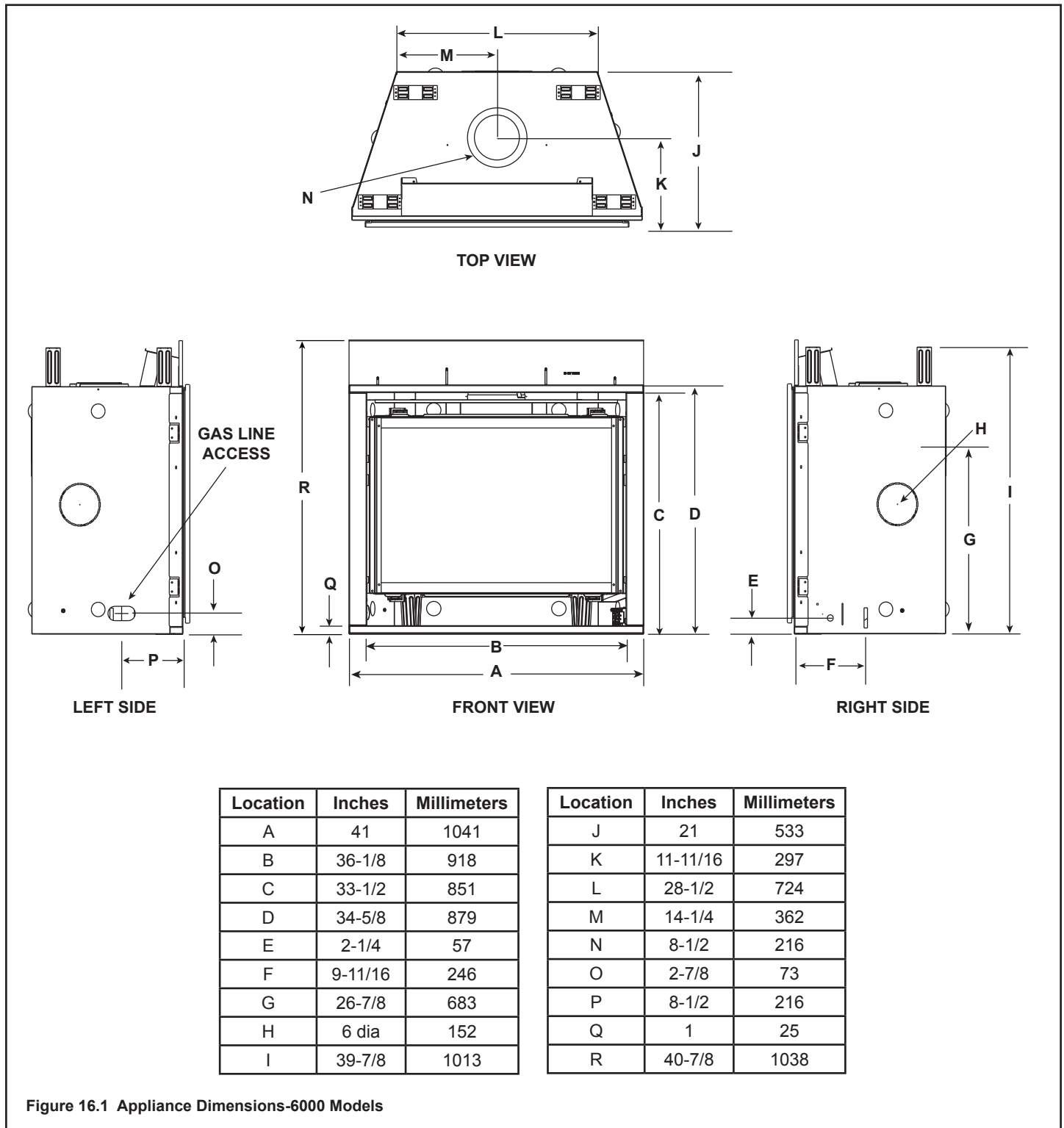
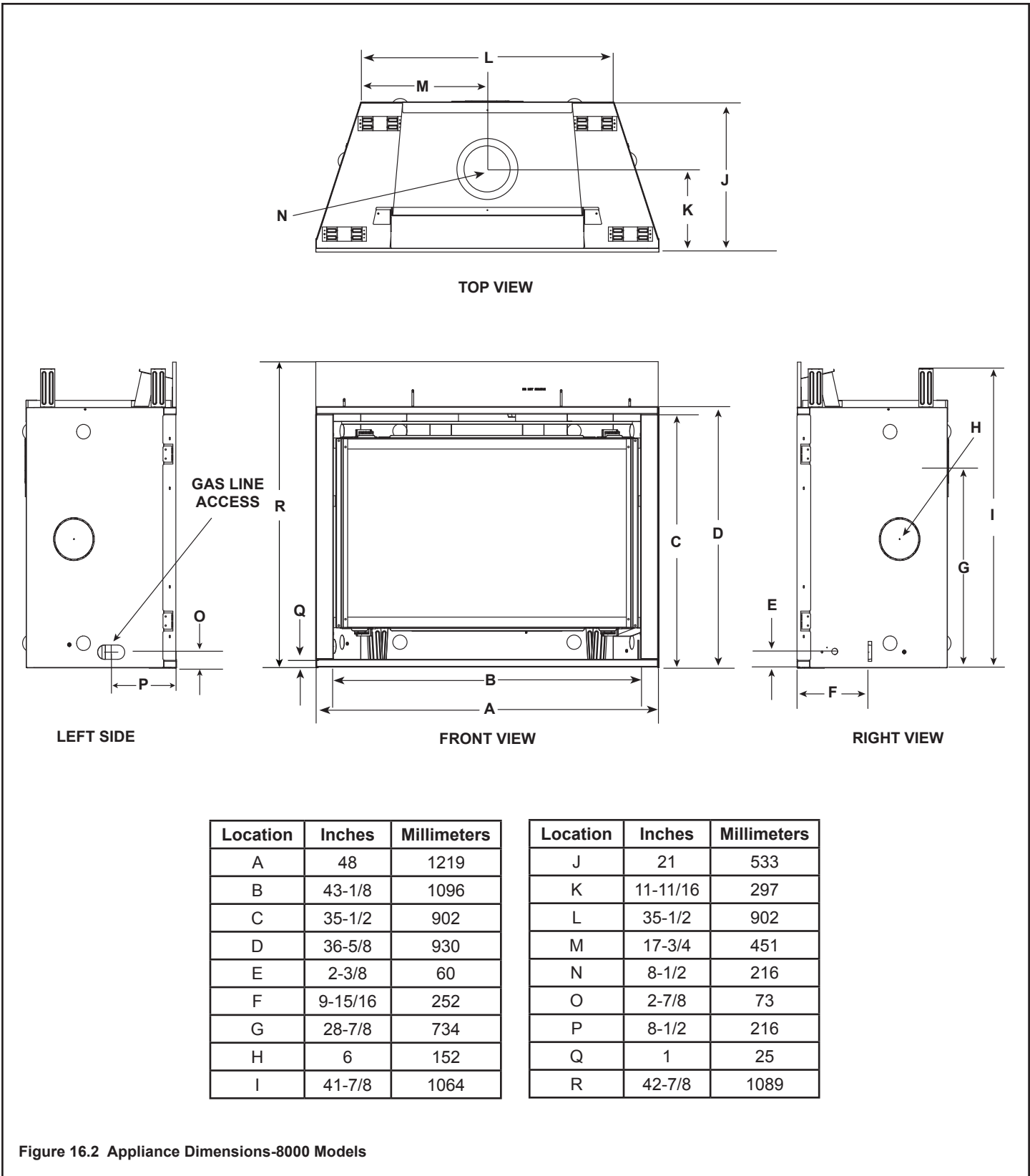
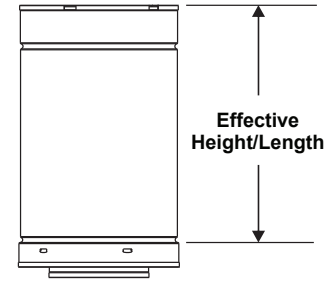


Figure 16.1 Appliance Dimensions-6000 Models

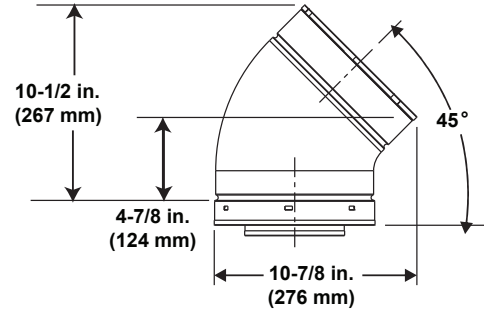


B. Vent Components Diagrams

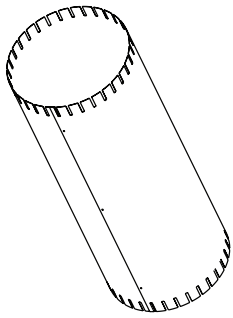


DVP Pipe (see chart)

| Pipe | Effective Length | |
|--------|------------------|-------------|
| | Inches | Millimeters |
| DVP4 | 4 | 102 |
| DVP6 | 6 | 152 |
| DVP12 | 12 | 305 |
| DVP24 | 24 | 610 |
| DVP36 | 36 | 914 |
| DVP48 | 48 | 1219 |
| DVP6A | 3 to 6 | 76 to 152 |
| DVP12A | 3 to 12 | 76 to 305 |

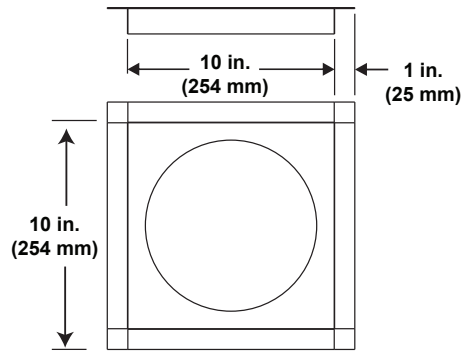


DVP45 (45° Elbow)

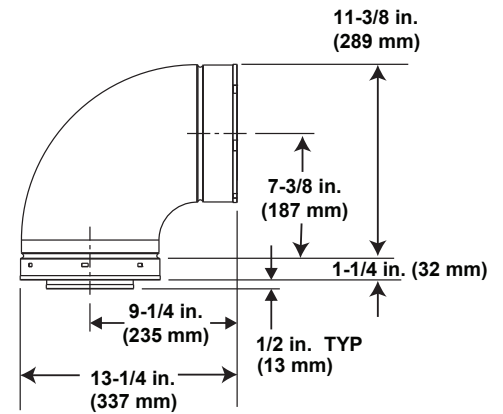


Assembled
Height: 24 in./610 mm
Diameter: 10 in./254 mm

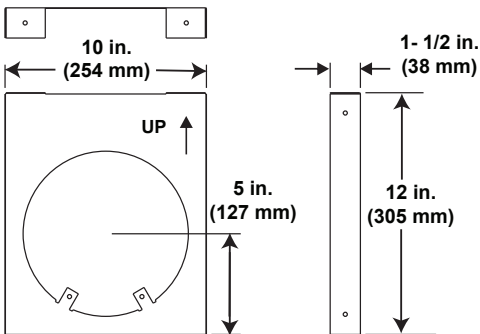
DVP-AS2



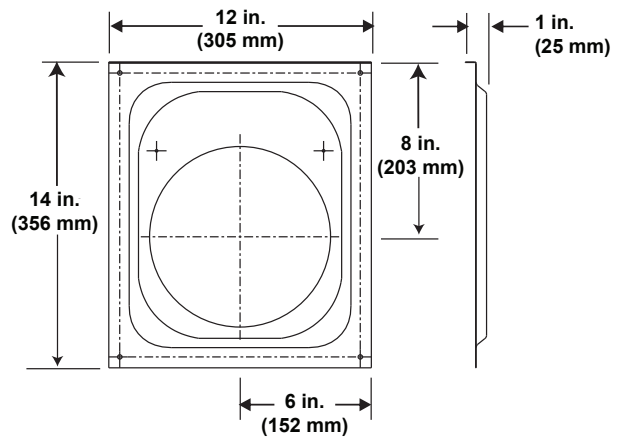
DVP-FS (Ceiling Firestop)



DVP90ST (90° Elbow)



DVP-HVS (Vent Support)

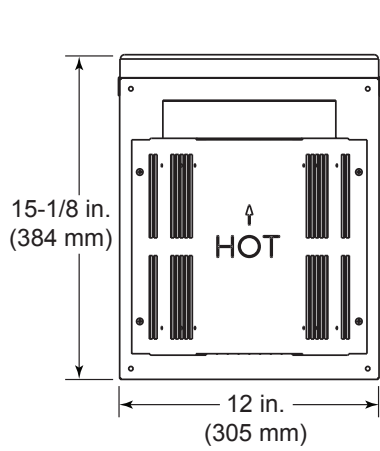


DVP-WS (Wall Shield Firestop)

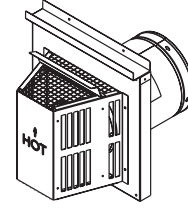
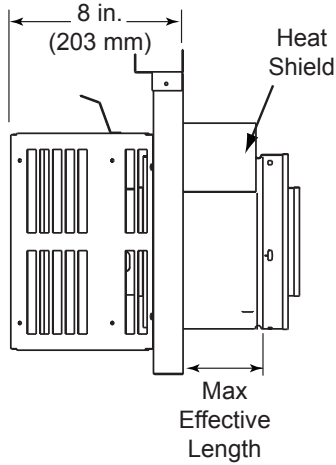
Figure 16.3 DVP vent components

B. Vent Components Diagrams (continued)

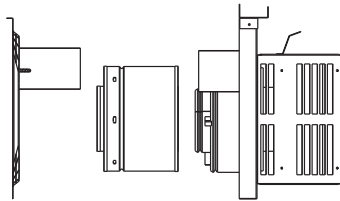
Note: Heat shields MUST overlap by a minimum of 1-1/2 in. (38 mm). **The heat shield is designed to be used on a wall 4 in. to 7-1/4 in. (102 mm to 184 mm) thick.** If wall thickness is less than 4 in. (102 mm) the existing heat shields must be field trimmed. If wall thickness is greater than 7-1/4 in. (184 mm) a DVP-HSM-B will be required.



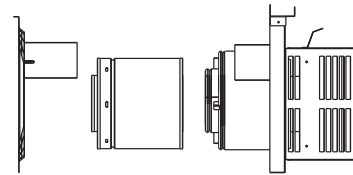
DVP-TRAP
Horizontal Termination Cap



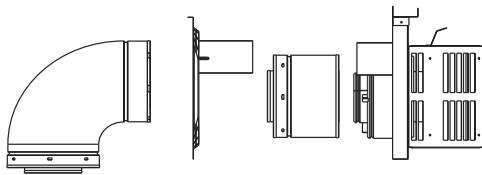
| Term Cap | Minimum Effective Length | Maximum Effective Length |
|----------|--------------------------|--------------------------|
| Trap1 | 3-1/8 in. | 4-5/8 in. |
| | 79 mm | 117 mm |
| Trap2 | 5-3/8 in. | 9-3/8 in. |
| | 137 mm | 238 mm |



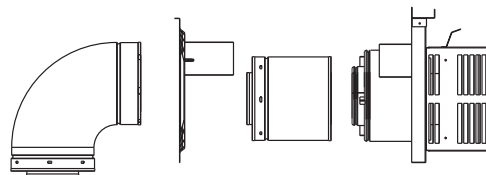
DVP-TRAP1



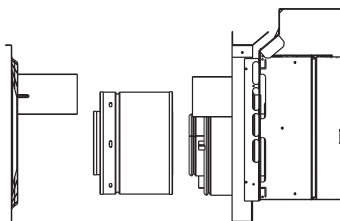
DVP-TRAP2



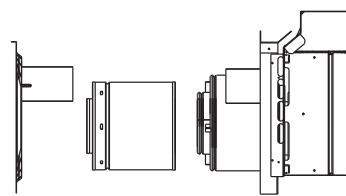
DVP-TRAPK1



DVP-TRAPK2



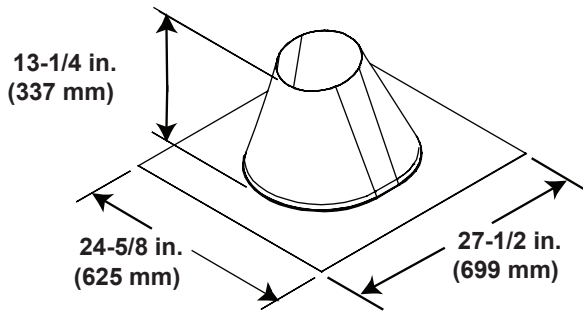
DVP-HPC1



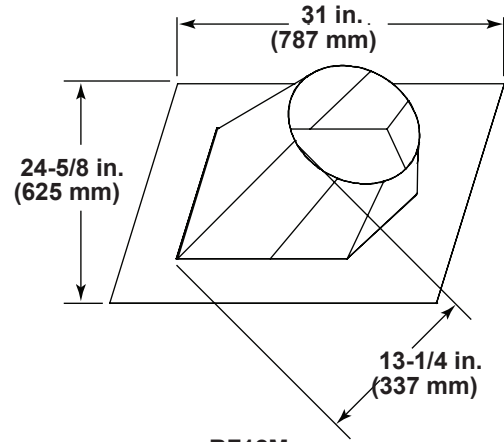
DVP-HPC2

Figure 16.4 DVP vent components

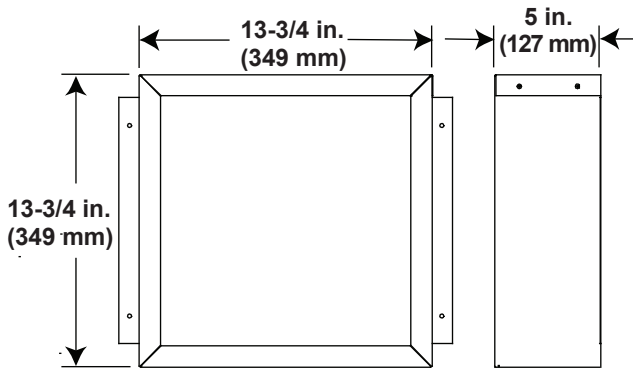
B. Vent Components Diagrams (continued)



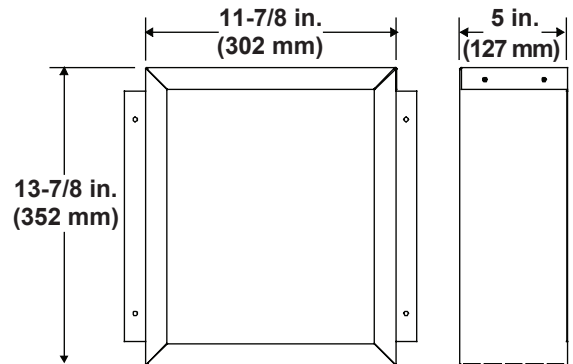
RF6M
Roof Flashing Multi-pak



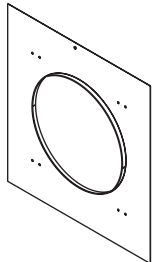
RF12M
Roof Flashing Multi-pak



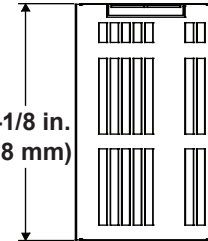
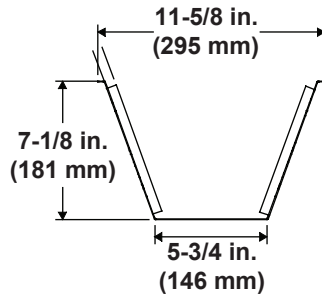
BEK
Trap Cap Brick Extension



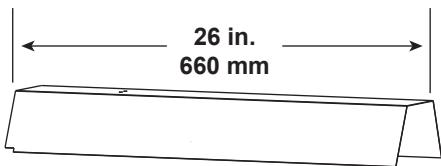
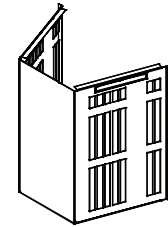
DVP-BEK2
DVP-HPC Cap Brick Extension



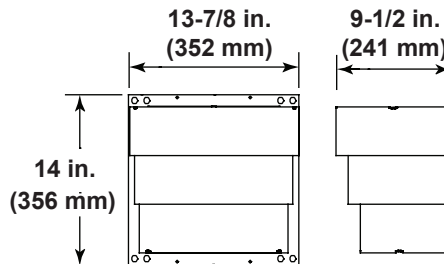
DVP-TRAPFL
Flashing



COOL-ADDM
Cap Shield



DVP-HSM-B
Extended Heat Shield



DRC-RADIUS
Cap Shield

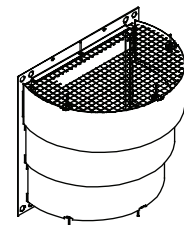
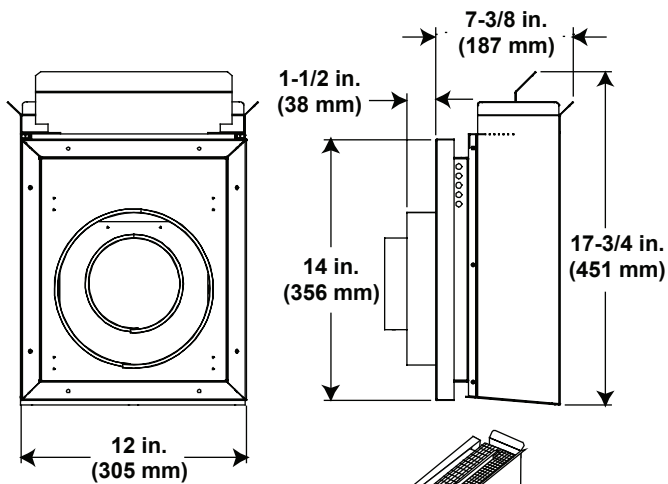
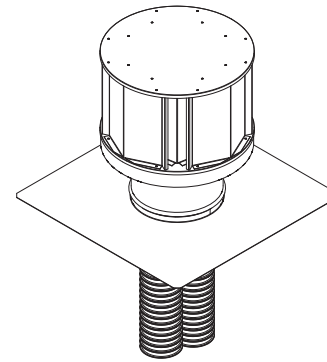


Figure 16.5 DVP vent components

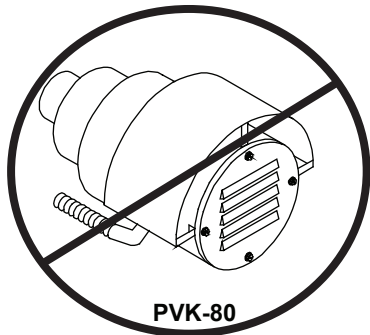
B. Vent Components Diagrams (continued)



DVP-TB1
Basement Vent Cap

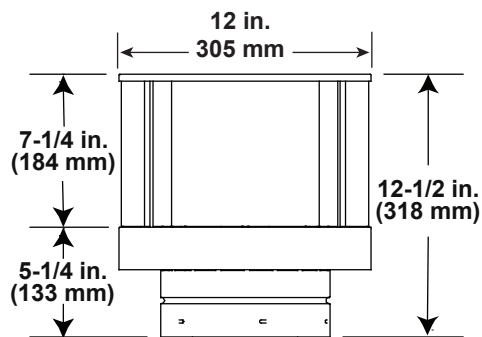


LINK-DV-30B
(LINK-DV-30)

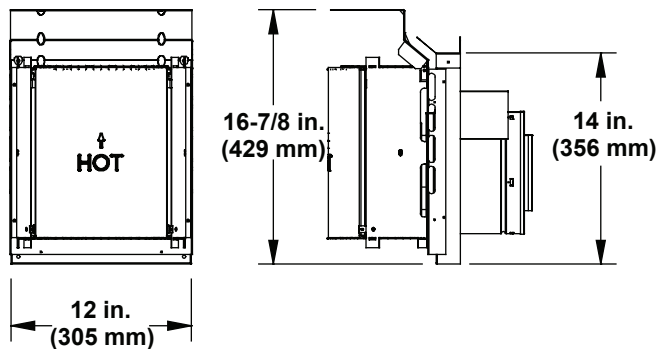


PVK-80

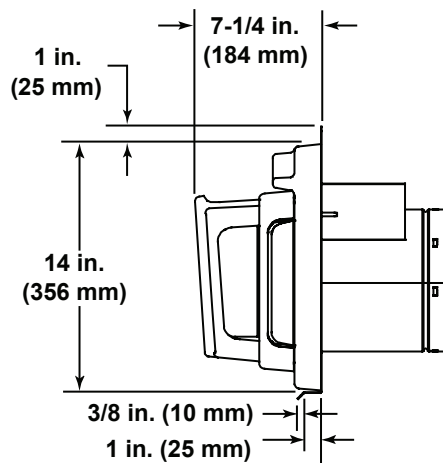
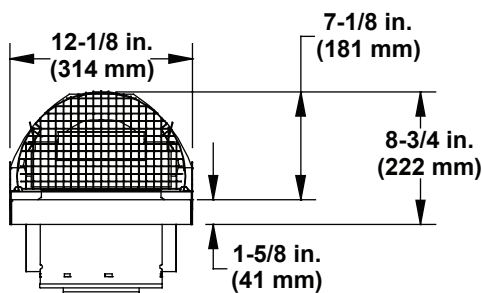
(Not compatible with Intellifire Plus™.)
(For use with IPI and DSI appliances only.)



DVP-TVHW
Vertical Termination Cap (Highwind)

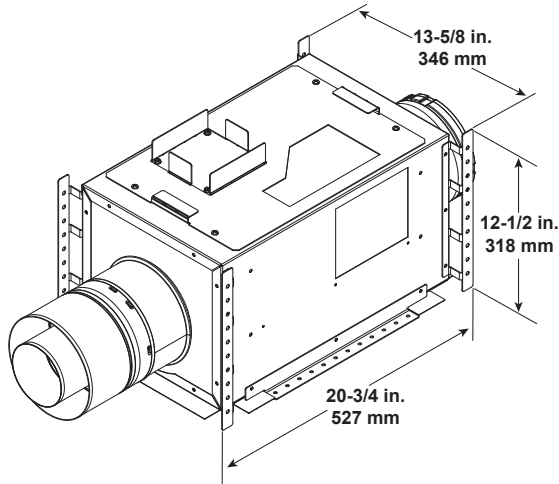


DVP High Performance Cap



DVP-FBHT
Fire Brick Termination Cap

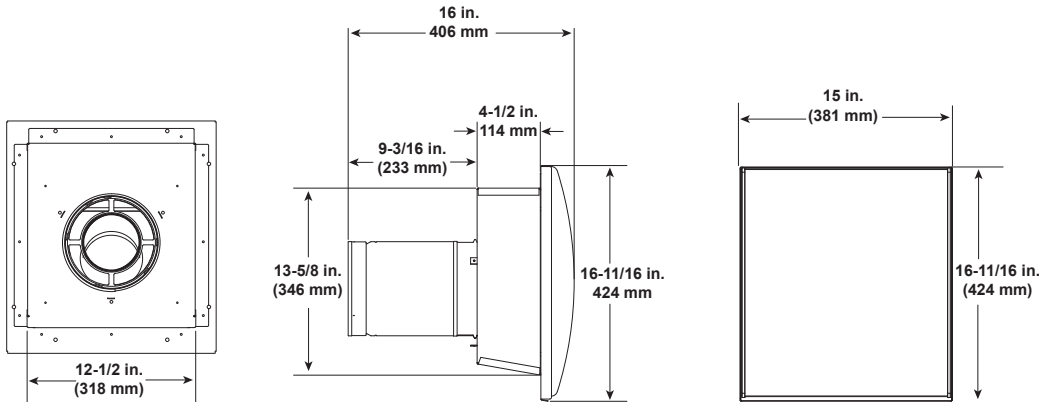
Figure 16.6 DVP vent components



PVI-SLP
Power Vent Inline

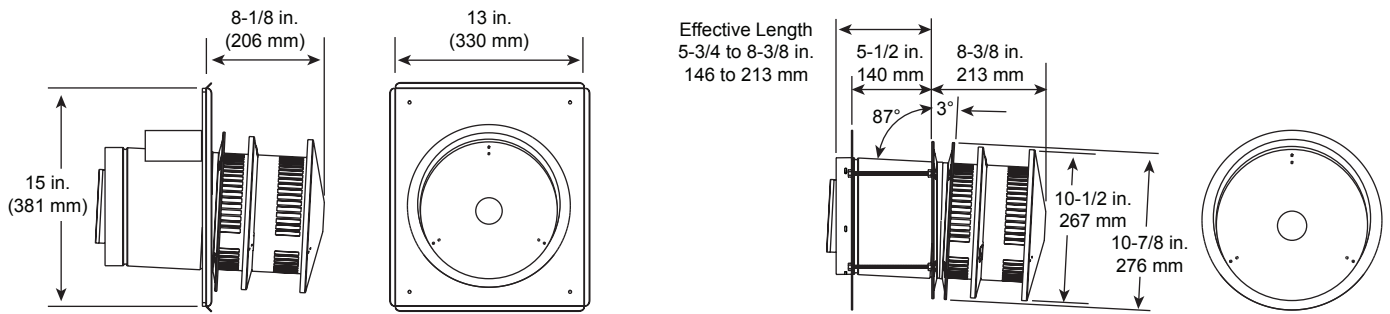
| Optional Wire Harness | |
|-------------------------|-------------|
| DESCRIPTION | PART NUMBER |
| 10 ft. PV Wire Harness | PVI-WH10 |
| 20 ft. PV Wire Harness | PVI-WH20 |
| 40 ft. PV Wire Harness | PVI-WH40 |
| 60 ft. PV Wire Harness | PVI-WH60 |
| 80 ft. PV Wire Harness | PVI-WH80 |
| 100 ft. PV Wire Harness | PVI-WH100 |

Note: Wire harnesses required to power the PVI-SLP connect to the appliance and are ordered separately from PVI-SLP. Contact your dealer to order.



SLP-LPC
SLP Low Profile Cap

B. Vent Components Diagrams (continued)



⚠ WARNING

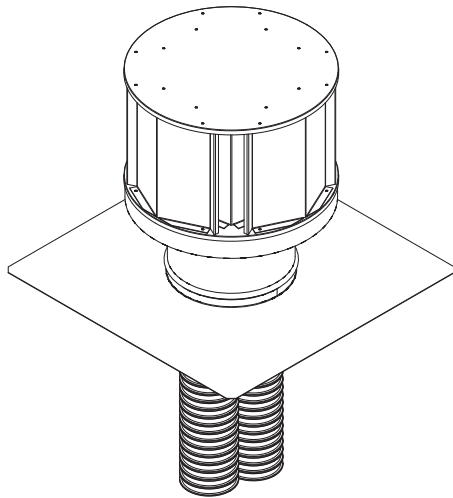


Fire Risk.

- When using DVP-HRC-SS and DVP-HRC-ZC-SS termination caps on top vented fireplaces, a 6 inch minimum vertical vent section is required before installing first elbow.

**DVP-HRC-SS
DVP-HRC-ZC-SS
HORIZONTAL TERMINATION CAP**

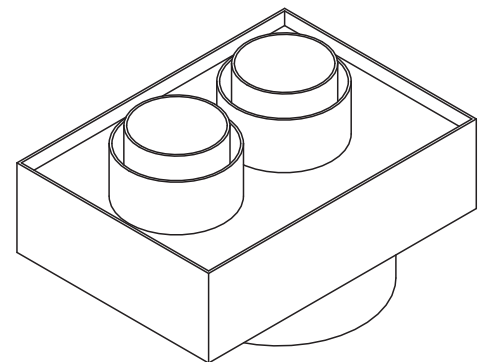
COAXIAL to COLINEAR VENTING



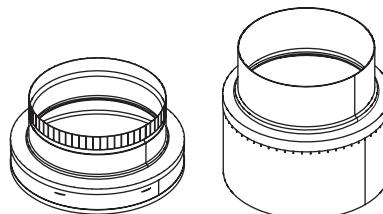
**LINK-DV30B
Flex Liner Kit**



**768-380A
Stainless Steel Flex Pipe**



**DV-46DVA-GCL
Coaxial/Colinear Appliance Connector**



**DVP-2SL
Adapter**

Figure 16.7 DVP vent components

B. Vent Components Diagrams (continued)

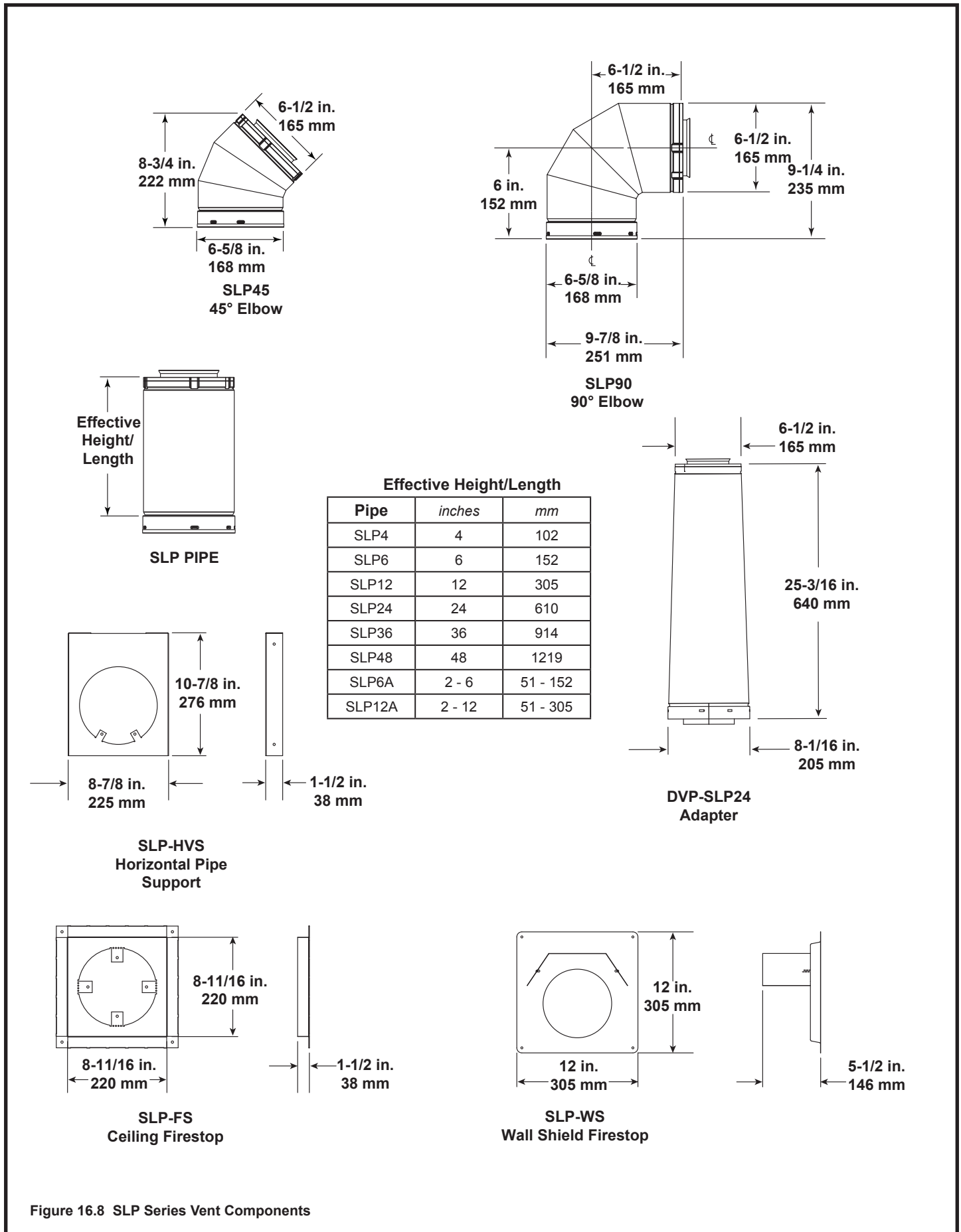
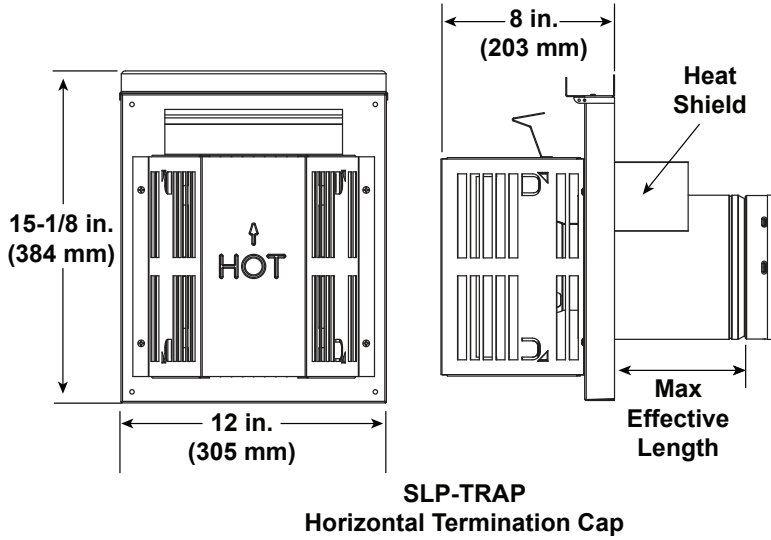


Figure 16.8 SLP Series Vent Components

B. Vent Components Diagrams (continued)

Note: Heat shields **MUST** overlap by a minimum of 1-1/2 in. (38 mm). The heat shield is designed to be used on a wall 4 in. to 7-1/4 in. (102 mm to 184 mm) thick. If wall thickness is less than 4 in. (102 mm) the existing heat shields must be field trimmed. If wall thickness is greater than 7-1/4 in. (184 mm) a DVP-HSM-B will be required.



| Term Cap | Minimum Effective Length | Maximum Effective Length |
|----------|--------------------------|--------------------------|
| Trap1 | 3-1/8 in. | 4-3/4 in. |
| | 79 mm | 121 mm |
| Trap2 | 5-1/4 in. | 9-1/4 in. |
| | 133 mm | 235 mm |

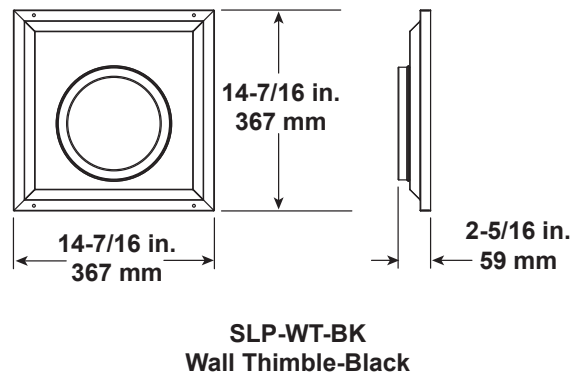
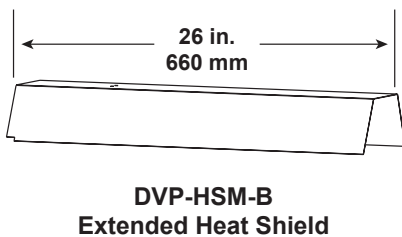
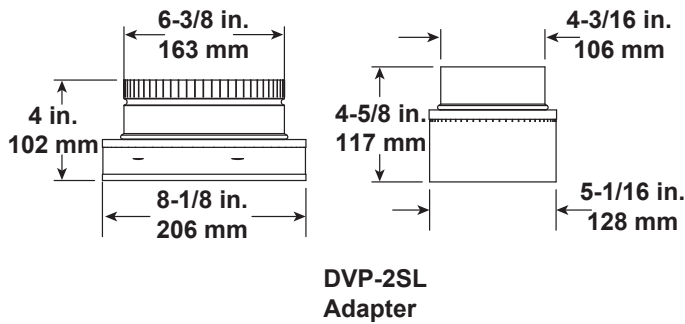
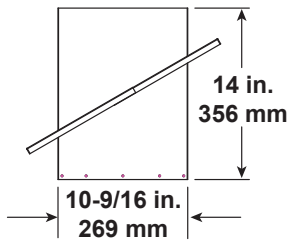
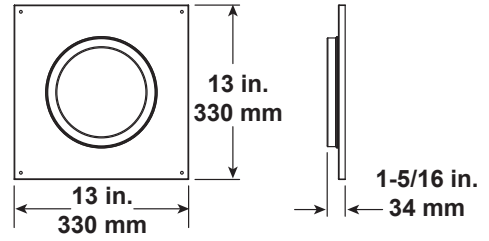


Figure 16.9 SLP Series Vent Components

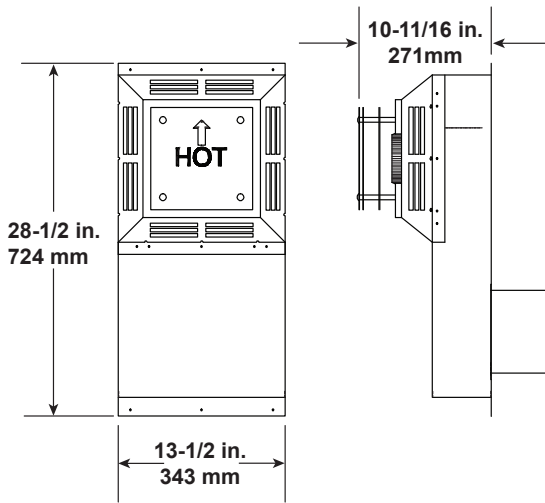
B. Vent Components Diagrams (continued)



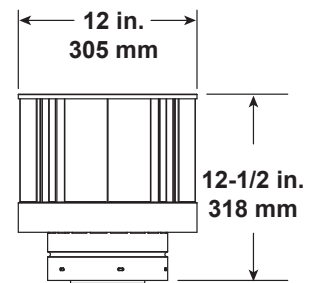
SLP-CCS-BK
Cathedral Ceiling
Support Box-Black



SLP-DCF-BK
Ceiling Firestop
Black



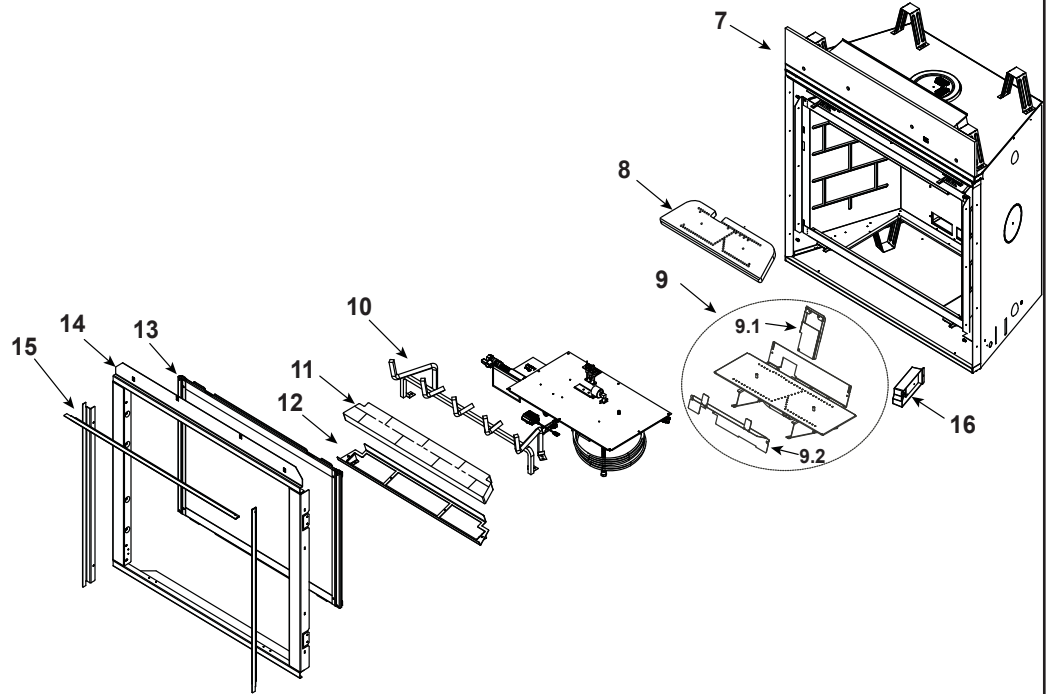
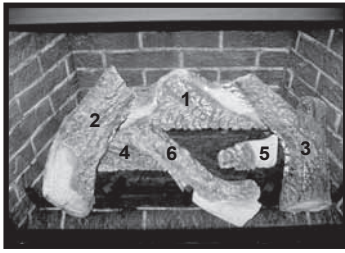
SLK-SNKD
Snorkel
Termination Cap



SLP-TVHW
Vertical
Termination Cap

Figure 16.10 SLP Series Vent Components

Log Set Assembly



IMPORTANT: THIS IS DATED INFORMATION. When requesting service or replacement parts for your appliance please provide model number and serial number. All parts listed in this manual may be ordered from an authorized dealer.



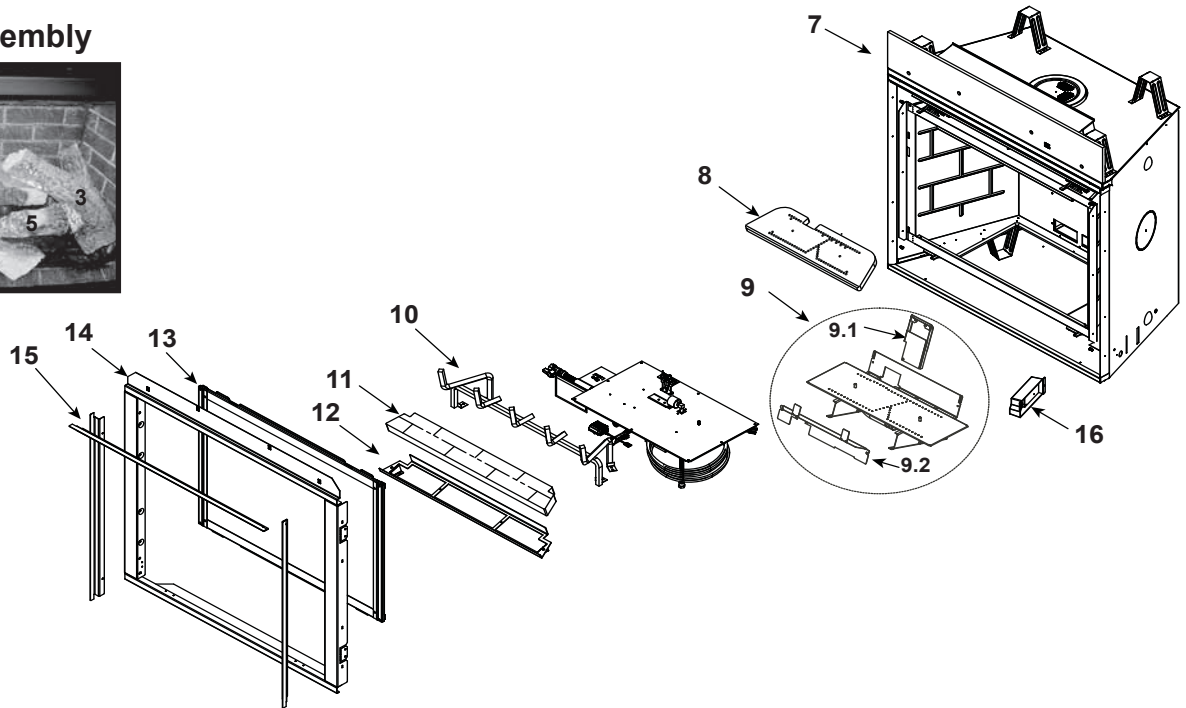
**Stocked
at Depot**

| ITEM | DESCRIPTION | COMMENTS | PART NUMBER | |
|------|-------------------------------------|----------|----------------|---|
| | Log Set Assembly | | LOGS-6C | Y |
| 1 | Log 1 | | SRV2164-701 | |
| 2 | Log 2 | | SRV2164-702 | |
| 3 | Log 3 | | SRV2164-703 | |
| 4 | Log 4 | | SRV2164-704 | |
| 5 | Log 5 | | SRV2164-705 | |
| 6 | Log 6 | | SRV2164-706 | |
| 7 | Insulation Board | | 2166-136 | |
| 8 | Burner Top | | SRV2166-100 | Y |
| 9 | Burner NG | | 2164-007 | Y |
| | Burner LP | | 2164-008 | Y |
| 9.1 | Air Scoop | | 2170-188 | |
| 9.2 | Pilot Cover | | 2170-181 | |
| 10 | Log Grate | | 2166-104 | |
| 11 | Base Refractory | | SRV6BASE-STRAT | |
| 12 | Refractory Basket | | 2166-108 | |
| 13 | Glass Door Assembly | | GLA-6000G | Y |
| 14 | Surround Assembly | | 2166-019 | |
| 15 | Finishing Strips (Sold as kit only) | | SRVFS-6 | |
| 16 | Junction Box | | 4021-013 | Y |

Additional service part numbers appear on following page.

9/12

Log Set Assembly



IMPORTANT: THIS IS DATED INFORMATION. When requesting service or replacement parts for your appliance please provide model number and serial number. All parts listed in this manual may be ordered from an authorized dealer.



Stocked at Depot

| ITEM | DESCRIPTION | COMMENTS | PART NUMBER | Stocked at Depot |
|------|-------------------------------------|----------|----------------|------------------|
| | Log Set Assembly | | LOGS-8C | Y |
| 1 | Log 1 | | SRV2168-701 | |
| 2 | Log 2 | | SRV2168-702 | |
| 3 | Log 3 | | SRV2168-703 | |
| 4 | Log 4 | | SRV2168-704 | |
| 5 | Log 5 | | SRV2168-705 | |
| 6 | Log 6 | | SRV2168-706 | |
| 7 | Insulation Board | | 2170-136 | |
| 8 | Burner Top | | SRV2170-100 | Y |
| 9 | Burner NG | | 2168-007 | Y |
| | Burner LP | | 2168-008 | Y |
| 9.1 | Air Scoop | | 2170-188 | |
| 9.2 | Pilot Cover | | 2170-181 | |
| 10 | Log Grate | | 2170-104 | |
| 11 | Base Refractory | | SRV8BASE-STRAT | |
| 12 | Refractory Basket | | 2170-108 | |
| 13 | Glass Door Assembly | | GLA-950TR | Y |
| 14 | Surround Assembly | | 2170-019 | |
| 15 | Finishing Strips (Sold as kit only) | | SRVFS-8 | |
| 16 | Junction Box | | 4021-013 | Y |

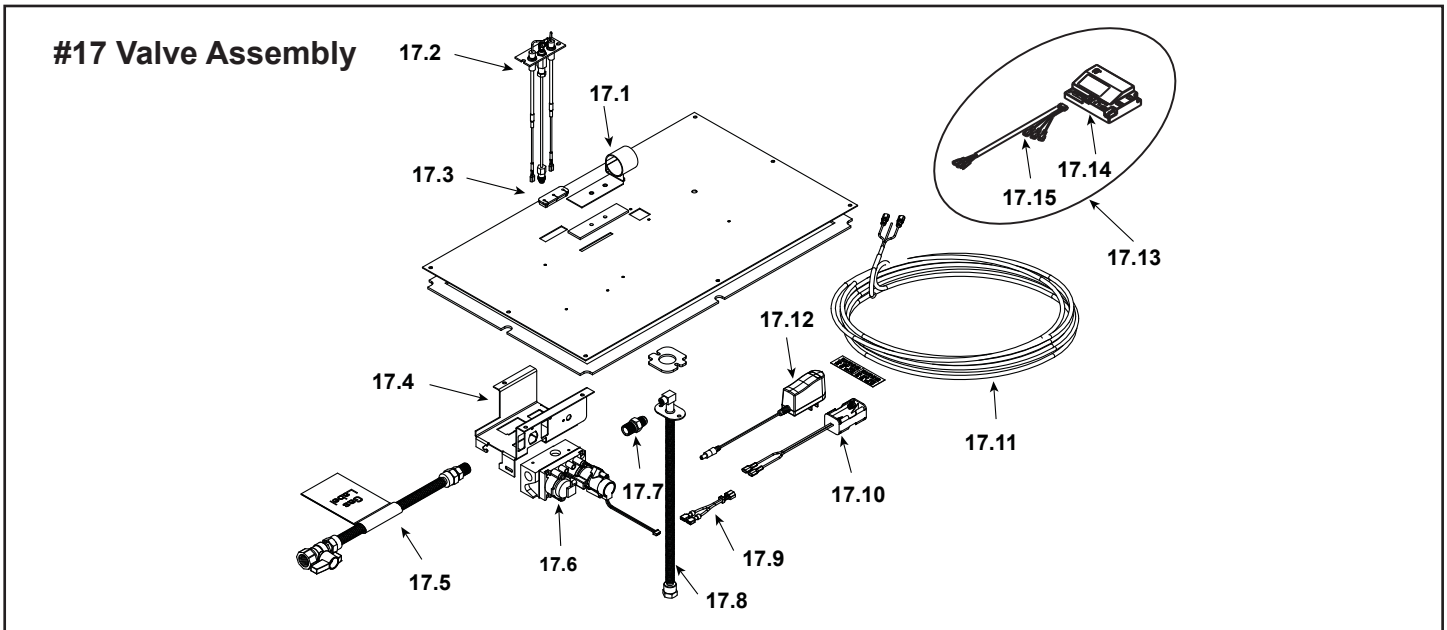
Additional service part numbers appear on following page.

9/12

No one builds a better fire

Beginning Manufacturing Date: Aug 2009

Ending Manufacturing Date: Active



IMPORTANT: THIS IS DATED INFORMATION. When requesting service or replacement parts for your appliance please provide model number and serial number. All parts listed in this manual may be ordered from an authorized dealer.



Stocked at Depot

| ITEM | DESCRIPTION | COMMENTS | PART NUMBER | Stocked at Depot |
|-------|--------------------------|-----------|-------------|------------------|
| 17.1 | Shutter Bracket Assembly | | 2166-157 | Y |
| 17.2 | Pilot Assembly NG | | 2166-370 | Y |
| | Pilot Assembly LP | | 2166-371 | Y |
| | Pilot Tube | | SRV485-301 | Y |
| 17.3 | 3-hole Grommet | | 2118-420 | |
| 17.4 | Valve Bracket | | 2118-104 | |
| 17.5 | Flex Ball Valve Assembly | | 302-320A | Y |
| 17.6 | Valve NG | | 2166-302 | Y |
| | Valve LP | | 2166-303 | Y |
| 17.7 | Male Connector | Pkg of 5 | 303-315/5 | Y |
| 17.8 | Bulkhead W/Tube | | 2166-119 | Y |
| 17.9 | Jumper Wire | | 2187-198 | Y |
| 17.10 | Battery Pack ** | | 2166-323 | Y |
| 17.11 | Thermostat Wire Assembly | | 2118-170 | Y |
| 17.12 | Transformer | | 2166-305 | Y |
| 17.13 | Control Assembly | | 2164-030 | Y |
| 17.14 | Module | | 2166-307 | Y |
| 17.15 | Wire Harness | | 2166-304 | Y |
| | Burner Orifice NG (#37C) | 6000C-IPI | 582-837 | Y |
| | Burner Orifice LP (#52C) | | 582-852 | Y |
| | Burner Orifice NG (#33C) | 8000C-IPI | 582-833 | Y |
| | Burner Orifice LP (#50C) | | 582-850 | Y |

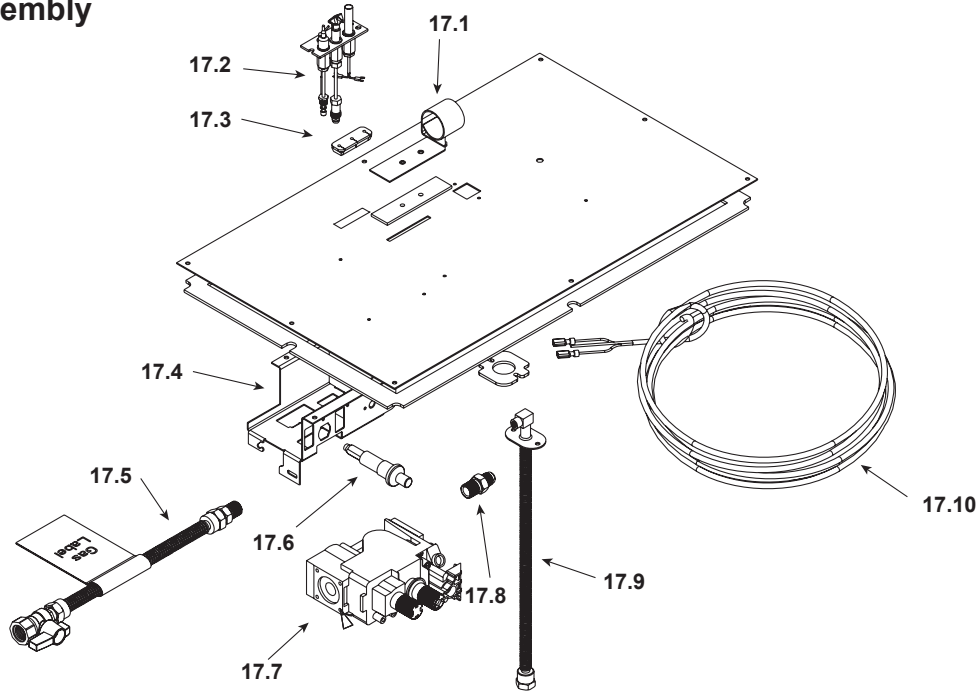
**Fuse for battery pack can be sourced locally, not a warranty item. Specs are 500mA~10A 3/4" long

Additional service part numbers appear on following page.

No one builds a better fire

Beginning Manufacturing Date: Aug 2009
Ending Manufacturing Date: Jan 2010

#17 Valve Assembly



IMPORTANT: THIS IS DATED INFORMATION. When requesting service or replacement parts for your appliance please provide model number and serial number. All parts listed in this manual may be ordered from an authorized dealer.



**Stocked
at Depot**

| ITEM | DESCRIPTION | COMMENTS | PART NUMBER | |
|-------|--------------------------|--------------|-----------------|---|
| 17.1 | Shutter Bracket Assembly | | 2166-157 | Y |
| 17.2 | Pilot Assembly NG | | 2103-010 | Y |
| | Pilot Assembly LP | | 2103-011 | Y |
| | Pilot Tube | | SRV485-301 | Y |
| | Thermopile | | 2103-512 | Y |
| | Thermocouple | | 446-511 | Y |
| 17.3 | 3-hole Grommet | | 2118-420 | |
| 17.4 | Valve Bracket | | 2118-104 | |
| 17.5 | Flex Ball Valve Assembly | | 302-320A | Y |
| 17.6 | Piezo Ignitor | | 291-513 | Y |
| 17.7 | Valve NG | | 2166-300 | Y |
| | Valve LP | | 2166-301 | Y |
| 17.8 | Male Connector | Pkg of 5 | 303-315/5 | Y |
| 17.9 | Bulkhead W/Tube | | 2166-119 | Y |
| 17.10 | Thermostat Wire Assembly | | 2045-024 | Y |
| | Burner Orifice NG (#37C) | 6000C | 582-837 | Y |
| | Burner Orifice LP (#52C) | | 582-852 | Y |
| | Burner Orifice NG (#33C) | 8000C | 582-833 | Y |
| | Burner Orifice LP (#50C) | | 582-850 | Y |
| | Wire Assembly | | 040-557A | |

Additional service part numbers appear on following page.

No one builds a better fire

Beginning Manufacturing Date: Aug 2009
Ending Manufacturing Date: Active

IMPORTANT: THIS IS DATED INFORMATION. When requesting service or replacement parts for your appliance please provide model number and serial number. All parts listed in this manual may be ordered from an authorized dealer.



**Stocked
at Depot**

| ITEM | DESCRIPTION | COMMENTS | PART NUMBER | |
|---------------------------------------|--|-----------|-------------|---|
| | Exhaust Shield | | 385-105 | |
| | Flue Restrictor | | 385-128 | |
| | Gasket Assembly Contains Vent, Burner Neck, Valve Plate, LED and Adjustable Air Shutter Gaskets | | 2166-081 | |
| | Glass Latch Support | Pkg of 2 | 33858/2 | Y |
| | Mineral Wool | | 050-721 | |
| | Touch Up Paint | | TUP-GBK-12 | |
| | | | | |
| | | | | |
| | | | | |
| | | | | |
| | | | | |
| | | | | |
| | | | | |
| | | | | |
| | | | | |
| | | | | |
| | | | | |
| | | | | |
| | | | | |
| Standing Pilot Conversion Kits | | | | |
| | Conversion Kit NG | 6000C | NGKS-6C | Y |
| | Conversion Kit LP | | LPKS-6C | Y |
| | Conversion Kit NG | 8000C | NGKS-8C | Y |
| | Conversion Kit LP | | LPKS-8C | Y |
| | Regulator NG | | NGK-SITV-50 | Y |
| | Regulator LP | | LPK-SITV-50 | Y |
| | Pilot Orifice NG | | 2103-116 | Y |
| | Pilot Orifice LP | | 2103-117 | Y |
| IPI Conversion Kits | | | | |
| | Conversion Kit NG | 6000C-IPI | NGKI-6C | Y |
| | Conversion Kit LP | | LPKI-6C | Y |
| | Conversion Kit NG | 8000C-IPI | NGKI-8C | Y |
| | Conversion Kit LP | | LPKI-8C | Y |
| | Regulator NG | | NGK-DXV-50 | Y |
| | Regulator LP | | LPK-DXV-50 | Y |
| | Pilot Orifice NG | | 593-528 | Y |
| | Pilot Orifice LP | | 593-527 | Y |

